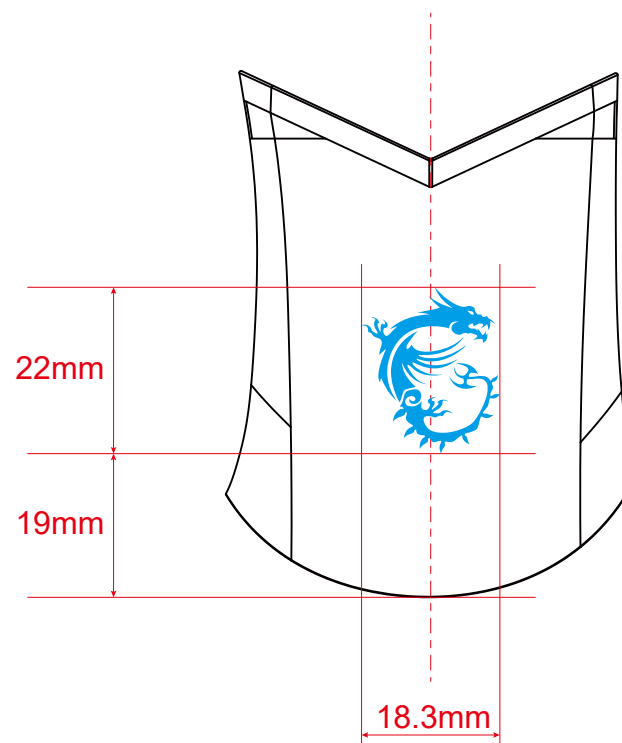


01 LOGO位置上移

02



LOGO
雷雕至透光

msi

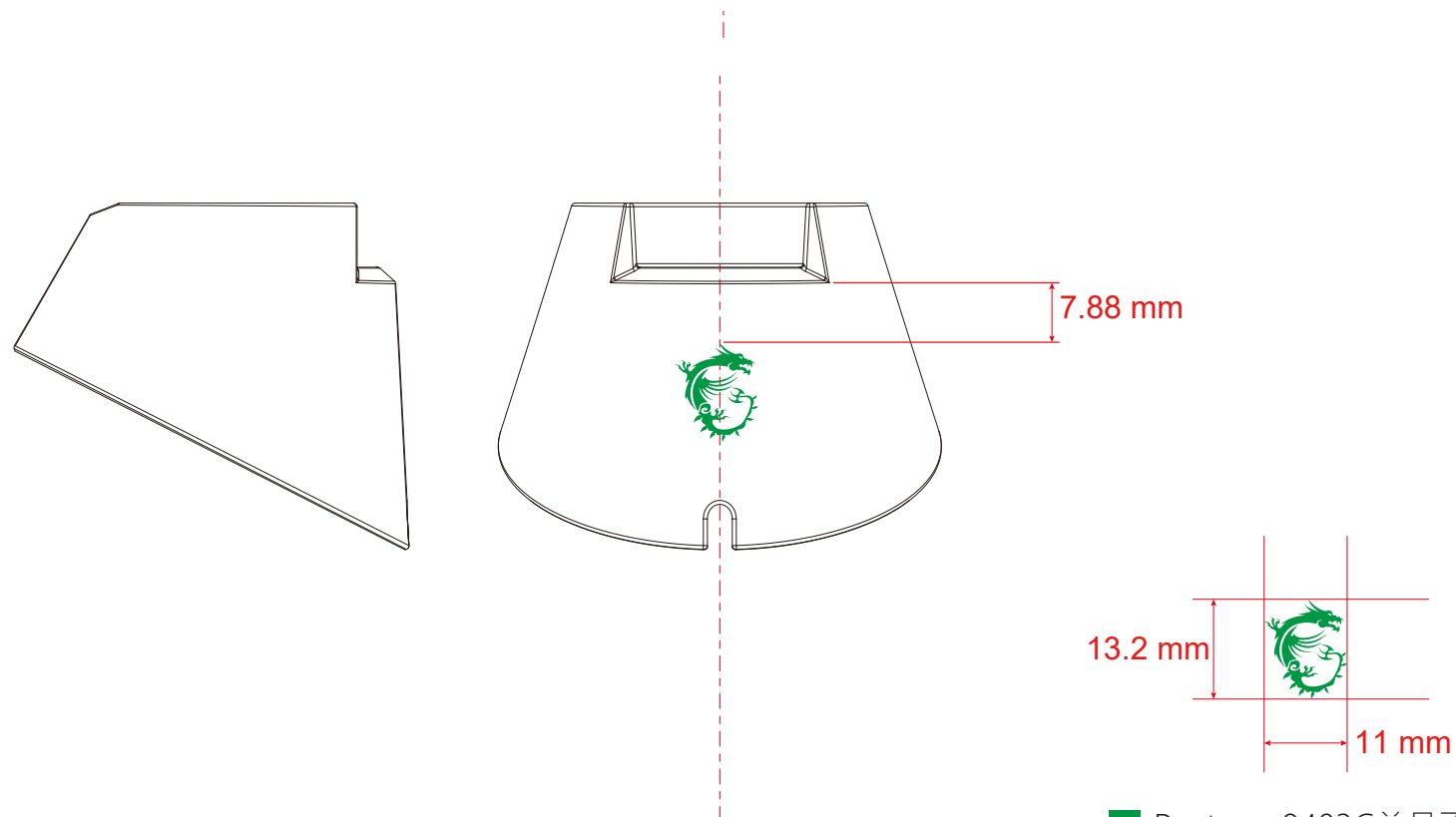
Designed Stone Sun	Date 2022/01/18	Sheet 1 of 5	Revision 01	Checked
File Name GM31_Artwork	Vendor	Unit mm	Approved	
Description GM31_Artwork		Scale 1:1	PM/HW/Sales	

PROGRAM

GM31

TITLE

LOGO Laser Engraving



■ Pantone 8403C並且不要偏紅

msi

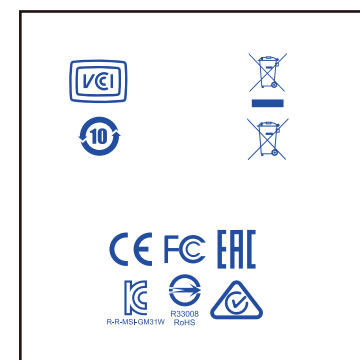
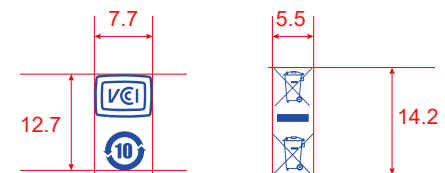
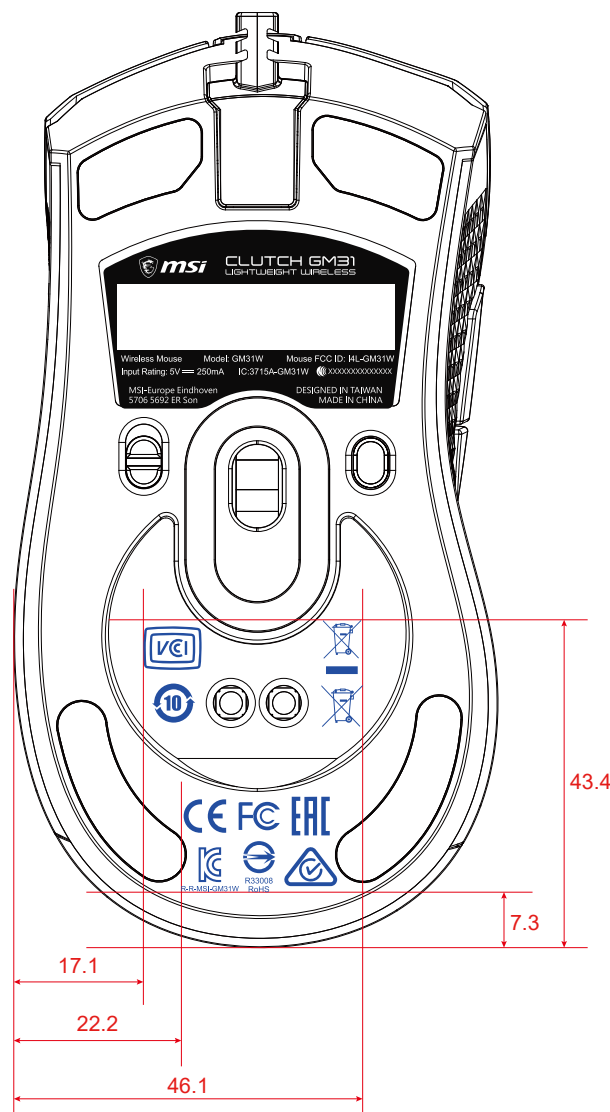
Designed Stone Sun	Date 2022/01/18	Sheet 2 of 5	Revision 00	Checked
File Name GM31_Artwork	Vendor	Unit mm	Approved	
Description GM31_Artwork		Scale 1 : 1	PM/HW/Sales	

PROGRAM

GM31

TITLE

Charger LOGO Print

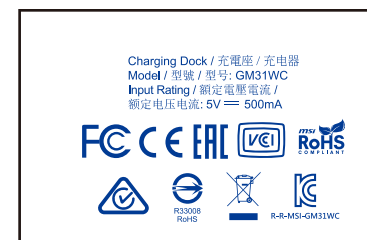
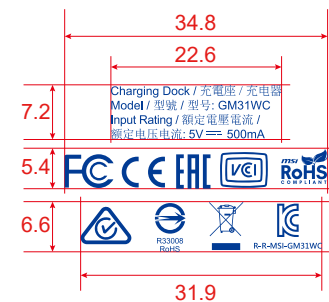
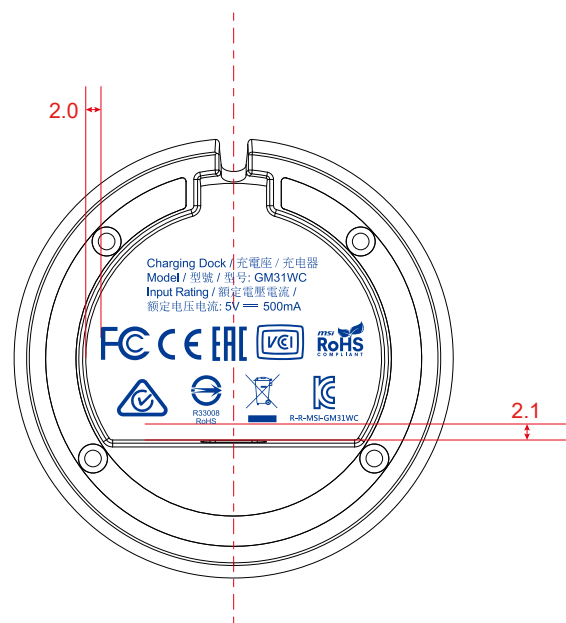


雷雕



Designed	Stone Sun	Date	2022/01/18	Sheet	3 of 5	Revision	01	Checked	
File Name	GM31_Artwork	Vendor		Unit	mm	Approved			
Description	GM31_Artwork	Scale	1 : 1	PM/HW/Sales					

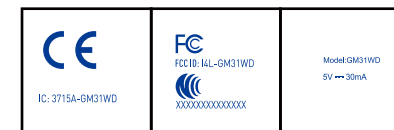
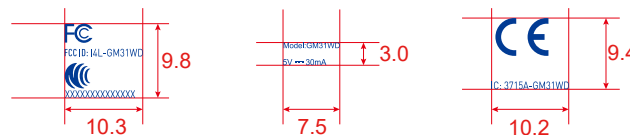
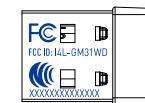
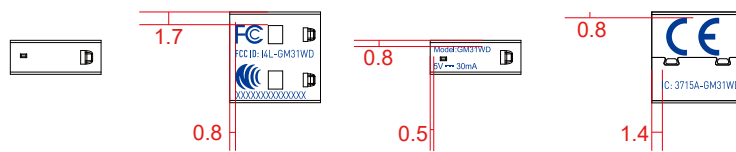
PROGRAM	GM31
TITLE	Safety Mark Laser Engraving



雷雕

Designed	Stone Sun	Date	2022/01/18	Sheet	4 of 5	Revision	01	Checked	
File Name	GM31_Artwork	Vendor		Unit	mm	Approved			
Description	GM31_Artwork	Scale	1 : 1	PM/HW/Sales					

PROGRAM	GM31
TITLE	Charger Safety Mark Laser Engraving



Designed Stone Sun	Date 2022/01/18	Sheet 5 of 5	Revision 00	Checked
File Name GM31_Artwork	Vendor	Unit mm	Approved	
Description GM31_Artwork	Scale 1 : 1	PM/HW/Sales		

PROGRAM GM31
TITLE Dongle Safety Mark Laser Engraving