



IMMERSE GH50 WIRELESS

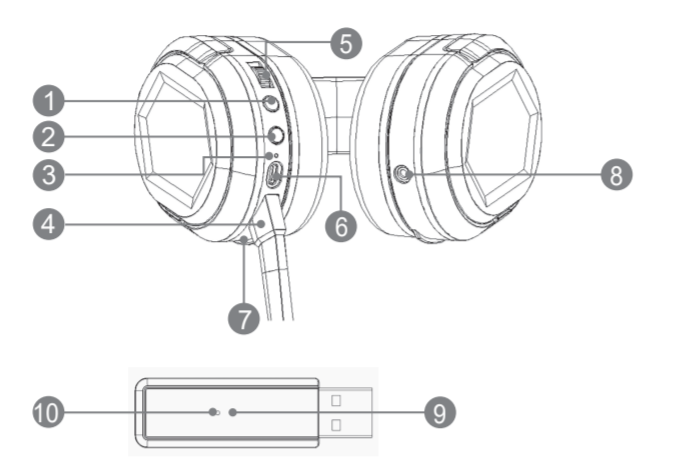
English

Introduction

Thank you for choosing MSI IMMERSE GH50 WIRELESS to enjoy an astonishing audio and gaming experience. This guide provides instructions and illustrations to help you get the most from this product including the first time setup.

The first time to use the headset on a PC, the operating system will automatically install the device driver. After the device driver loads, we recommend you reboot your PC before gaming.

Product Overview



- | | |
|--|----------------------------------|
| 1. MIC Mute / Pairing Button | 8. AUX Port |
| 2. Power Button | 9. Transmitter Pairing Button |
| 3. Charging Status Indicator | 10. Transmitter Status Indicator |
| 4. Mic Connector (Detachable Microphone) | |
| 5. Volume Control | |
| 6. Charging Port (USB Type-C) | |
| 7. Reset Button | |

繁體中文

控制說明

電源按鈕

- 電源開啟：按壓並維持3秒
- 電源關閉：按壓並維持2秒
- 當耳機電源開啟後，電源按鈕會亮起：
 - 白色燈號恆亮：耳機與發射器已配對
 - 白色燈號閃爍：耳機與發射器配對已斷開
 - 白色燈號快速閃爍：耳機進入配對模式

麥克風靜音 / 配對按鍵 Mic Mute / Pairing Button

- 按壓一次靜音麥克風，則紅色燈號恆亮
- 按壓一次取消麥克風靜音，則紅色燈號熄滅
- 配對耳機與發射器：按壓並維持3秒，則電源按鈕白色燈號快速閃爍

音量控制

- 調大音量：向上滾動控制滾輪
- 調降音量：向下滾動控制滾輪
- 噁聲響起：當音量已調整至最大或最小值

重置按鈕

- 重置耳機：以尖頭狀的物體（如別針）插入孔洞中並推觸按鈕一下，耳机复位并进入关机

電池使用時間 & 充電說明

- 耳機充電：以USB-C線連接充電埠和另一端的電力來源
- 充電狀態指示燈號：
 - 充電完成，紅色燈號恆亮
 - 充電中，紅色燈號呼吸閃爍
 - 電量低，紅色燈號緩慢閃爍*

ISED Compliance Statement

This device contains licence-exempt transmitter(s)/receiver(s) that comply with Innovation, Science and Economic Development Canada's licence-exempt RSS(s). Operation is subject to the following two conditions: (1) This device may not cause interference. (2) This device must accept any interference, including interference that may cause undesired operation of the device.

L'émetteur/récepteur exempt de licence contenu dans le présent appareil est conforme aux CNR d'Innovation, Sciences et Développement économique Canada applicables aux appareils radio exempts de licence. L'exploitation est autorisée aux deux conditions suivantes : (1) L'appareil ne doit pas produire de brouillage; (2) L'appareil doit accepter tout brouillage radioélectrique subi, même si le brouillage est susceptible d'en compromettre le fonctionnement.

IC-3715A-GH50W

English

Setup

Wireless mode

- Connect the Wireless USB Transmitter to your PC, and turn on the headset.
- The Transmitter Status Indicator will illuminate when the Wireless USB Transmitter is plugged
 - The white light stays on: the headset is connected.
 - The white light flashes slowly: the headset is disconnected
 - The white light flashes quickly: the headset and the transmitter are pairing
- To reset the connectivity of the headset and the transmitter: insert a pointed object such as a pin into the hole and push the button for 2 seconds

Wired mode (3.5mm)

- Connect the 3.5mm audio cable with the AUX port, the headset will automatically power off and switch to wired mode (LINE IN).

Playstation

- Connect the wireless USB transmitter to any USB port on your PS4 or PS5 console.
- Change the settings in the PlayStation system to set "Output to Headphones" to "All Audio".*

Controls

Power Button

- To power on: press and hold for 3 seconds
- To power off: press and hold for 2 seconds
- The Power Button will illuminate when the headset is turned on:
 - The white light stays on: the headset is connected with the transmitter
 - The white light flashes slowly: the headset is disconnected with the transmitter
 - The white light flashes quickly: the headset is pairing

Mic Mute / Pairing Button

- Press to mute the microphone, the red light stays on.
- Press to unmute the microphone, the red light goes off.
- To pair the headset and the transmitter: press and hold for 3 seconds, the white light on power button flashes quickly.

Volume Control

- To turn up the volume: scroll up the control wheel
- To turn down the volume: scroll down the control wheel
- Beep sound pops up: when them volume is adjusted to the maximum or minimum

繁體中文

重要提示

1. 充電時，最大輸入電壓為5.5V
2. 推薦使用經官方認證且標有電壓值5V和電流500mA
3. 當電力耗盡，請盡速為耳機充電
4. 如長時間未使用耳機，建議於完全充滿後再行使用
5. 建議以較為溫和力道連接麥克風，避免對麥克風連接埠造成損傷
6. 請勿自行拆卸產品，避免造成損傷

English

English

Reset Button

- To reset the headset to factory settings: insert a pointed object such as a pin into the hole and push the button, the headset will be reset and powered off automatically.

Battery Life & Charging

- To Charge the headset: connect the USB-C cable to the charging port and the other end to a power source
- Charging Status Indicator:
 - When fully charged, the red light stays on
 - When charging, the red light breathes
 - When battery is low, the red light flashes slowly

Notice

1. The maximum input voltage to recharge this headset is 5.5V
2. Use of chargers labeled with 5V voltage and 500mA current purchased from official channels is recommended.
3. When the battery is exhausted, please recharge the headset as soon as you can.
4. It is recommended to fully charge the headset if it is not in use for a long time.
5. It is recommended to connect the microphone with a gentle force and prevent damage to the connector.
6. Please do not disassemble the product since it may cause damages.

繁體中文

簡介

感謝選擇 MSI IMMERSE GH50 WIRELESS 用於驚豔音效和電競體驗的享受。本說明書提供使用說明及圖示，幫助您認識產品，以及首次使用設定說明。

第一次於PC上使用時，系統會自行安裝驅動程式；待安裝後，建議於電競前，重新啟動PC。

外觀檢視

1. 麥克風靜音 / 配對鈕
2. 電源按鈕
3. 充電狀態指示燈
4. 麥克風連接埠 (可折式麥克風)
5. 音量控制
6. 充電埠 (USB Type-C)
7. 重置按鈕
8. 外接音源埠
9. 發射器配對按鈕
10. 發射器配對指示燈

設定

無線模式

- 於你的電腦上連接無線USB發射器並開啟耳機電源
- 無線USB發射器連接後，發射器指示燈亮起：
 - 白色燈號恆亮：與耳機連線已配對
 - 白色燈號緩慢閃爍：與耳機連線已斷開
 - 白色燈號快速閃爍：耳機與發射器正在配對中
- 重置耳機與發射器的連線：以尖頭狀的物體（如別針）插入孔洞中並推觸按鈕2秒

有線模式 (3.5mm)

- 於外接音源埠連接3.5mm音源線，耳機會自動關機並轉換至有線模式

Playstation

- 於PS4或PS5上任一USB埠上，連接無線USB發射器
- 於Playstation系統中更改設定，將Output to Headphones調整為All Audio

Wireless Headset

Operating Frequency: 2403.35-2479.35MHz
Output power: < xx dBm

EU compliance statement

English: MSI Inc. hereby declares that this wireless device is in compliance with Directive 2014/53/EU.

Français: MSI Inc. déclare par la présente que ce dispositif sans fil est conforme à la Directive 2014/53/UE.

Deutsch: Hiermit erklärt MSI Inc., dass sich dieses drahtlose Gerät in Übereinstimmung mit der Richtlinie 2014/53/EU befindet.

Italiano: MSI. Inc. dichiara che questo dispositivo wireless è conforme alla Direttiva 2014/53/EU.

Español: Por medio de la presente, MSI Inc. declara que este dispositivo inalámbrico cumple con la Directiva 2014/53/UE.

JAPAN VCCI CLASS B STATEMENT

この装置は、クラスB情報技術装置です。この装置は、家庭環境で使用することを目的としていますが、この装置がラジオやテレビジョン受信機に近接して使用されると、受信障害を引き起こすことがあります。取扱説明書に従って正しく取り扱いをして下さい。VCCI-B

本製品は、EMC準拠の周辺機器およびシステムコンポーネント間にシールドケーブル（イーサネットワークケーブル）が使用されている状態で、EMCへの準拠が実証されています。ラジオ、テレビ、およびその他の電子機器への干渉が発生する可能性を低減するため、EMC準拠の周辺機器およびシステムコンポーネント間にシールドケーブルを使用することが重要です。

重要：MSIの許諾を得ることなく本製品に変更または変更を加えると、電磁両立性（EMC）および無線に準拠しなくなり、製品を操作するための許諾が取り消されるおそれがあります。



NCC警語

取得審驗證明之低功率射頻器材，非經核准，公司、商號或使用者均不得擅自變更頻率、加大功率或變更原設計之特性及功能。低功率射頻器材之使用不得影響飛航安全及干擾合法通信；經發現有干擾現象時，應立即停用，並改善至無干擾時方得繼續使用。前述合法通信，指依電信管理法規動作業之無線電通信。低功率射頻器材受合法通信或工業、科學及醫療用電波輻射性電機設備之干擾。



繁體中文

FCC-B Radio Frequency Interference Statement

This equipment has been tested and found to comply with the limits for a Class B digital device, pursuant to part 15 of the FCC rules. These limits are designed to provide reasonable protection against harmful interference in a residential installation.

This equipment generates, uses and radiates radio frequency energy, and, if not installed and used in accordance with the instructions, may cause harmful interference to radio communications. However, there is no guarantee that interference will not occur in a particular installation. If this equipment does cause harmful interference to radio or television reception, which can be determined by turning the equipment off and on, the user is encouraged to try to correct the interference by one or more of the following measures:

- ▶ Reorient or relocate the receiving antenna.
- ▶ Increase the separation between the equipment and receiver.
- ▶ Connect the equipment into an outlet on a circuit different from that to which the receiver is connected.
- ▶ Consult the dealer or an experienced radio/TV technician for help.

NOTE

- ▶ The changes or modifications not expressly approved by the party responsible for compliance could void the user's authority to operate the equipment
- ▶ Shield interface cables and AC power cord, if any, must be used in order to comply with the emission limits.

FCC Conditions

This device complies with part 15 of the FCC Rules. Operation is subject to the following two conditions:

- ▶ This device may not cause harmful interference.
- ▶ This device must accept any interference received, including interference that may cause undesired operation.

FCC ID: 14L-GH50W

FCC RF Radiation Exposure Statements

The product comply with the FCC portable RF exposure limit set forth for an uncontrolled environment and are safe for intended operation as described in this manual. The further RF exposure reduction can be achieved if the product can be kept as far as possible from the user body or set the device to lower output power if such function is available.

限制物質含有情況標示聲明書 Declaration of the Presence Condition of the Restricted Substances Marking						
設備名稱：無線耳機，型號（型式）：GH50W Equipment name Type designation (Type)						
單元 Unit	限制物質及其化學符號 Restricted substances and its chemical symbols					
	鉛 (Pb)	汞 (Hg)	鎘 (Cd)	六價鉻 Hexavalent chromium (Cr ^{VI})	多環芳 烴 Polycyclic aromatic hydrocarbons (PAHs)	多溴二苯 醚 Polybrominated diphenyl ethers (PBDE)
印刷電路及電子組件	—	○	○	○	○	○
外殼	○	○	○	○	○	○
滾軸裝置	○	○	○	○	○	○
無線接收器及配件	—	○	○	○	○	○
備註1：*「超過」或「wt %」或「%」係指限制物質之百分比含量超過百分比含量基準值。 Note 1: "Exceeding" or "wt %" and "%" indicate that the percentage content of the restricted substance exceeds the reference percentage value of presence condition. 備註2：*「○」係指該項限制物質之百分比含量未超過百分比含量基準值。 Note 2: "○" indicates that the percentage content of the restricted substance does not exceed the percentage of reference value of presence. 備註3：*「—」係指該項限制物質為排除項目。 Note 3: The "—" indicates that the restricted substance corresponds to the exemption.						
產品中有毒有害物質或元素的名稱及含量						
部件名稱	有害物質					
	鉛 (Pb)	汞 (Hg)	鎘 (Cd)	六價鉻 (Cr (VI))	多環芳 烴 (PAHs)	多溴二苯 醚 (PBDE)
印刷電路板組件*	○	○	○	○	○	○
外殼及附件	○	○	○	○	○	○
○：表示該項有毒有害物質在該部件所有均質材料中的含量均在 SJ/T11363 2006 標準規定的限量要求以下。 *：表示該項有毒有害物質至少在該部件的任何一均質材料中的含量超出 SJ/T11363 2006 標準規定的限量要求。 * 印刷電路板組件：包括印刷電路板及其零件、電子元器件等。 表中標有“X”的所有部件都符合歐盟 RoHS 法規。 在中華人民共和國境內銷售的電子信息產品必須標示此標誌，標誌內的數字表示在正常的使用狀態下的產品環保使用年限。						



Micro-Star INT'L CO., LTD.

No.69, Lide St., Zhonghe Dist., New Taipei City 235, Taiwan
tel:+886-2-3234-5599 fax:+886-2-3234-5488

www.msi.com

MSI-NL Eindhoven 5706 5692 ER Son