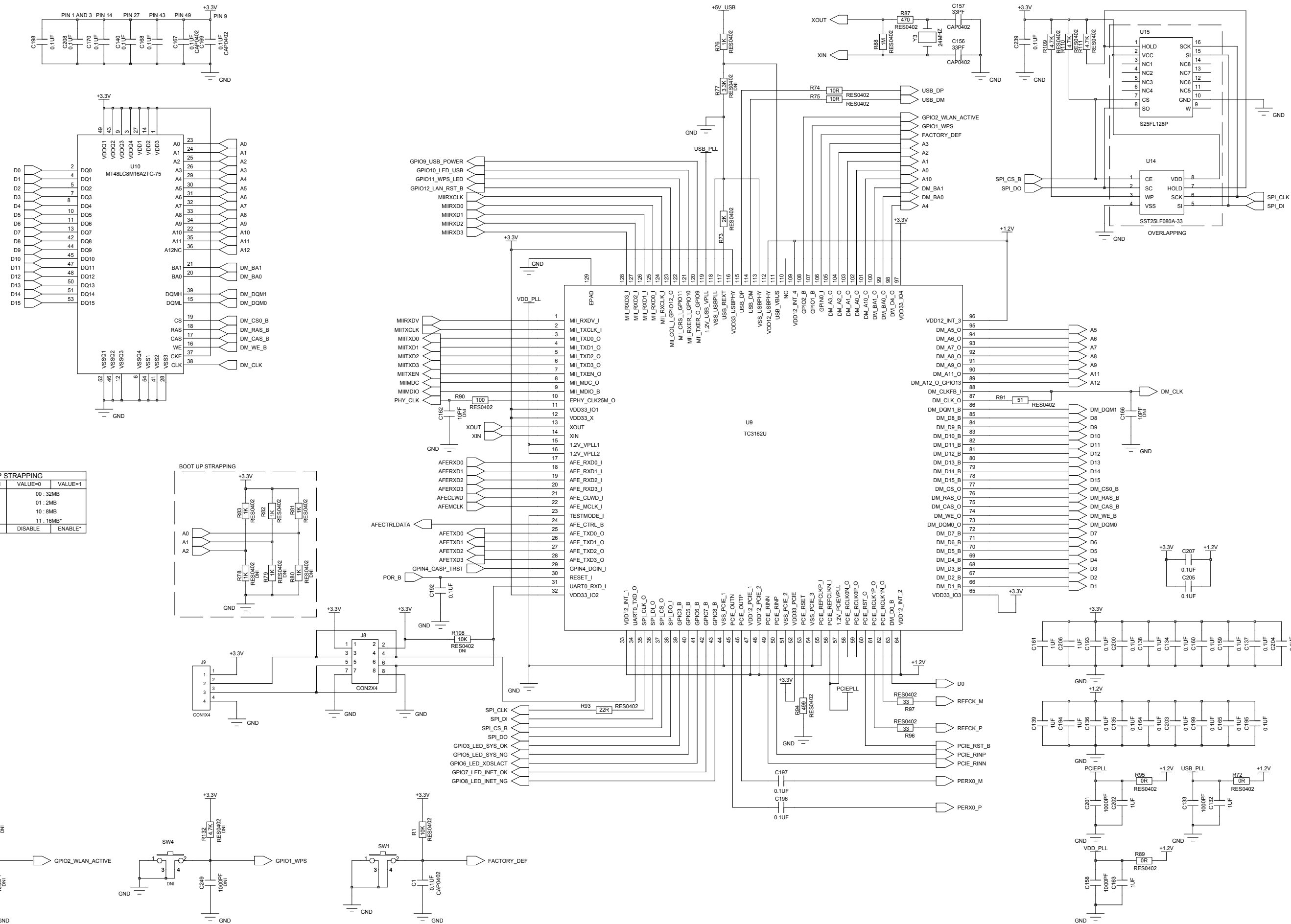
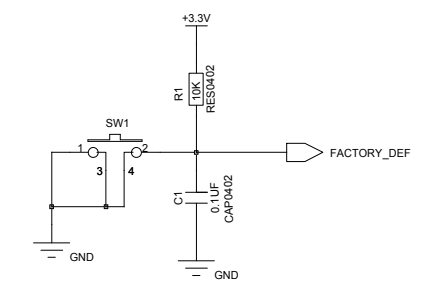
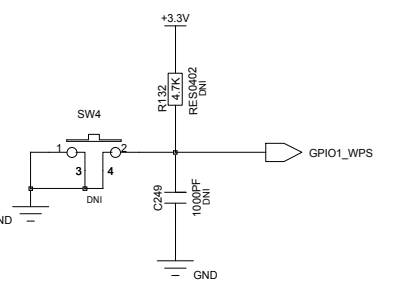
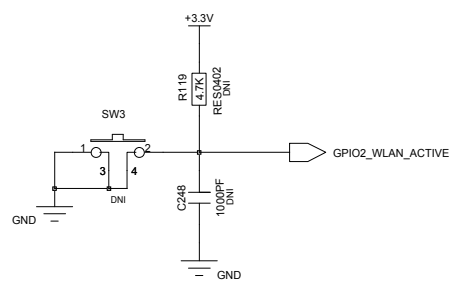
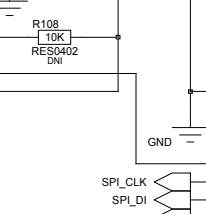
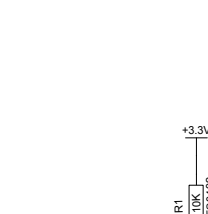
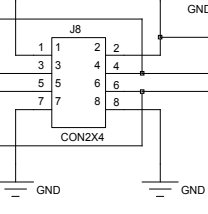
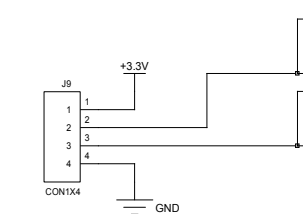
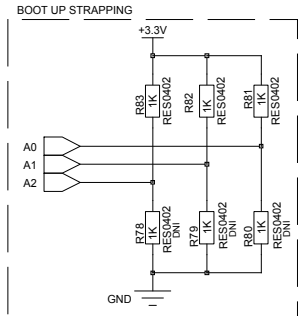


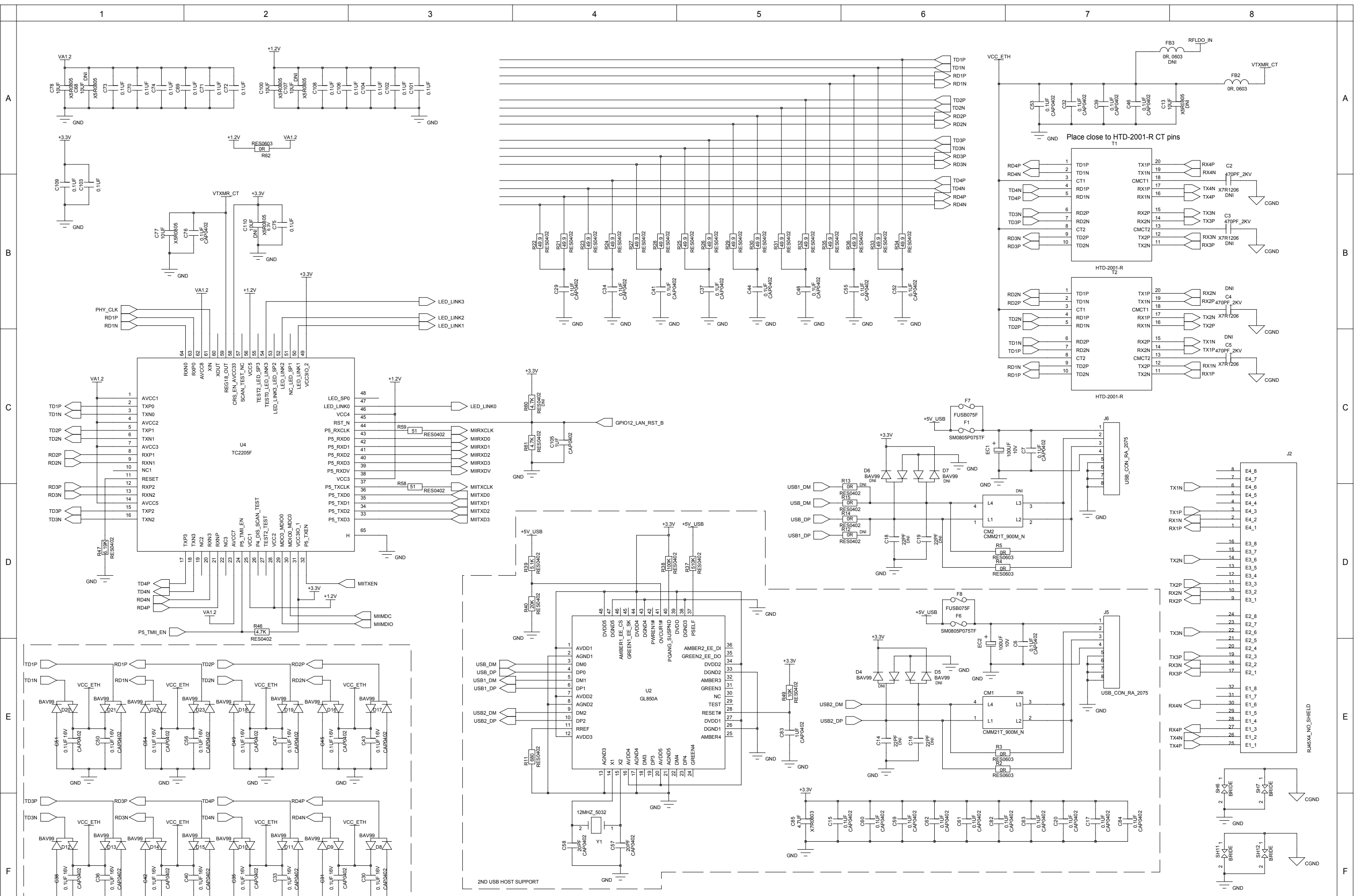
AZTECH TECHNOLOGIES PTE LTD				TITLE		DSL5005EN(X)	
SCHEMATIC DESCRIPTION		DRAWN BY	THIHA KYAW	DATE	10-JAN-2011	PROJECT CODE	268-500181-000
POWER SUPPLY / LED		APPROVED BY	TAN PAU SAI	DATE	10-JAN-2011	SIZE B	SHEET
						REVISION	
						1 OF 5	

THE DRAWING AND SPECIFICATIONS, HEREIN, ARE THE PROPERTY OF AZTECH TECHNOLOGIES PTE LTD AND SHALL NOT BE REPRODUCED OR COPIED OR USED IN WHOLE OR IN PART AS THE BASIS FOR THE MANUFACTURE OR SALE OF ITEMS WITHOUT WRITTEN PERMISSION. COPYRIGHT (C) 2010 AZTECH TECHNOLOGIES PTE LTD.

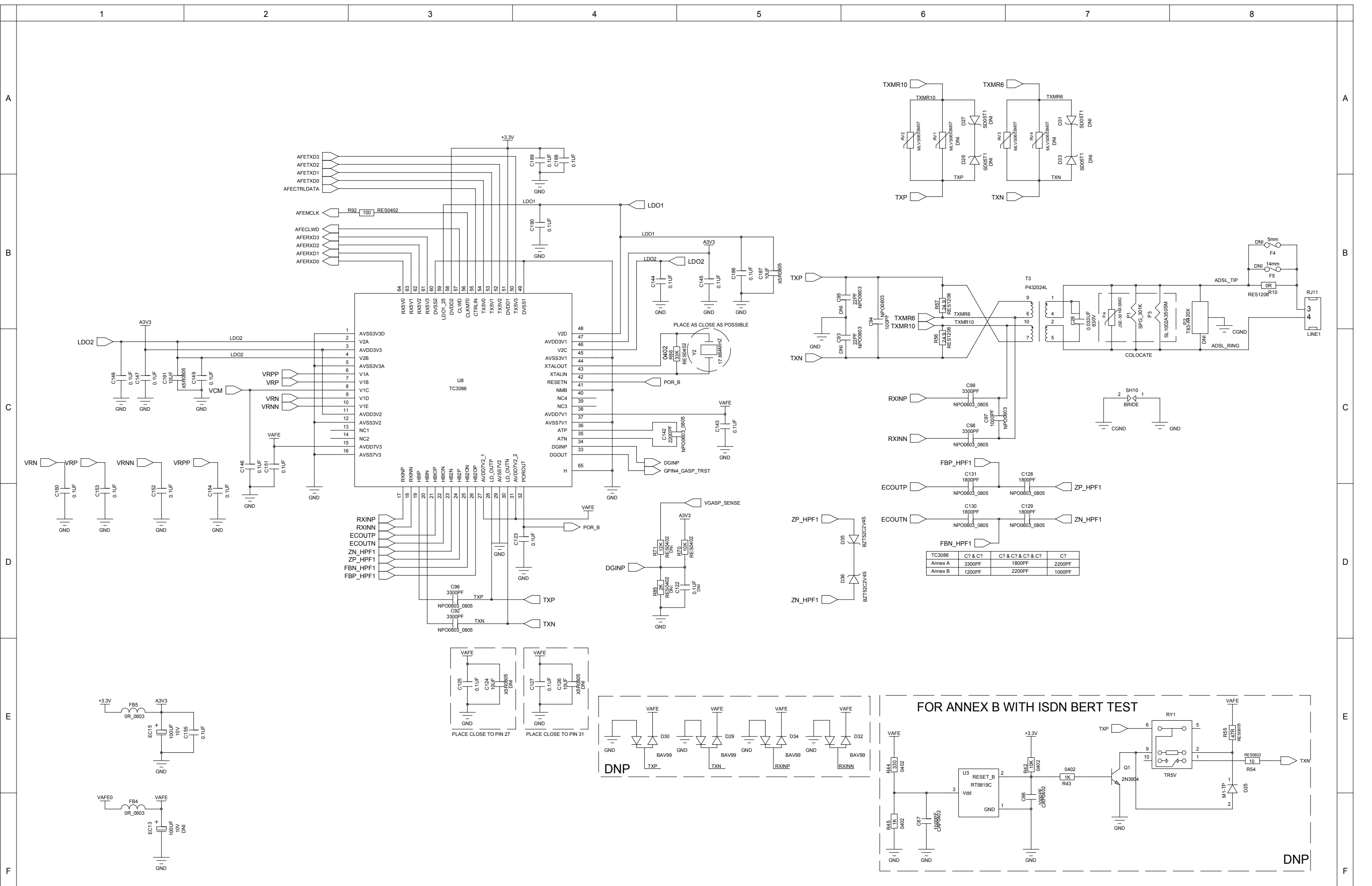


BOOT UP STRAPPING			
PIN NAME	DESCRIPTION	VALUE=0	VALUE=1
MA[1:0]	SDRAM SIZE	00 : 32MB 01 : 2MB 10 : 8MB 11 : 16MB*	
MA2	USB ENABLE	DISABLE	ENABLE*



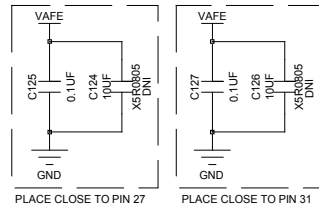
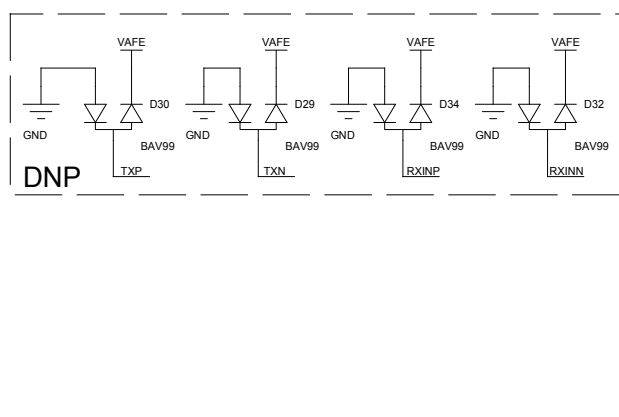
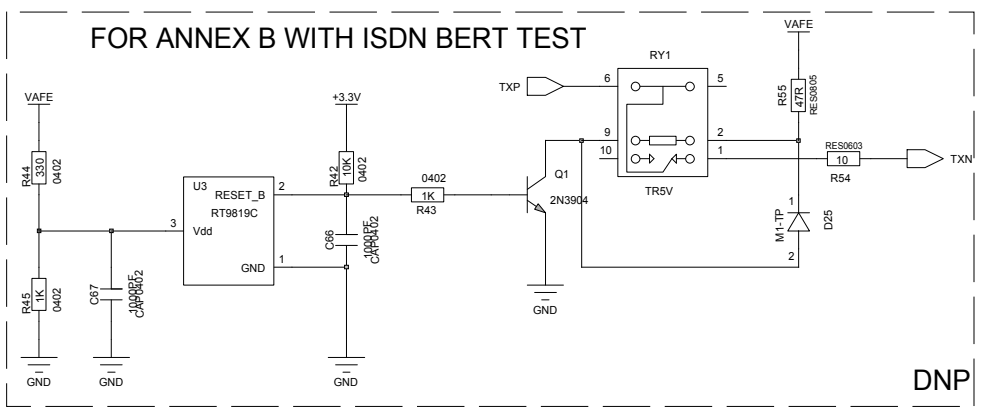


AZTECH TECHNOLOGIES PTE LTD				TITLE		DSL5005EN (X)	
SCHEMATIC DESCRIPTION				DRAWN BY	THIHA KYAW	DATE	10-JAN-2011
ETHERNET SWITCH / USB				APPROVED BY	TAN PAU SAI	PROJECT CODE	268-500181-000
				DATE	10-JAN-2011	SIZE B	SHEET
						3 OF 5	
						REVISION	
						0.2	



AZTECH TECHNOLOGIES PTE LTD		TITLE		DSL5005EN (x)	
SCHEMATIC DESCRIPTION		DRAWN BY	THIHA KYAW	DATE	10-JAN-2011
ADSL AFE		APPROVED BY	TAN PAU SAI	PROJECT CODE	268-500181-000
		DATE	10-JAN-2011	SIZE B	SHEET
				4 OF 5	
				REVISION	
				0.2	

THE DRAWING AND SPECIFICATIONS, HEREIN, ARE THE PROPERTY OF AZTECH TECHNOLOGIES PTE LTD AND SHALL NOT BE REPRODUCED OR COPIED OR USED IN WHOLE OR IN PART AS THE BASIS FOR THE MANUFACTURE OR SALE OF ITEMS WITHOUT WRITTEN PERMISSION. COPYRIGHT (C) 2010 AZTECH TECHNOLOGIES PTE LTD.



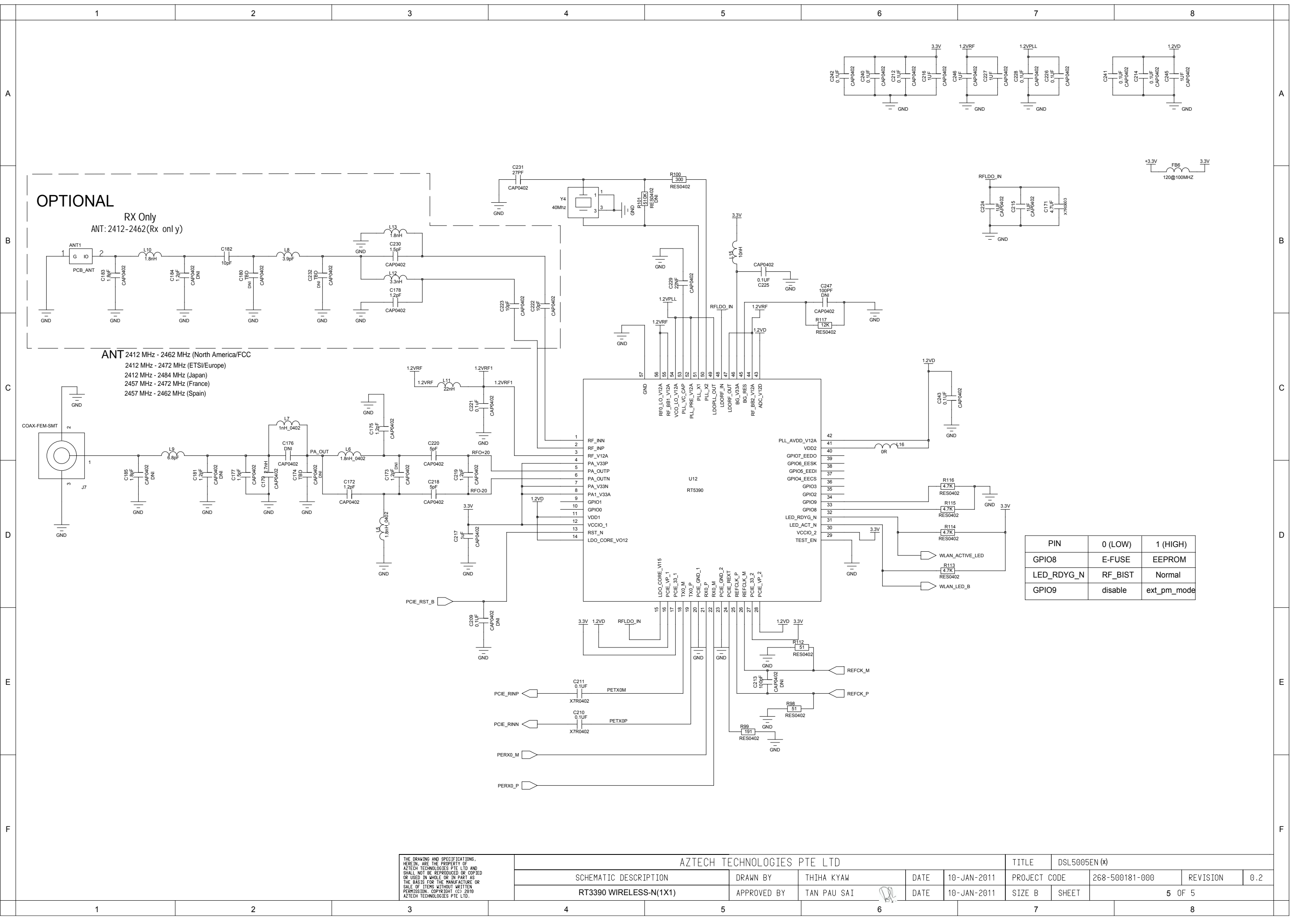
TC3086	C7 & C7	C7 & C7 & C7 & C7	C7
Annex A	3300PF	1800PF	2200PF
Annex B	1200PF	2200PF	1000PF

A  
B  
C  
D  
E  
F

A  
B  
C  
D  
E  
F

1 2 3 4 5 6 7 8

1 2 3 4 5 6 7 8



**OPTIONAL**

RX Only  
ANT: 2412-2462(Rx only)

ANT 2412 MHz - 2462 MHz (North America/FCC)  
2412 MHz - 2472 MHz (ETSI/Europe)  
2412 MHz - 2484 MHz (Japan)  
2457 MHz - 2472 MHz (France)  
2457 MHz - 2462 MHz (Spain)

PIN	0 (LOW)	1 (HIGH)
GPIO8	E-FUSE	EEPROM
LED_RDYG_N	RF_BIST	Normal
GPIO9	disable	ext_pm_mode

THE DRAWING AND SPECIFICATIONS, HEREIN, ARE THE PROPERTY OF AZTECH TECHNOLOGIES PTE LTD AND SHALL NOT BE REPRODUCED OR COPIED OR USED IN WHOLE OR IN PART AS THE BASIS FOR THE MANUFACTURE OR SALE OF ITEMS WITHOUT WRITTEN PERMISSION. COPYRIGHT (C) 2010 AZTECH TECHNOLOGIES PTE LTD.

AZTECH TECHNOLOGIES PTE LTD				TITLE		DSL5005EN (x)		
SCHEMATIC DESCRIPTION		DRAWN BY	THIHA KYAW	DATE	10-JAN-2011	PROJECT CODE	268-500181-000	
RT3390 WIRELESS-N(1X1)		APPROVED BY	TAN PAU SAI	DATE	10-JAN-2011	SIZE B	SHEET	
						REVISION		0.2
						5 OF 5		