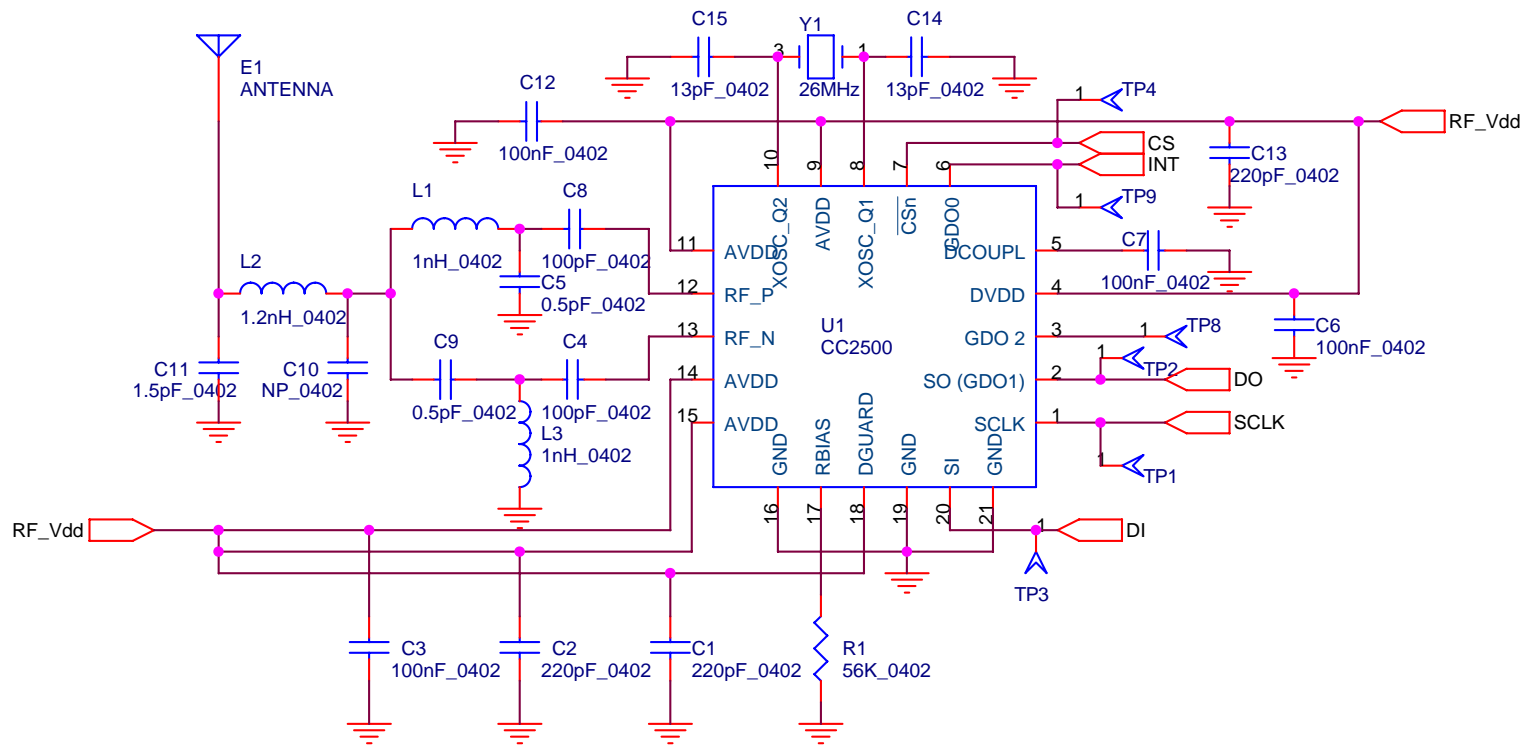



<b>AZTECH SYSTEMS LTD SZ</b> <small>TOTAL POWER PERFORMANCE</small>		TITLE	RCH4D-TX PCBA	
DRAWN BY	Fu Pei	DATE	PROJECT CODE	M68-A00004-T00
APPROVED BY	Wiu Zong Chang	DATE	SIZE A	SHEET
				1 OF 2



 <b>AZTECH SYSTEMS LTD SZ</b> <small>TOTAL POWER PERFORMANCE</small>		TITLE	RCH4D-TX PCBA	
DRAWN BY	Eric Lee	DATE	PROJECT CODE	M68-A00004-T00
APPROVED BY	Wiu Zong Chang	DATE	REV	0.3
SIZE A	SHEET	2 OF 2		