

4 3 2 1

NOTES: (UNLESS OTHERWISE SPECIFIED)

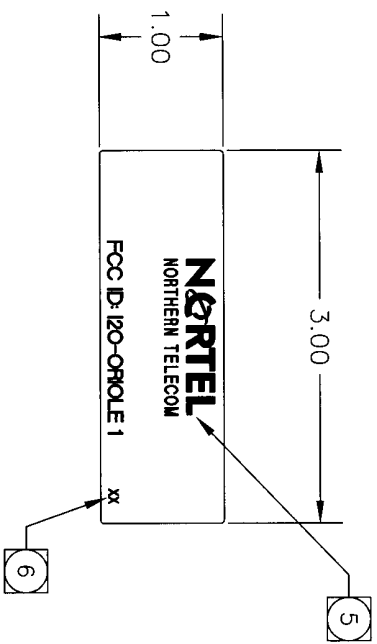
1. INTERPRET DRAWING IN ACCORDANCE WITH ANSI Y14.5M-1982 DIMENSIONING AND TOLERANCING.
2. MATERIAL AND SUPPLIER TO BE UL AND CSA APPROVED.
3. MATERIAL: LEXAN .010 THICK LAMINATED POLYCARBONATE OR EQUIVALENT.

FINISH: VELVET  
 ADHESIVE: 3M9472, PRESSURE SENSITIVE BACKED  
 .005 THICK WITH PEEL OFF LINER.  
 TEXT: WHITE (REVERSE PRINTED) PER OBSERVATION SPECIFICATION S-33294.  
 FONT: UNIVERSE 57, 12 pt.  
 BACKGROUND: MAPLE BROWN, PER OBSERVATIONAL (BLEED FOUR SIDES) SPECIFICATION S-30441.

4. ALL CORNERS TO HAVE A RADIUS OF .030".
5. TO REPRODUCE THE NORTEL LOGO, ALWAYS USE THE OFFICIAL REPRODUCTION ARTWORK AND/OR ELECTRONIC FORMAT (DISK) PROVIDED BY SPECTRIAN.
6. CSA LABEL MANUFACTURER'S DESIGNATION (UNIVERSE 57, 6pt).

7. FONTS SHOWN ON THIS DRAWING ARE FOR DESCRIPTIVE PURPOSES ONLY, AND ARE NOT TO BE CONSTRUED AS THE ACTUAL FONT REQUIRED IN NOTE 3.

REVISIONS		DATE	APPROVED
ZONE	REV.	DESCRIPTION	
	1	ENG RELEASE	



SCALE: 2/1

FOR DOCUMENT CONTROL USE ONLY	
FOR CAD FILE(S) REFERENCE:	REV. INITIAL
DISKETTE No.:	
DRAWING FILE NAME:	
DATE UPDATED:	BY:
FOR ARTWORK REFERENCE:	
P.C. ARTMASTER	
PASTE STENCIL	
SILKSCREEN	

UNLESS OTHERWISE SPECIFIED	63
TOLERANCES UNLESS OTHERWISE NOTED	✓
FRACTIONS ± 1/64	DECIMALS ± .01
	ANGLES ± .5 DEG
	UNIFORMITY ± .005
	FINISH
	MATERIAL
	DO NOT SCALE DRAWING

CONTRACT NO.		APPROVALS		DATE	
DATE	BY	DATE	BY	DATE	BY
10/1/98	D. JOHNETT	10/1/98			
10/1/98	M. MAPAGAY				

 500 Ellis Street, Waltham, MA, 01904		LABEL, REGULATORY ORIOLE
SIZE	CAGE NO.	DMG. NO.
B	64054	SK-9192
SCALE 1/1	SHEET 1 OF 1	REV. 1

4 3 2 1