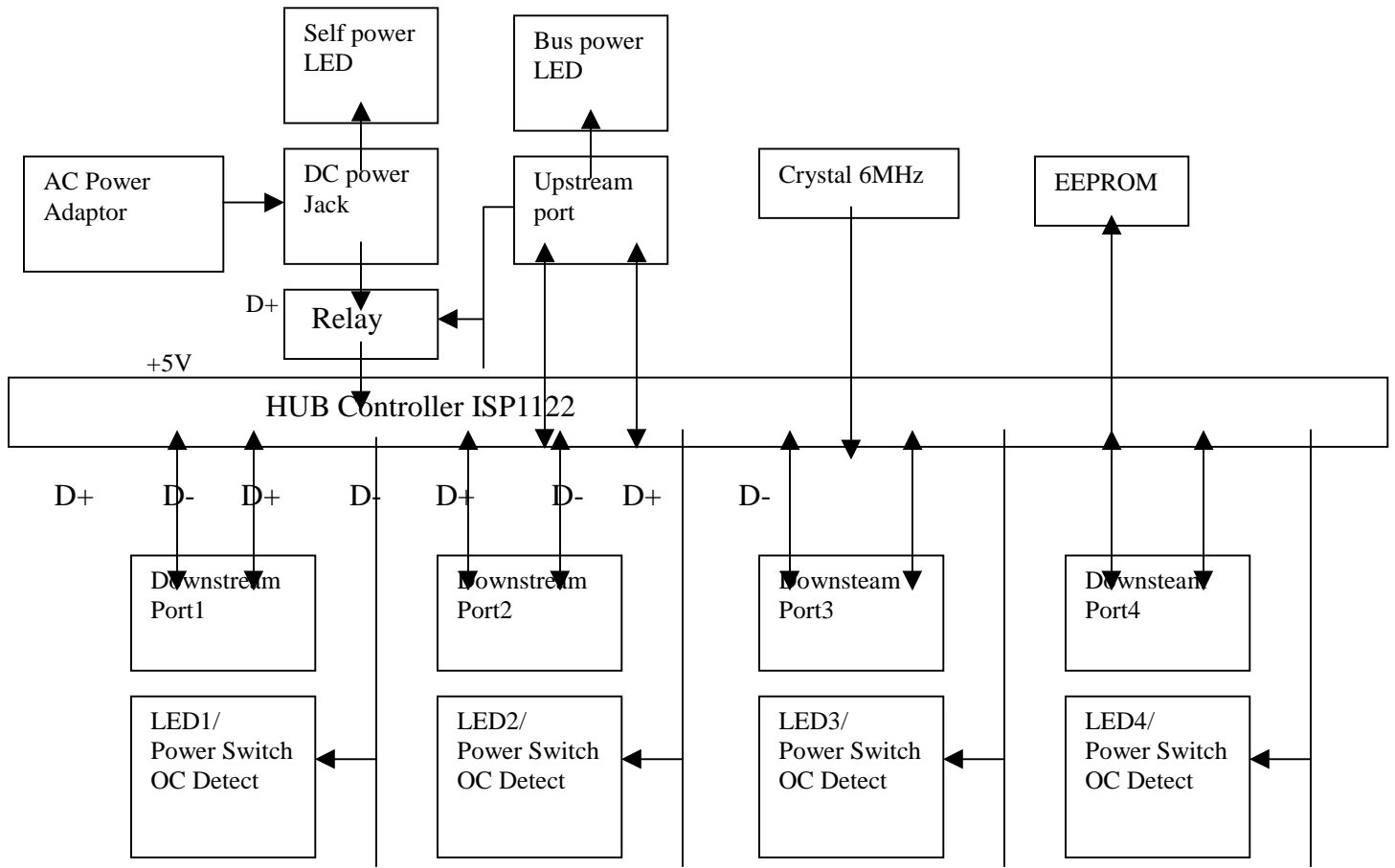


LW931 USB 4 port HUB

BLOCK DIAGRAM



Auditor by	Approved by	Checked by	Engineer by