



Zebra® QLn320™
Mobile Printer

User Guide



Table of Contents

Proprietary Statements	4
Document Conventions	6
Introduction to the QLn320™ Printer	7
Unpacking and Inspection	7
Reporting Damage	7
QLn320 Technology.....	8
Smart Battery.....	8
Printing Technology	9
Direct Thermal.....	9
QLn320 Overview	10
Getting Ready to Print	12
Battery.....	12
Installing the Battery	12
Smart Charger-2 (SC2) Single Battery Charger.....	13
Model UCLI72-4 Quad Charger.....	15
Battery Safety	16
Charger Safety.....	17
QLn-EC Ethernet Cradle.....	18
AC Power Adapter (included in kit p/n P1031365-024).....	21
Loading the Media in the QLn320	22
Loading Media in Peel-off Mode.....	24
Operator Controls	25
Standard Control Panel	25
LCD Control Panel	27
Status Bar Icons	28
Main Menu Screen.....	30
Programmable LCD Settings	31
Verify the Printer Is Working	32
Printing a Configuration Label	32
Connecting the Printer	32
Cable Communication.....	33
RS-232C Communications.....	33
USB Communications	33
Providing Strain Relief for Communications Cable	34
Wireless Communications with Bluetooth™	36
Bluetooth Networking Overview	36
WLAN Overview.....	37
Setting Up the Software	37
Using the Accessories.....	38
Swivel Belt Clip.....	38
Hand Strap.....	40
Preventive Maintenance	41
Extending Battery Life	41
General Cleaning Instructions	41
QLn320 Cleaning.....	42
Troubleshooting	44
Front Control Panel	44
LCD Control Panel Indicators	45
Troubleshooting Tests	48

Printing a Configuration Label	48
Communications Diagnostics	48
Contacting Technical Support	49
Specifications	53
Printing Specifications	53
Memory and Communications Specifications	53
Label Specifications	54
CPCL Font and Bar Code Specifications and Commands	55
ZPL Font and Bar Code Specifications and Commands	56
Communications Ports	57
Physical, Environmental and Electrical Specifications	58
QLn320 Accessories	60
Appendix A	61
Interface Cables	61
RS232 Cables	61
USB Cable	62
More Interface Cables	62
Appendix B	63
Media Supplies	63
Appendix C	63
Maintenance Supplies	63
Appendix D	64
Product Support	64
Appendix E	66
Battery Disposal	66
Product Disposal	66
Appendix F	67
Using zebra.com	67
Index	69
Patent Numbers	70

Proprietary Statements

This manual contains proprietary information of Zebra Technologies Corporation. It is intended solely for the information and use of parties operating and maintaining the equipment described herein. Such proprietary information may not be used, reproduced, or disclosed to any other parties for any other purpose without the expressed written permission of Zebra Technologies Corporation.

Product Improvements

Since continuous product improvement is a policy of Zebra Technologies Corporation, all specifications and signs are subject to change without notice.

Agency Approvals and Regulatory Information

- Design certified by TUV
- Canadian STD RSS-210
- EN60950: 2006 Safety Standard
- C-Tick (Australia)
- FCC part 15 Class B
- EN55024:2003 European Immunity Standard
- NOM/ETL (Mexico)
- EN55022:2006 Class B European Electromagnetic Radiation Standard

Liability Disclaimer

Inasmuch as every effort has been made to supply accurate information in this manual, Zebra Technologies Corporation is not liable for any erroneous information or omissions. Zebra Technologies Corporation reserves the right to correct any such errors and disclaims liability resulting therefrom.

No Liability for Consequential Damage

In no event shall Zebra Technologies Corporation or anyone else involved in the creation, production, or delivery of the accompanying product (including hardware and software) be liable for any damages whatsoever (including, without limitation, damages for loss of business profits, business interruption, loss of business information, or other pecuniary loss) arising out of the use of or the results of use of or inability to use such product, even if Zebra Technologies Corporation has been advised of the possibility of such damages. Because some states do not allow the exclusion of liability for consequential or incidental damages, the above limitation may not apply to you.

Copyrights

The copyrights in this manual and the label print engine described therein are owned by Zebra Technologies Corporation. Unauthorized reproduction of this manual or the software in the label print engine may result in imprisonment of up to one year and fines of up to \$10,000 (17 U.S.C.506). Copyright violators may be subject to civil liability.

This product may contain ZPL®, ZPL II®, and ZebraLink™ programs; Element Energy Equalizer® Circuit; E3®; and AGFA fonts. Software © ZIH Corp. All rights reserved worldwide. ZebraLink and all product names and numbers are trademarks, and Zebra, the Zebra logo, ZPL, ZPL II, Element Energy Equalizer Circuit, and E3 Circuit are registered trademarks of ZIH Corp. All rights reserved worldwide.

Monotype®, Intellifont® and UFST® are trademarks of Monotype Imaging, Inc. registered in the United States Patent and Trademark Office and may be registered in certain jurisdictions.

Andy™, CG Palacio™, CG Century Schoolbook™, CG Triumvirate™, CG Times™, Monotype Kai™, Monotype Mincho™ and Monotype Sung™ are trademarks of Monotype Imaging, Inc. and may be registered in some jurisdictions.

HY Gothic Hangul™ is a trademark of Hanyang Systems, Inc.

Angsana™ is a trademark of Unity Progress Company (UPC) Limited.

Andale®, Arial®, Book Antiqua®, Corsiva®, Gill Sans®, Sorts® and Times New Roman® are trademarks of The Monotype Corporation registered in the United States Patent and Trademark Office and may be registered in certain jurisdictions.

Century Gothic™, Bookman Old Style™ and Century Schoolbook™ are trademarks of The Monotype Corporation and may be registered in certain jurisdictions.

HGPGothicB is a trademark of the Ricoh company, Ltd. and may be registered in some jurisdictions.

Univer™ is a trademark of Heidelberger Druckmaschinen AG, which may be registered in certain jurisdictions, exclusively licensed through Linotype Library GmbH, a wholly owned

subsidiary of Heidelberger Druckmaschinen AG.

Futura® is a trademark of Bauer Types SA registered in the United States Patent and Trademark Office and may be registered in some jurisdictions.

TrueType® is a trademark of Apple Computer, Inc. registered in the United States Patent and Trademark Office and may be registered in certain jurisdictions.

All other product names are the property of their respective owners.

© 1996–2009, QNX Software Systems GmbH & Co. KG. All rights reserved. Published under license by QNX Software Systems Co.

All other brand names, product names, or trademarks belong to their respective holders.

©2010 ZIH Corp.

Document Conventions

The following conventions are used throughout this document to convey certain information:

Cautions, Important, and Note



Caution • Warns you of the potential for electrostatic discharge.



Caution • Warns you of a potential electric shock situation.



Caution • Warns you of a situation where excessive heat could cause a burn



Caution • Advises you that failure to take or avoid a specific action could result in physical harm to you.



Caution • Advises you that failure to take or avoid a specific action could result in physical harm to the hardware.



Important • Advises you of information that is essential to complete a task.



Note • Indicates neutral or positive information that emphasizes or supplements important points of the main text.

Introduction to the QLn320™ Printer

Thank you for choosing our Zebra® QLn320™ Mobile Printer. You will find this rugged printer will become a productive and efficient addition to your workplace thanks to its innovative design. Zebra Technologies is the leader in industrial printers with world-class support for all of your bar code printers, software, and supplies.

This user's guide gives you the information you will need to operate the QLn320 printer. The QLn320 printer uses CPCL and ZPL programming languages. To create and print labels using the CPCL and ZPL languages, refer to the Mobile Printing Systems CPCL Programming Manual and ZPL Programming Guide (available at www.zebra.com/manuals)

QLn Series Software Utilities:

- Zebra Net Bridge™ : printer configuration, fleet management
- Zebra Setup Utility: single printer configuration, quick setup
- Zebra Designer Pro: label design
- Zebra Designer Drivers: Windows® driver
- OPOS Driver: Windows driver
- Multiplatform SDK

(These utilities can be found at www.zebra.com and on the product CD.)

Unpacking and Inspection

Inspect the printer for possible shipping damage:

- Check all exterior surfaces for damage.
- Open the media cover (refer to "Loading the Media" in the Getting Ready to Print section) and inspect the media compartment for damage.

In case shipping is required, save the carton and all packing material.

Reporting Damage

If you discover shipping damage:

- Immediately notify and file a damage report with the shipping company. Zebra Technologies Corporation is not responsible for any damage incurred during shipment of the printer and will not cover the repair of this damage under its warranty policy.
- Keep the carton and all packing material for inspection.
- Notify your authorized Zebra re-seller.

QLn320 Technology

The QLn320 uses several technologies made popular in other Zebra Mobile Printer product lines.

Smart Battery

The QLn320 battery pack is a high capacity, smart Lithium Ion battery that contains electronics which allow the printer to monitor its operating parameters. Among these are the number of charge cycles it has undergone and its date of manufacture. Using these parameters, the QLn320's software can monitor the battery's condition and alert the user when to recharge or remove the battery from service.

Operating Temperature	Charging Temperature	Storage Temperature
-20°C to +50°C	0°C to +40°C	-25°C to +65°C



The QLn320 printer will only function properly with genuine Zebra smart battery packs.

The smart battery's health has three states: GOOD, REPLACE, and POOR. The battery health factor determines whether or not the printer can operate and what is communicated to the user via the display.

# of Charge Cycles	Health	Power-up Message
<300	GOOD	None
<550 but >=300	REPLACE	"Battery Capacity Diminished-Consider Replacing" *
>=550 but <600	REPLACE	"Warning-Battery is Past its Useful Life" **
>=600	POOR	"Please Replace Battery Before Proceeding-Shutting Down" ***

* Warning accompanied by three beeps in rapid succession.

** Warning accompanied by a series of three double beeps in rapid succession.

*** Warning will flash on and off and be accompanied by beeping at a rate of once per second. After 30 seconds the printer will shut down.

Printing Technology

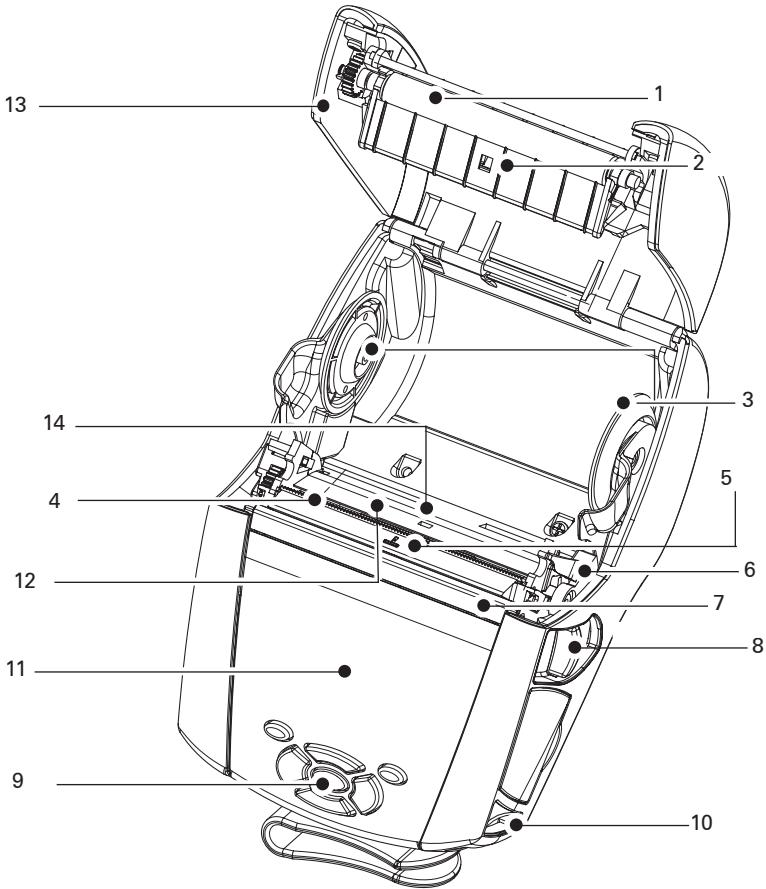
The QLn320 uses the Direct Thermal method to print human readable text, graphics and barcodes. It incorporates a sophisticated print engine for optimal printing under all operational conditions.

Direct Thermal

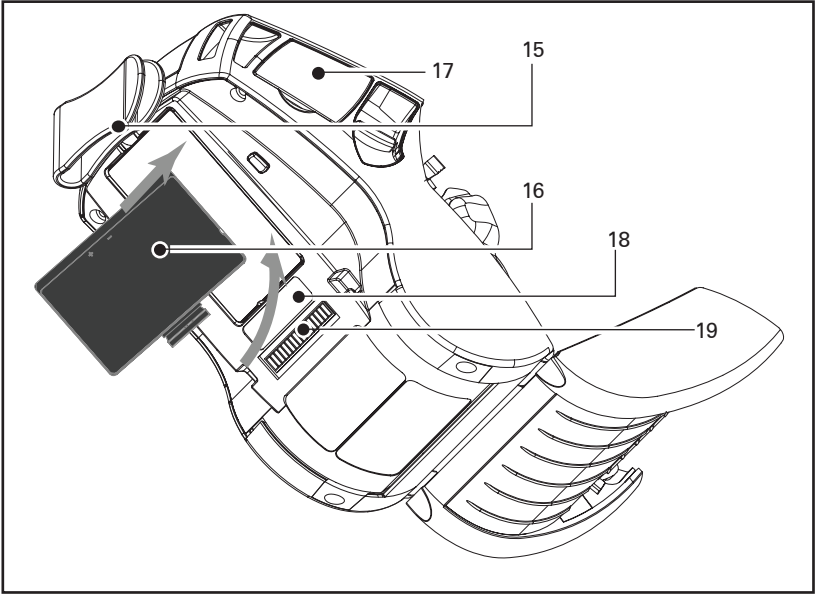
Direct thermal printing uses heat to cause a chemical reaction on specially treated media. This reaction creates a dark mark wherever a heated element on the printhead comes in contact with the media. Since the printing elements are arranged very densely at 203 d.p.i. (dots per inch) horizontal and 200 d.p.i. vertical, highly legible characters and graphic elements may be created a row at a time as the media is advanced past the printhead. This technology has the advantage of simplicity, as there is no requirement for consumable supplies such as ink or toner. However, since the media is sensitive to heat, it will gradually lose legibility over long periods of time, especially if exposed to environments with relatively high temperatures.

QLn320 Overview

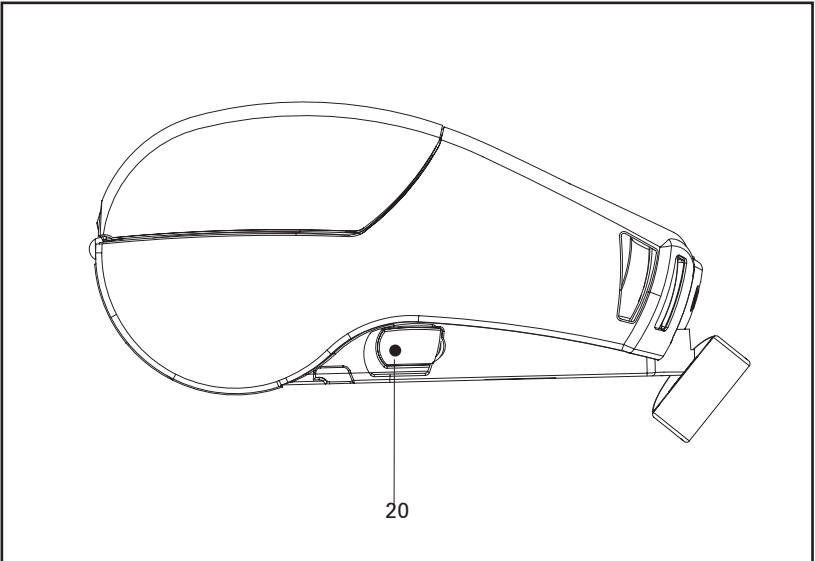
Figure 1: QLn320



- 1 Platen Roller
- 2 Bar Sensor
- 3 Media Support Disks
- 4 Tear Bar
- 5 Label Presence Sensor
- 6 Peeler Lever
- 7 Peeler Bail
- 8 Latch Release Lever
- 9 Key Pad
- 10 Strap Post
- 11 Status Screen
- 12 Printhead
- 13 Media Cover
- 14 Gap Sensor



- 15. Belt Clip
- 16. Battery
- 17. USB/ RS-232 Comm Ports
- 18. MAC Address Label
- 19. Docking Contacts
- 20.. DC Input



20

Getting Ready to Print

Battery

Installing the Battery



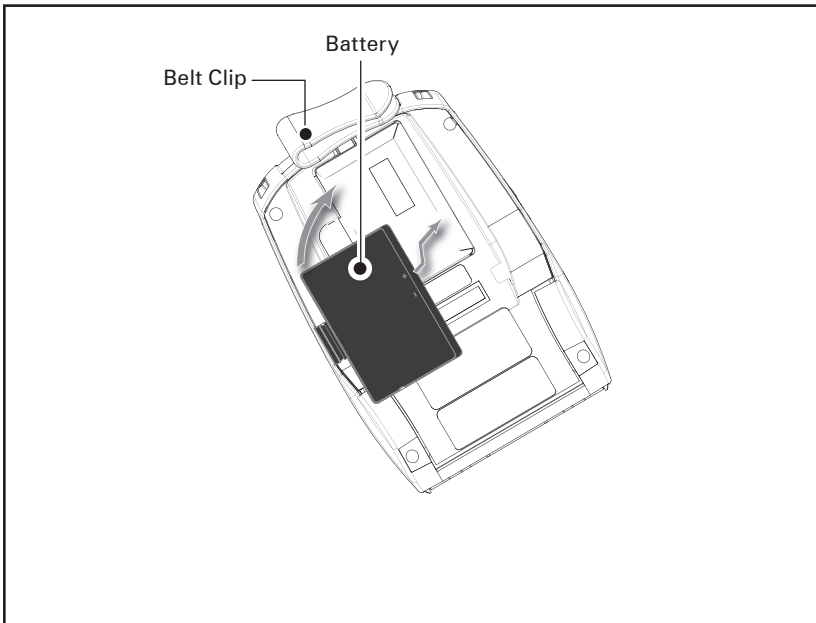
Important • Batteries are shipped partially charged. Remove protective shrink-wrap and labels from new battery packs prior to use.

1. Locate the battery compartment on the bottom of the printer.
2. Insert the battery into the printer as shown in Figure 2. (It is not possible to insert the pack in an incorrect orientation.)
3. Rock the battery into the compartment as shown until it locks in place.

When the battery is first installed, the control panel indicators may briefly turn on and then go off which indicates the battery is not fully charged (see “Charging the Battery” below and “Operator Controls”).

You must charge the batteries fully before using them for the first time. To ensure maximum battery capacity, new batteries should go through two or three complete charge/discharge cycles when first put into service.

Figure 2: Installing the Battery




Smart Charger-2 (SC2) Single Battery Charger

The Smart Charger-2 (SC2) is a charging system for use with the 2-cell lithium-ion smart batteries used in the QLn320 printer. The goal of the SC2 is to fully charge a QLn320 battery in an average time of three (3) hours.

Charging Status Indicators

The SC2 uses a LED indicator to indicate the charge state in either Green, Yellow, or Amber as detailed below.

DC Power Input	Indicator	Battery Status
n/a	Off	Battery not present
Present	Green	Fully charged
Present	Yellow	Charging
Present	Amber	Fault
Present	Off	Present and Battery Health = POOR

There will also be a battery charging graphic to indicate that this LED is the charging status indicator. 

Battery Health Indicator

The SC2 features a tri-color (Yellow/Green/Amber) LED to indicate the health of the battery pack. An evaluation of the battery health begins upon insertion of the battery in the charger and results in the appropriate LED being illuminated as shown below. The LED will remain illuminated as long as input power is applied.

Battery	Indicator	Health Status
None or non-smart	Off	
Smart battery present	Green	GOOD
Smart battery present	Yellow	CAPACITY DIMINISHED
Smart battery present	Flashing yellow	PAST USEFUL LIFE
Smart battery present	Amber	UNUSABLE-REPLACE (discard per Instructions in Appendix E)

Figure 3: Single Charger (SC2)

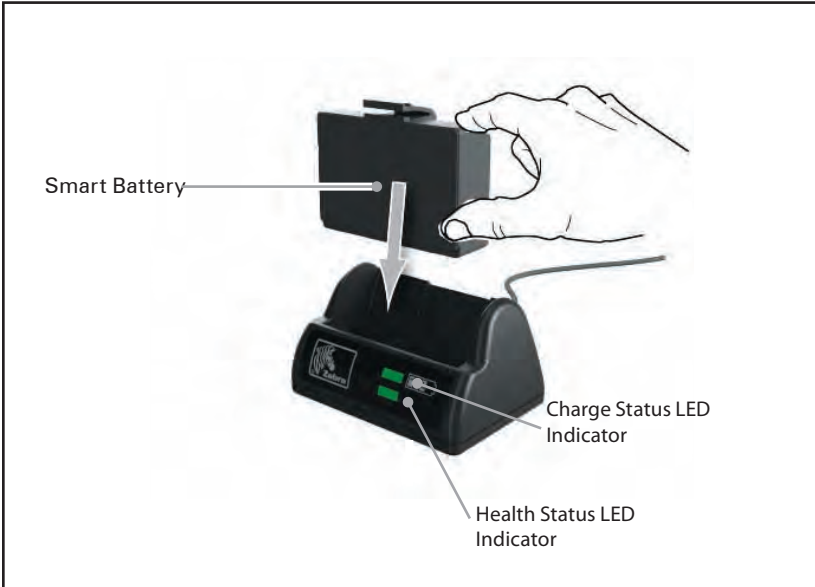


Figure 4: SC2 Dimensions



Dimension information to be provided.

Model UCLI72-4 Quad Charger

The UCLI72-4 Quad Charger is designed to charge up to four QLn320 battery packs simultaneously. Batteries must be removed from the printer to be charged in the Quad Charger.

1. Ensure that the charger has been installed properly per the Quad Charger instruction manual. Ensure that the power indicator on the front panel is on.
2. Remove any protective shrink-wrap and labels from all battery packs prior to use. Plug a battery pack into any one of the four charging bays as shown in Figure 5, noting the orientation of the battery pack. Slide the battery pack into the charging bay until it stops and then rock the battery pack back until it snaps into place. The amber indicator directly under the battery being charged will turn on if the battery is properly inserted.

The indicators under the battery will allow you to monitor the charging process per the table below:

Amber	Green	Battery Status
On	Off	Charging
On	Flashing	80% charged (O.K. to use)
Off	On	Completely Charged
Flashing	Off	Fault



Important • A fault condition is caused by a problem with the battery. The charger may indicate a fault because the battery is too hot or cold to charge reliably. Try to charge the battery again when it returns to the room's ambient temperature. If the amber indicator starts flashing on the second attempt, the battery should be discarded. Always dispose of batteries in a proper manner as described in Appendix E.

Quad Charger Cycle Times :

Battery Status	QLn320
Battery 80% Charged	1.5 Hrs.
Battery Fully Charged	3 Hrs.



Note • These times are for completely discharged batteries.

Battery packs which are only partially discharged will take less time to reach their charged state. Batteries which have reached 80% of their charge capacity may be used, however, it is recommended that you allow the batteries to reach a full charge to maintain maximum battery life.



The UCLI72-4 Quad Charger has a safety feature which stops charging a battery after six hours regardless of its charge state. If not fully charged, it might be indicative of a battery that needs to be replaced.

Battery Safety



Caution • Avoid accidental short circuiting of any battery. Allowing battery terminals to contact conductive material will create a short circuit which could cause burns and other injuries or could start a fire.



Important • Always refer to the Important Safety Information data sheet shipped with each printer and the Technical Bulletin shipped with each battery pack. These documents detail procedures to ensure maximum reliability and safety while using this printer.



Important • Always dispose of used batteries properly. Refer to Appendix E for more battery recycling information.



Caution • Use of any charger not approved specifically by Zebra for use with its batteries could cause damage to the battery pack or the printer and will void the warranty.



Caution • Do not incinerate, disassemble, short circuit, or expose to temperatures higher than 60°C (140°F).

Charger Safety

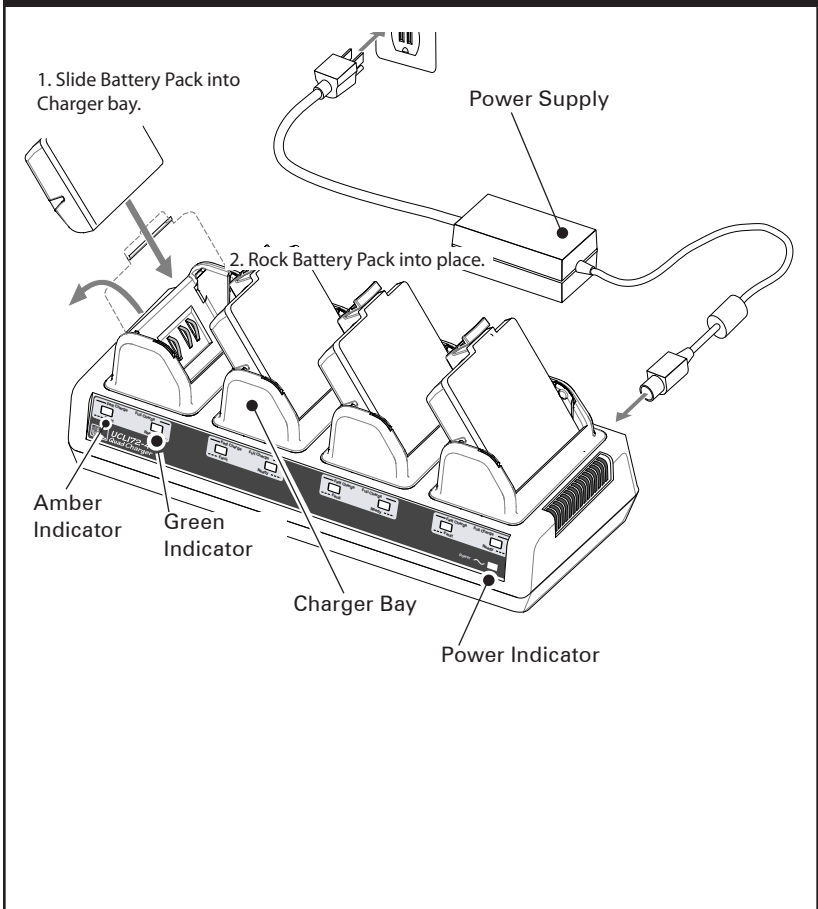


Do not place any charger in locations where liquids or metallic objects may be dropped into the charging bays.



Use care when installing the UCLI72-4 Quad Charger so that you do not block the ventilating slots on the top and bottom covers. Ensure that the charger is plugged into a power source which will not accidentally be turned off if you will be charging batteries overnight.

Figure 5: Quad Charger


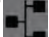


continued

QLn-EC Ethernet Cradle

The Ethernet Cradle (EC) is an expansion base intended for use with the QLn320 printer, as well as the QLn220 printer. There is a four bay cradle (QLn-EC4) or a single bay option (QLn-EC) as shown on pages 19 and 20.

It provides charging power to the docked printer as well as providing a standard 10/100Mb/S Ethernet port for communication to the printer. The EC also supplies battery charging power to the docked printer and acts as a supplementary power source for a functioning QLn printer.

The EC features two green LED's to indicate the status of the cradle: Solid green to indicate when power  is provided to the input of the EC; and blinking green to indicate Ethernet activity .

The cradle allows the user to dock the printer easily and remove it with the push of a button. The printer shall remain operable while docked, i.e. display is viewable, charge LED status is viewable, and printer controls and data entry are available. The printer will still print while docked and the user shall be able to replace the media as well.



NOTE: Remove the "Docking Cradle Access" label on the bottom of the printer before docking the printer in the cradle.

LED Status	Indication
Solid Green	Power On
Blinking Green	Ethernet Activity

Figure 6: Ethernet Cradle (Four Bay)

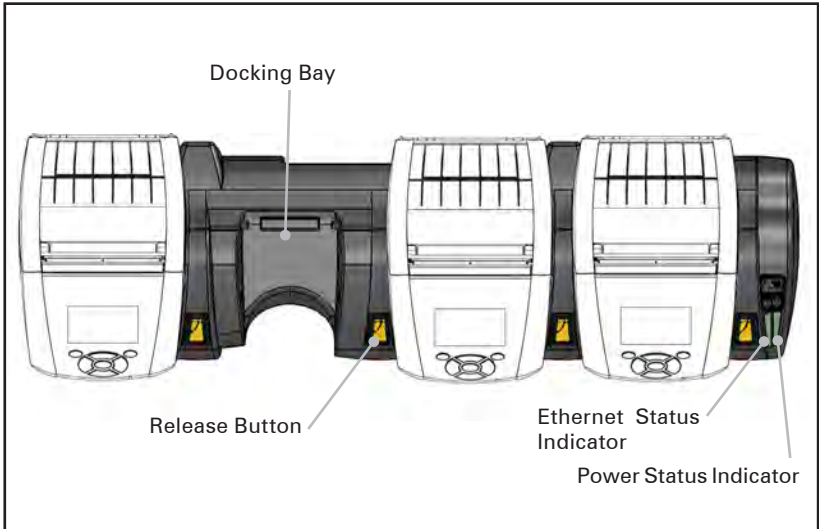


Figure 7: QLn-EC4 Dimensions



Dimension information to be provided.

Figure 8: Ethernet Cradler (Single Bay)

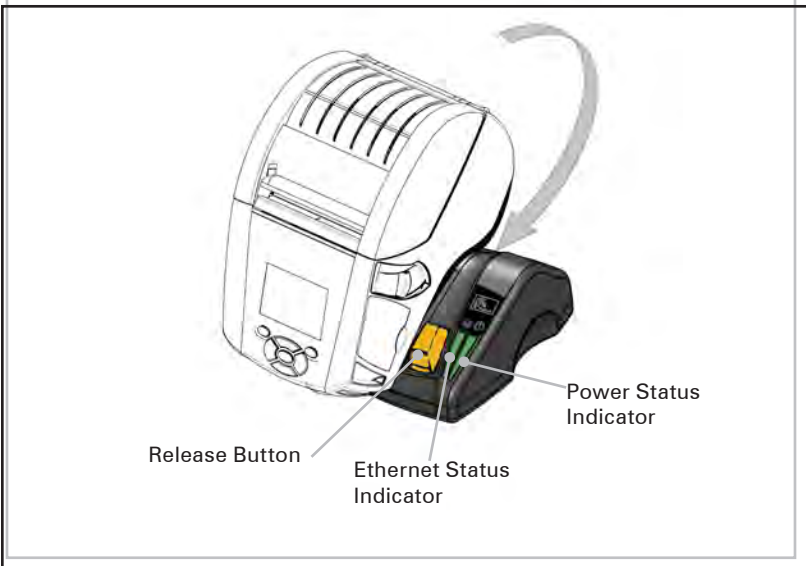


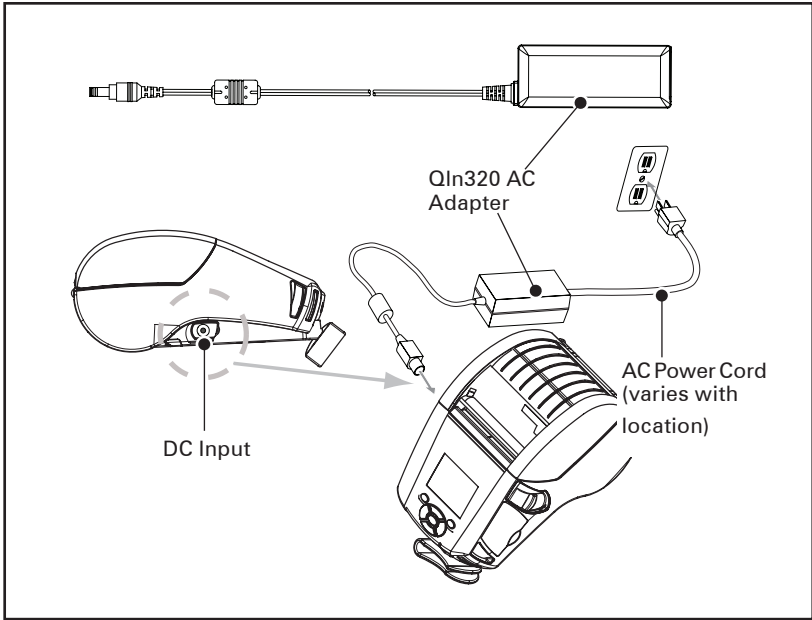
Figure 9: QLn-EC Dimensions



Dimension information to be provided.

AC Power Adapter (included in kit p/n P1031365-024)

Figure 10: Charging the Battery Pack with the AC Power Adapter)



- Open the protective cover on the QLn320 printer to expose the DC input charger jack.
- Connect the appropriate AC power cord for your location to the adapter and then plug the power cord into an AC receptacle.
- Plug the barrel plug from the P1029871 AC adapter into the charger jack on the printer.
- The printer will power up and begin charging. The printer can be left on or turned off at this point. Charging will continue in either state.



Batteries are shipped uncharged. Remove protective shrink-wrap and labels from new battery packs and allow them to charge completely prior to initial use.



While it's possible to charge the battery when using the printer, charge times will increase under this condition.

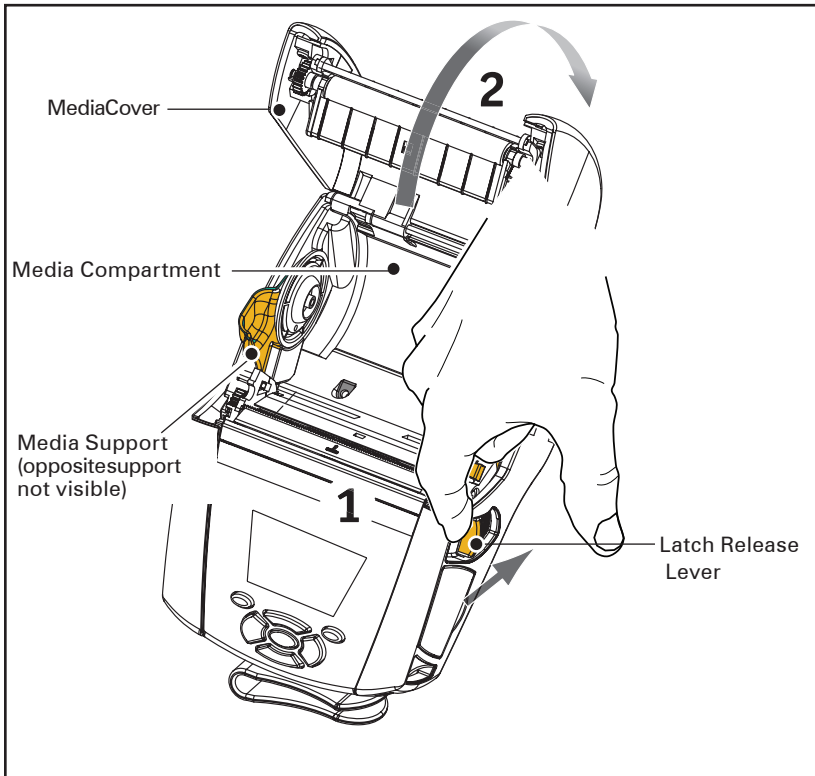
Loading the Media in the QLn320

You can operate QLn320 printers in one of two different modes: Tear-Off or Peel-Off. Tear-Off mode allows you to tear off each label (or a strip of labels) after it is printed. In Peel-Off mode, the backing material is peeled away from the label as it is printed. After you remove this label, the next one is printed.

1. Open the printer.

- Press down on the latch release lever on the side of the printer as shown at "1" in Figure 11 below. The Media Cover will open automatically as shown at "2" below, exposing the Media Compartment and the adjustable Media Supports.

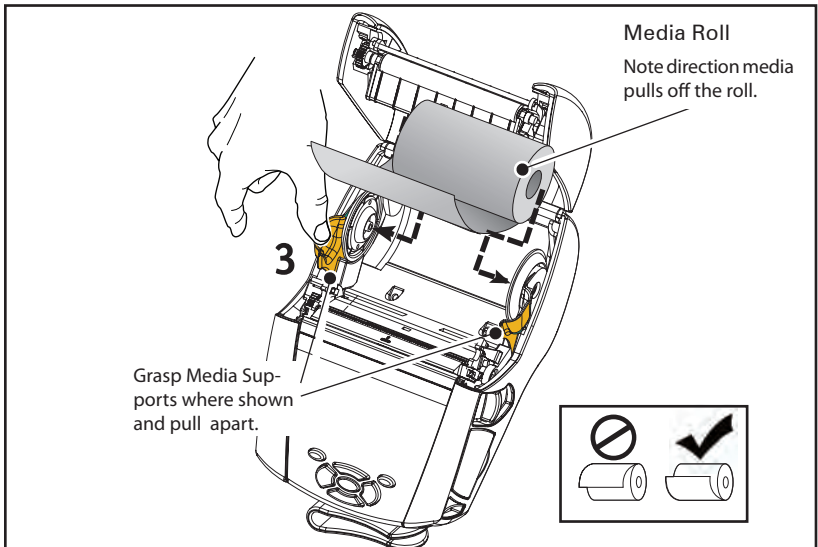
Figure 11: Opening the QLn320



2. Load the media:

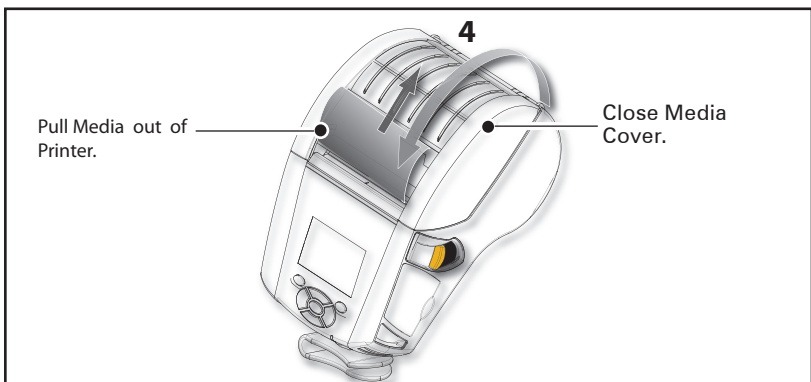
- Grasp the media supports where shown in Figure 12 and pull them apart. Insert the roll of media between them, and let the media supports close. Ensure that the media pulls off the core in the direction shown below. The supports will adjust themselves to the width of the media, and the media should be able to spin freely on the supports.

Figure 12: Loading Media



3. Close the Media Cover.

- If you plan to use the printer in the tear-off mode, close the media cover as shown below.

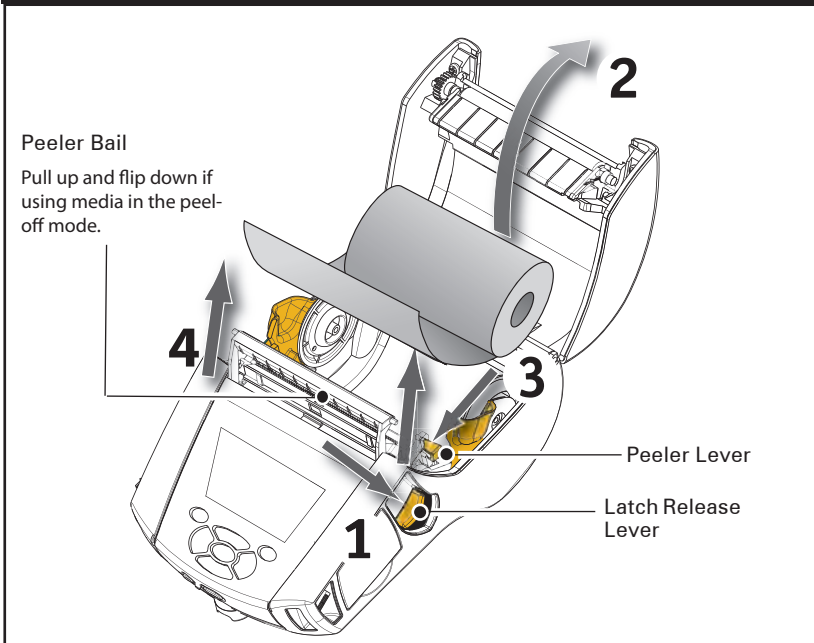


continued

Loading Media in Peel-off Mode

- If you plan to use the printer in the peel-off mode, peel a few labels off of the media and load the media as previously described.
- Push the peeler lever forward to release the peeler bail into the “up” position as shown at “3” and “4” in Figure 13.
- Close the media cover to lock the peeler bail in place. The media will feed between the peeler bail and platen.

Figure 13: Activating Peeler Bar



- Turn on the printer or press the Feed button on the front of the printer if the printer is already on.
The printer will advance the media to the next label, if printing labels. If you are printing on journal media, the printer will advance a short strip of media.

To disengage the peeler bail, first open the media cover as previously described. The peeler bail will automatically return to the Up position.

Press straight down on the peeler bail to lock it in place in its original home position.

Operator Controls

The QLn320 printer comes equipped with a keypad control panel and LCD graphical user interface. The standard control panel is illustrated in Figure 14 and 15 on pages 26 and 27. The LCD interface allows easy display and selection of many printer functions as detailed on following pages.

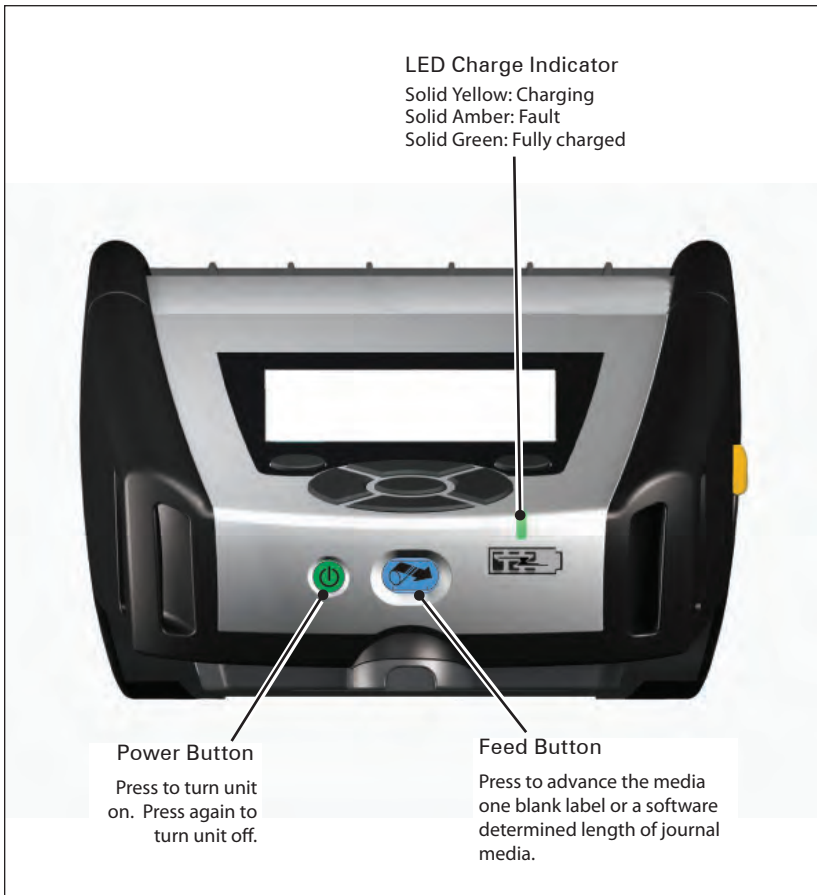
Standard Control Panel

The standard control panel has multiple control buttons and two multipurpose indicators.

- The Power Button turns the printer on and off.
- The Media Feed Button advances a length of media which is determined by the type of media being used. Label media will be advanced to the next gap or bar sense marker. Journal (plain) media will be advanced by a length determined by the printer's software.
- The LED Charge Indicator shows solid Yellow when charging, solid Green when fully charged, and solid Amber when there's a fault condition.
- Four Way Navigation Buttons allow the user to scroll between functions on the LCD user space. (The Navigation Buttons do not apply to the Status Bar and Navigation Bar.)
- Enter Button allows the user to select the desired function highlighted on the LCD interface and is indicated by the word "OK".
- Two software defined function keys allow the user to select a function listed on the navigation bar.

continued

Figure 14: Standard Control Panel

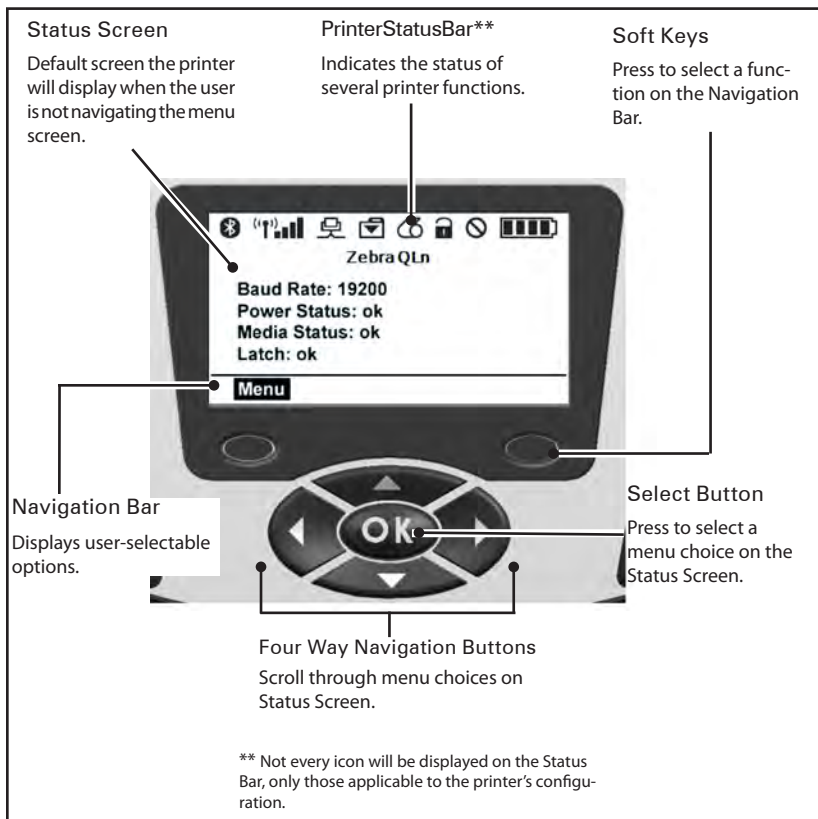


LCD Control Panel

The 240x128 pixel LCD control panel allows the user to view the status of the QLn320 printer and have access to various printer alerts and messages. It also has multi-directional keys which allow navigation and selection of menu options affecting printer functions. These keys allow scrolling through the various options and settings. The "OK" button allows selection of the option or function displayed on the screen.

The top of the screen has a row of status icons, or a Status Bar, which indicate the state of various printer functions. The Status Bar is located on the Status Screen shown below along with a Navigation Bar. The Status Screen is displayed before all other screens.

Figure 15: LCD Control Panel




continued

Status Bar Icons



Indicates Bluetooth connection status. The icon will blink to show that the printer is receiving label data via Bluetooth, and is solid when link is established. This icon appears only on printers with the Bluetooth wireless option installed.



Indicates that the printer is connected to a radio network via 802.11 protocols. The antenna icon will blink with no parentheses when looking for an access point. One set of solid parentheses with blinking antenna indicates WLAN is associated and attempting authentication. Two sets of solid parentheses and solid antenna indicates WLAN is associated and authenticated. The icon and two parentheses will blink to show the printer is receiving printer data via WLAN. The four bars  indicate the strength of the WLAN connection to the access point. These icons appear only with the 802.11 radio installed.



The Ethernet icon will blink when the printer is receiving label data via the Ethernet connection. It will not be displayed on the status bar when the Ethernet is inactive. This icon appears only when the Ethernet option is installed and the printer is docked in Ethernet cradle.



The Data icon indicates data being sent to the printer, i.e. the icon will blink when there is a label data transmission via the serial or USB ports.



The Media Out icon will blink when there is no media in the printer and will not blink when there is media in the printer.




The Head Latch icon indicates if the media cover is closed or not properly latched. It will appear unlocked and blinking if open and will not appear if the cover is closed.



The Error icon will be displayed and blink if an error condition exists. The icon will not be displayed if no printer error exists. Since there are separate icons for Media Out and Head Latch Open, these two alerts do not apply to the Error icon.



The Battery Charge Level icon indicates the reported state of charge from the battery pack. In a non-charging state, four (4) bars indicates the battery level is greater than 80%. Three (3) bars indicates if the battery level is less than or equal to 80% but greater than 60%. Two (2) bars indicates if the level is less than or equal to 60% but greater than 40%. One (1) bar indicates if the battery level is less than or equal to 40% but greater than 20%. And zero (0) bars indicates if the level is less than or equal to 20%.

While the battery is charging, a lightning bolt will appear in the battery icon  to indicate that charging is taking place.

When the battery is charging and fully charged, four bars will be displayed. When the battery is charging and the level is greater than 80%, the battery icon will alternate between four bars and three bars. When the battery is charging and the level is less than or equal to 80% but greater than 60%, the icon will alternate between three bars and two bars. When the battery is charging and the level is less than or equal to 60% but greater than 40%, the icon will alternate between two bars and one bar. When the battery is charging and the level is less than or equal to 40% the icon will alternate between one bar and zero bars.

Main Menu Screen

The user can select options on the Main Menu screen by pressing the soft key located beneath the Menu option on the navigation bar (see Fig. 16). The Main Menu screen displays graphical options including Communication, Display, Media, Battery, and Help.

Figure 16: Main Menu Screen



The user can scroll between icons using the four-way arrow buttons. When an icon is highlighted, its text description will be displayed in the middle of the navigation bar, and can be selected by pressing the “OK” button. This will take the user to the screen with status information specific to that option.

The QLn320 will also display various alerts, such as “Out of Media”, “Clean Printhead”, or “Battery Low”. The user can respond to questions by pressing one of the soft keys to indicate that an action has been taken to address the alert in question. Once the condition causing the alert has been addressed (i.e. loading media), the alert message will be cleared.