



Zebra® R2844-Z™

Smart Label Printer
and Encoder

User Guide



Proprietary Statement

This manual contains proprietary information of the manufacturer. It is intended solely for the information and use of parties operating and maintaining the equipment described herein. Such proprietary information may not be used, reproduced, or disclosed to any other parties for any other purpose without the expressed written permission of the manufacturer.

Product Improvements

Continuous improvement of products is a policy of the manufacturer. All specifications and signs are subject to change without notice.

FCC Compliance Statement

NOTE: This equipment has been tested and found to comply with the limits for a Class B digital device, pursuant to Part 15 of the FCC Rules. These limits are designed to provide reasonable protection against harmful interference in a residential installation. This equipment generates, uses, and can radiate radio frequency energy and, if not installed and used in accordance with the instructions, may cause harmful interference to radio communications. However, there is no guarantee that the interference will not occur in a particular installation. If this equipment does cause harmful interference to radio or television reception, which can be determined by turning the equipment off and on, the user is encouraged to try to correct the interference by one or more of the following measures:

- Reorient or relocate the receiving antenna.
- Increase the separation between the equipment and the receiver.
- Connect the equipment into an outlet on a circuit different than that to which the receiver is connected.
- Consult the dealer or an experienced Radio/TV technician for help.

NOTE: This unit was tested with shielded cables on the peripheral devices. Shielded cables must be used with the unit to insure compliance.

“The user is cautioned that any changes or modifications not expressly approved by the manufacturer could void the user’s authority to operate the equipment.”

Industry Canada Statement

IC: I28-R284Z

Operation is subject to the following two conditions: (1) this device may not cause interference, and (2) this device must accept any interference, including interference that may cause undesired operation of the device.

Liability Disclaimer

The manufacturer takes steps to assure that its published Engineering specifications and Manuals are correct; however, errors do occur. The manufacturer reserves the right to correct any such errors and disclaims liability resulting therefrom.

No Liability for Consequential Damage

In no event shall the manufacturer or anyone else involved in the creation, production, or delivery of the accompanying product (including hardware and software) be liable for any damages whatsoever (including, without limitation, damages for loss of business profits, business interruption, loss of business information, or other pecuniary loss) arising out of the use of or the results of use of or inability to use such product, even if the manufacturer has been advised of the possibility of such damages. Because some states do not allow the exclusion or limitation of liability for consequential or incidental damages, the above limitation may not apply to you.

Trademarks and Copyrights

The Zebra logo and the zebra head design are both registered trademarks and R2844-Z is a service mark of ZIH Corp. Windows and MS-DOS are registered trademarks of Microsoft Corp.

Software® Zebra Technologies Corporation; all rights reserved worldwide. CG Triumvirate is a trademark of AGFA Monotype Corporation; all rights reserved worldwide. CG Triumvirate™ Font© AGFA Monotype Corporation. Intellifont™ Portion© AGFA Monotype Corporation; all rights reserved worldwide. UFST is a registered trademark of AGFA Monotype Corporation; all rights reserved worldwide. This product incorporates the ZPL®, ZPL II®, and ZebraLink™ programs. This product incorporates the Element Energy Equalizer® circuit, and E3® circuit.

All other marks are trademarks or registered trademarks of their respective holders.

This copyrighted manual and the label printer described herein are owned by the manufacturer. All rights are reserved. Unauthorized reproduction of this manual or the software in the label printer may result in imprisonment of up to one year and fines of up to \$10,000 (17 U.S.C.506). Copyright violators may be subject to civil liability.

©2004 ZIH Corp. All rights reserved.



Battery

The main printed circuit board assembly includes a three-volt lithium battery.

CAUTION • Risk of explosion if battery is replaced with an incorrect type.

Note • Recycle batteries according to local your guidelines and regulations.



Shock Hazard

The printer and power supply should never be operated in a location where either one can get wet. Personal injury could result.



Media and Ribbon

Always use high-quality, approved labels, tags and ribbons. If adhesive backed labels are used that **DO NOT** lay flat on the backing liner, the exposed edges may stick to the label guides and rollers inside the printer, causing the label to peel off from the liner and jam the printer. Permanent damage to the print head may result if a non-approved ribbon is used as it may be wound incorrectly for the printer or contain chemicals corrosive to the print head. Approved supplies can be ordered from your dealer.

If labels or ribbon run out while printing, **DO NOT** turn the power switch OFF (0) while reloading or data loss may result. After loading new supplies, press the feed button to resume printing.



Static Discharge

The discharge of electrostatic energy that accumulates on the surface of the human body or other surfaces can damage or destroy the print head or electronic components used in this device. **DO NOT TOUCH** the print head or the electronic components under the top cover.



Thermal Printing

The print head becomes hot while printing. To protect from damaging the print head and risk of personal injury, avoid touching the print head. Use only the cleaning pen to perform maintenance.

Contents

Introduction

| | |
|----------------------------------|---|
| Hello! | 1 |
| What's in the Box? | 2 |
| Inspecting the Printer | 3 |
| Opening the printer | 3 |
| Closing the printer | 5 |
| Reporting Damage | 6 |
| Related Documentation | 6 |

Getting Started

| | |
|---|----|
| Modes of Printing | 7 |
| Attaching Power Supply | 8 |
| Loading Roll Media | 9 |
| Placing the Roll in the Media Compartment | 9 |
| Adjusting the Guides | 10 |
| Using the Optional Media Adapter Plates | 11 |
| Loading Ribbon | 12 |
| Install the Ribbon Supply Roll | 12 |
| Install the Take-Up Core | 12 |
| Attach and Tighten the Ribbon | 13 |
| Operator Controls | 14 |
| Power Switch | 14 |
| Feed Button | 14 |
| Status Light | 14 |
| Printing a Test Label | 15 |
| Hooking Up the Printer and Computer | 16 |
| Interface Cable Requirements | 16 |
| USB Interface Requirements | 16 |
| Parallel Interface Requirements | 17 |
| Ethernet Interface Requirements | 17 |
| Serial Interface Requirements | 17 |

| | |
|---|----|
| Communicating with the Printer | 18 |
| Universal Serial Bus (USB) Communications | 18 |
| Parallel Communications | 18 |
| Internal Ethernet Communications | 18 |
| Serial Communications | 19 |
| Adjusting the Print Width | 20 |
| Adjusting the Print Quality | 20 |

Operation & Options

| | |
|--|----|
| Thermal Printing | 21 |
| Replacing Supplies | 22 |
| Adding a New Transfer Ribbon | 22 |
| Replacing a Partially Used Transfer Ribbon | 22 |
| Printing in Peel-Mode | 23 |
| Printing on Fan-Fold Media | 24 |

RFID Guidelines

| | |
|--|----|
| Print Quality Over the Transponder | 26 |
| Supported Transponders | 27 |
| Transmission and Identification Standards | 27 |
| Manufacturers and Brands | 28 |
| ZPL II Commands for RFID | 33 |
| ^WT – Write Tag | 34 |
| ^RT – Read Tag | 35 |
| ^RS – RFID Setup | 37 |
| ^RI – RFID Get Tag ID | 39 |
| ^RE – Enable/Disable Electronic Article Surveillance Bit | 41 |
| RFID Programming Examples | 42 |

Maintenance

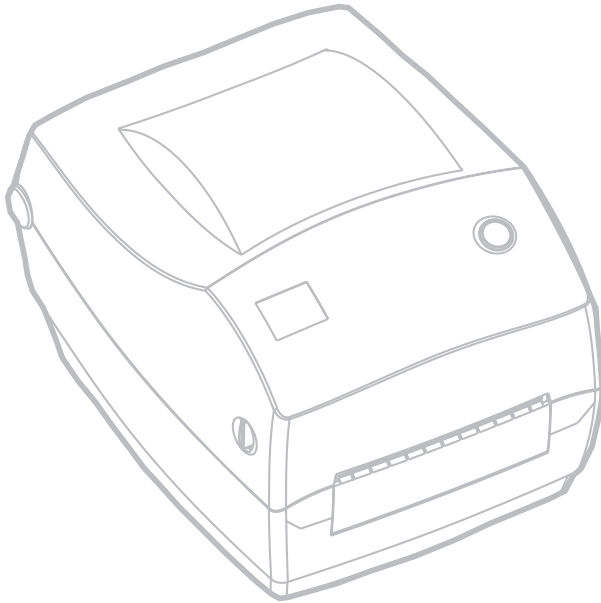
| | |
|--|----|
| Cleaning | 49 |
| Print Head Considerations | 50 |
| Media Path Considerations | 50 |
| Cleaning Card Considerations | 50 |
| Platen Considerations | 51 |
| Lubrication | 51 |
| Replacing the Platen | 52 |
| Replacing the Print Head | 53 |
| Thermal-Transfer TLP Model | 54 |

Troubleshooting

| | |
|--|----|
| Resolutions | 57 |
| Print Quality Problems | 60 |
| RFID Symptoms | 62 |
| External reader cannot confirm RFID tags are programmed..... | 62 |
| VOID messages are printed across media..... | 62 |
| Nothing is printed..... | 62 |
| Manual Calibration | 63 |
| Troubleshooting Tests | 64 |
| Printing a Configuration Label | 64 |
| Recalibration | 64 |
| Resetting the Factory Default Values | 65 |
| Communications Diagnostics | 65 |
| Feed Button Modes | 66 |

Appendix

| | |
|--|----|
| Interfaces | 67 |
| Universal Serial Bus (USB) Connector..... | 67 |
| Parallel Interface Technical Information | 68 |
| ZebraNet® PrintServer II for Ethernet Networks | 69 |
| Serial (RS-232) Connector | 70 |



980476-001A

Introduction

This section describes what you get in your shipping box and provides an overview of printer parts. This section also has procedures that describe how to open and close the printer and report any problems.

Hello!

Thank you for choosing a Zebra® R2844-Z™ printer, a high-quality on-demand printer with RFID (radio-frequency identification) capability manufactured by the industry leader in quality, service, and value—Zebra Technologies Corporation. For over 25 years, Zebra Technologies Corporation has provided customers with the highest caliber of products and support.

Your R2844-Z printer provides thermal-transfer printing (which uses ribbon) and direct-thermal printing.

This manual provides all of the information you will need to operate your printer on a daily basis. To create label formats, refer to the RFID-specific ZPL II commands in this guide and the *ZPL II Programming Guide*. The programming guide is available by contacting your distributor or Zebra Technologies Corporation.

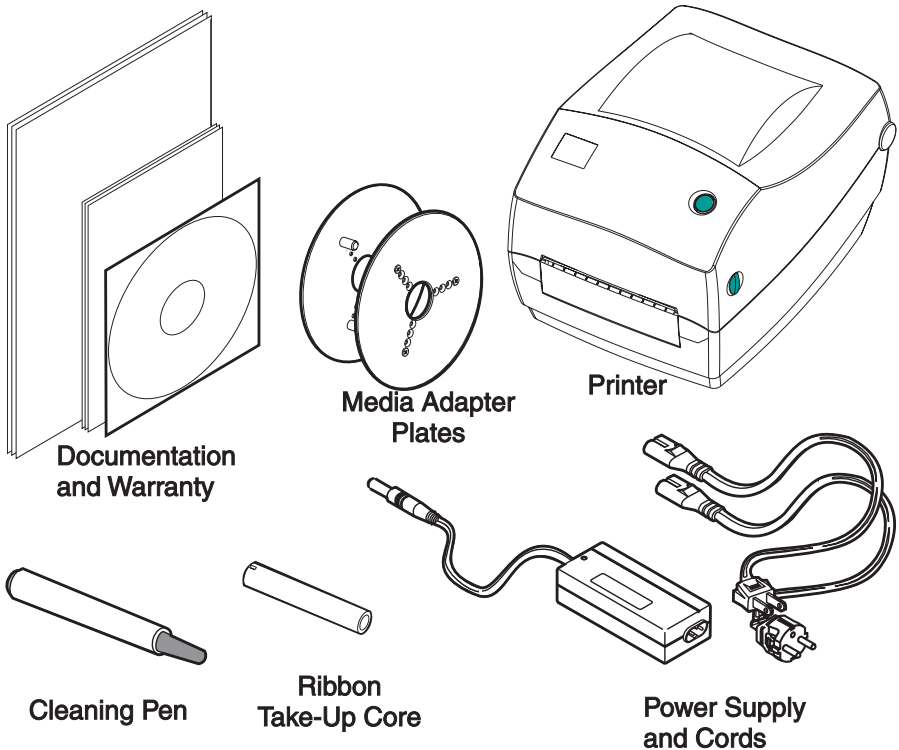


NOTE • Many printer settings may also be controlled by your printer's driver or label preparation software. Refer to the driver or software documentation for more information.

Your printer, when connected to a host computer, functions as a complete system for printing labels and tags, especially those with RFID applications.

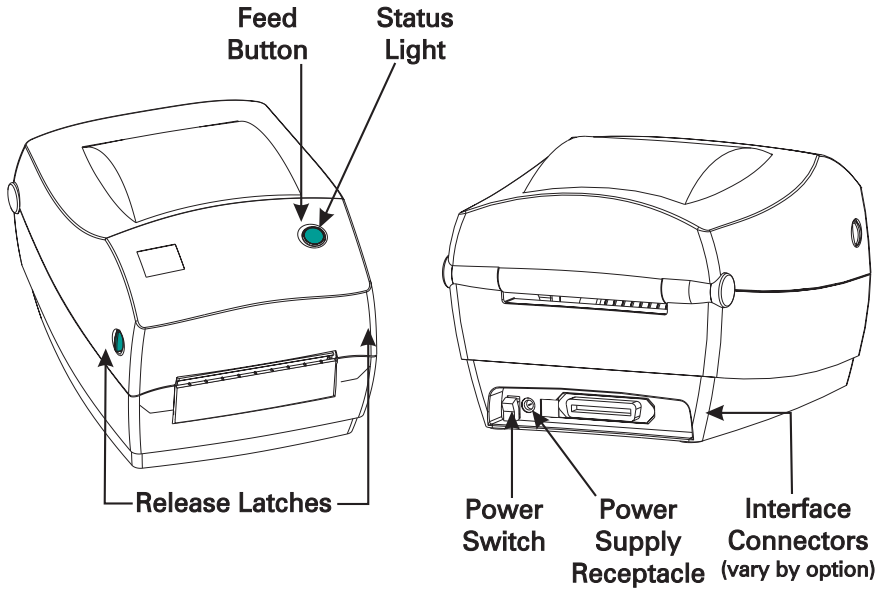
What's in the Box?

Save the carton and all packing materials in case you need to ship or store the printer later. After unpacking, make sure you have all parts. Follow the procedures for inspecting the printer to familiarize yourself with printer parts so you can follow the instructions in this book.

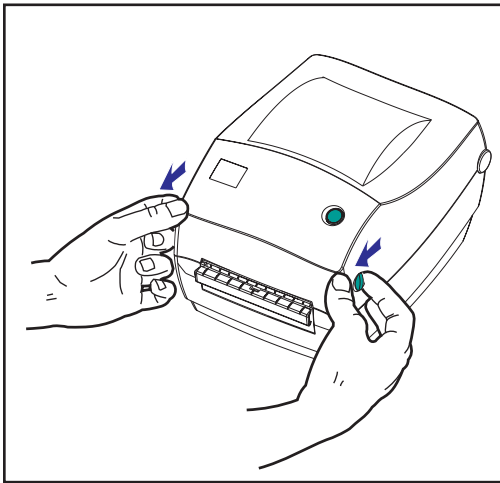


Inspecting the Printer

Look at the outside of the printer and make sure that all parts are present.



Opening the printer



To access the media compartment, you must open the printer.

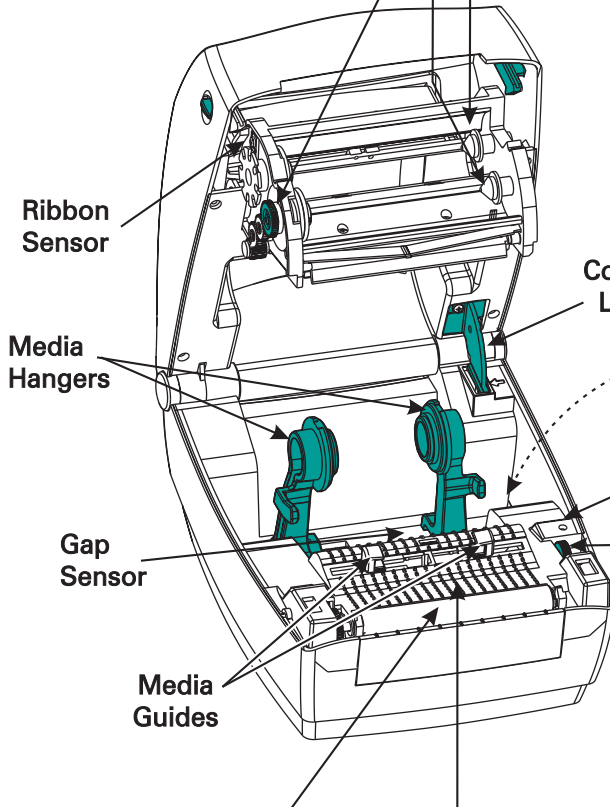
Pull the release levers towards you and lift the cover.

INSPECTING THE PRINTER (continued)

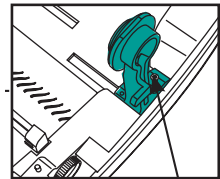
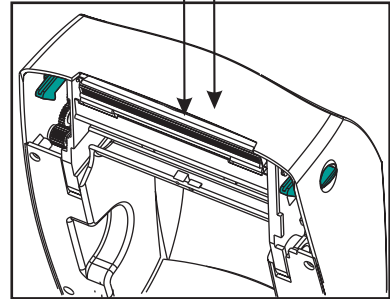
After opening the printer, check the media compartment.

Ribbon Carriage

- Supply Hub
- Take-Up Hub
- Take-Up Gear

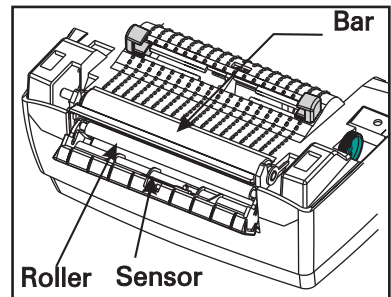


- Tear Bar
- Print Head

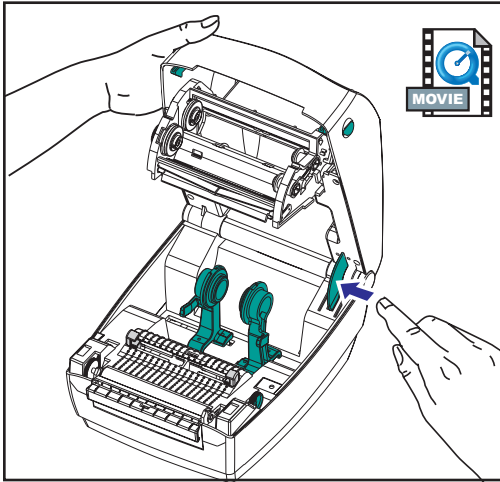


The RFID reader/writer is under the media path (inside the frame)

Peel-Off Option

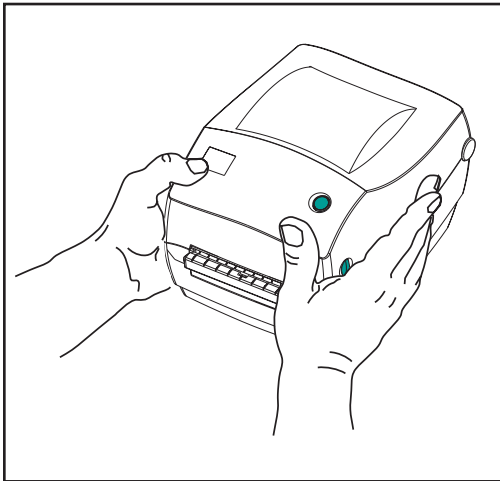


Closing the printer



Hold the top cover and press the “kick-stand” cover lock to release.

Lower the top cover. The ribbon carriage automatically folds up into place.



Press down until the cover snaps closed.

Reporting Damage

If you discover damage or missing parts:

- Immediately notify and file a damage report with the shipping company. The manufacturer is not responsible for any damage incurred during shipment of the printer and will not cover the repair of this damage under its warranty policy.
- Keep the carton and all packing material for inspection.
- Notify the authorized reseller

Related Documentation

Depending on the options you have ordered or choose to use with your new printer, you will find the following documents helpful:

- *ZPL II® Programming Guide*
- *ZebraNet® PrintServer II™ for Ethernet Networks Installation and Operation Guide*
- *Universal Serial Bus Specification* available from the USB Implementation Forum