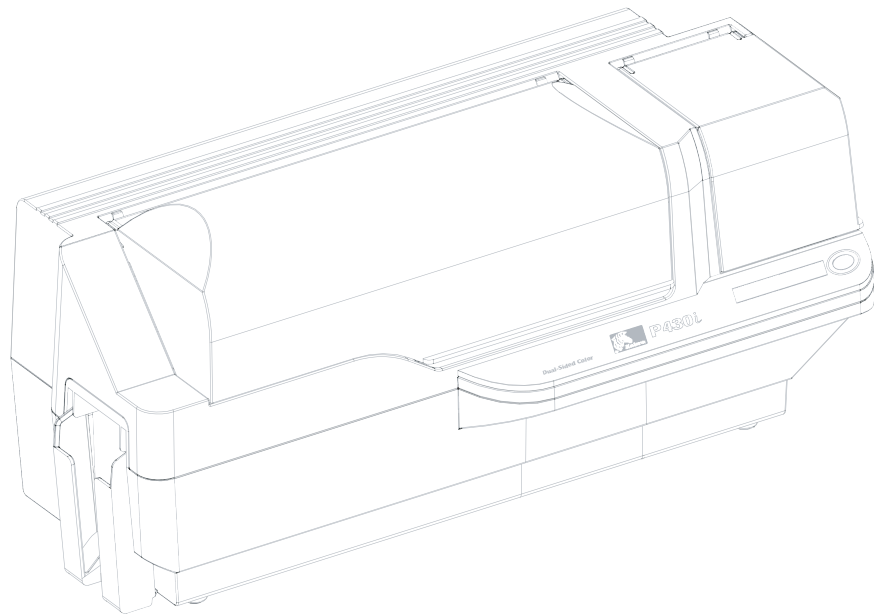




Zebra® P430i
Card Printer

User's Manual





Foreword



This manual contains installation and operation information for the Zebra P430i Card Printers manufactured by Zebra Technologies Corporation, Camarillo, California.

Return Materials Authorization

Before returning any equipment to Zebra Technologies Corporation for in-warranty or out-of-warranty repair, contact Repair Administration for a Return Materials Authorization (RMA) number. Repack the equipment in the original packing material and mark the RMA number clearly on the outside. Ship the equipment, freight prepaid, to the address listed below:

- For USA, Latin America, and Asia / Pacific:

Zebra Technologies Corporation
Zebra Card Printer Solutions
1001 Flynn Road
Camarillo, CA. 93012-8706.USA
Phone: +1 (805) 578-5001
FAX: +1 (805) 579-1808

- For Europe and Middle East:

Zebra Technologies Corporation
Zebra Card Printer Solutions
Pittman Way, Fulwood
Preston, PR2 9ZD
Lancashire, U.K.
Phone: +44 - 1 - 772 - 797555
FAX: +44 - 1 - 772 - 693000

Copyright Notice

© 2006 ZIH Corp.

This document contains information proprietary to Zebra Technologies Corporation. This document and the information contained within is Copyrighted by Zebra Technologies Corporation and may not be duplicated in full or in part by any person without written approval from Zebra. While every effort has been made to keep the information contained within current and accurate as of the date of publication, no guarantee is given that the document is error-free or that it is accurate with regard to any specification. Zebra reserves the right to make changes, for the purpose of product improvement, at any time.

Trademarks

P430i is a trademark and Zebra is a registered trademark of Zebra Technologies Corporation. Windows and MS.DOS are registered trademarks of Microsoft Corp. All other trademarks or registered trademarks are marks of their respective holders.

Product Disposal



Product Disposal Information • Do not dispose of this product in unsorted municipal waste. This product is recyclable, and should be recycled according to your local standards. For more information, please see our web site at:
<http://www.zebra.com/environment>

Declarations of Conformity



89/336/EEC modified by 92/31/EEC and 93/68/EEC	EMC Directive	EN 55022 (1998)	RF Emissions control
	EMC Directive	EN 301489-3 V1.4.1	RF Emissions and Immunity for radio equipment
	EMC Directive	EN55024 (2001)	Immunity to Electro-Magnetic Disturbances
73/23/EEC modified by 93/68/EEC	Low voltage Directive	EN 60950-1 (2001)	Product safety
1999/5/CE	R&TTE Directive	EN300330-2 V1.1.1	Radio Frequency Interferences

For a formal certificate, please contact the Compliance Office at Zebra's Camarillo facility.

EUROPE: Norway Only: This product is also designed for IT power system with phase to phase voltage 230V. Earth grounding is via the polarized, 3-wire power cord.

FI: "Laite on liitettävä suojamaadoitus koskettimilla varustettuun pistorasiaan"

SE: "Apparaten skall anslutas till jordat uttag"

NO: "Apparatet må tilkoples jordet stikkontakt"

FCC Regulations

Model P430i has been tested and found to comply with the limits for a Class A digital device, pursuant to Part 15 of the FCC Rules. These limits are designed to provide reasonable protection against harmful interference when the equipment is operated in a commercial environment. This equipment generates, uses, and can radiate radio frequency energy and, if not installed and operated in accordance with the P430i User's Manual, may cause harmful interference to radio communications. Operation of this equipment in a residential area is likely to cause harmful interference in which case the user will be required to correct the interference at his own expense.

Pursuant to Part 15.21 of the FCC Rules, any changes or modifications to this equipment not expressly approved by Zebra may cause harmful interference and void the FCC authorization to operate this equipment.

FCC Radiation Exposure Statement (applicable to 15.247 device only)

This equipment complies with FCC radiation exposure limits set forth for an uncontrolled environment. This equipment should be installed and operated with minimum 20 cm between the radiator and your body. This transmitter must not be collocated or operating in conjunction with any other antenna or transmitter unless authorized to do so by the FCC.

Industry Canada Notice

This device complies with Industry Canada ICES-003 class A requirements.

Cet équipement est conforme à l'ICES-003 classe A de la norme Industrielle Canadienne.

P430i Printer Model

The Zebra Product Number tells a story:

Here is a quick review of the Zebra Card Printer Series numbering and lettering system to help you.

Model numbers include identifiers that specify options using the following lettering conventions:

Part Number	Description
P 4 3 0 i - _ _ _ _ - _ _ _	Base Printer P430i Color Card Printer
_ _ _ _ - 0 _ _ _ - _ _ _ _ _ _ _ - B _ _ _ - _ _ _ _ _ _ _ - C _ _ _ - _ _ _ _ _ _ _ - D _ _ _ - _ _ _ _ _ _ _ - E _ _ _ - _ _ _ _ _ _ _ - F _ _ _ - _ _ _ _ _ _ _ - H _ _ _ - _ _ _	Smart Card Options None Contact Encoder Contact encoder & HID iCLASS Contact encoder & MIFARE contactless Contact station HID iCLASS MIFARE contactless
_ _ _ _ - 0 _ _ _ - _ _ _ _ _ _ _ - M _ _ _ - _ _ _	Magnetic Encoder None Yes (select defaults below)
_ _ _ _ - 0 _ _ _ - _ _ _ _ _ _ _ - 1 _ _ _ - _ _ _ _ _ _ _ - 3 _ _ _ - _ _ _	Magnetic Encoder Defaults None Stripe Down, HiCo Stripe Up, HiCo
_ _ _ _ - 0 _ _ _ - _ _ _	Memory Expansion None
_ _ _ _ - A _ _ _ - _ _ _ _ _ _ _ - C _ _ _ - _ _ _	Interface USB Only USB and Ethernet
_ _ _ _ - I _ _ _ - _ _ _ _ _ _ _ - U _ _ _ - _ _ _	Power Cords U. S. and Europe U. K. and Australia
_ _ _ _ - D 0	Windows Drivers and User Documentation / Training CD Windows Drivers and User Documentation / Training included on one CD (Software & Documentation Package) which contains Multi-language documentation

Icons

Throughout this manual, different icons highlight important information, as follows:



Note • Indicates information that emphasizes or supplements important points of the main text.



Important • Advises you of information that is essential to complete a task, or points out the importance of specific information in the text.



Provides an example or scenario to demonstrate or clarify a section of text.



Electrostatic Discharge Caution • Warns you of the potential for electrostatic discharge.



Electric Shock Caution • Warns you of a potential electric shock situation.



Caution • Warns you of a situation where excessive heat could cause a burn.



Caution • Advises you that failure to take or avoid a specific action could result in physical harm to you, or could result in physical damage to the hardware.

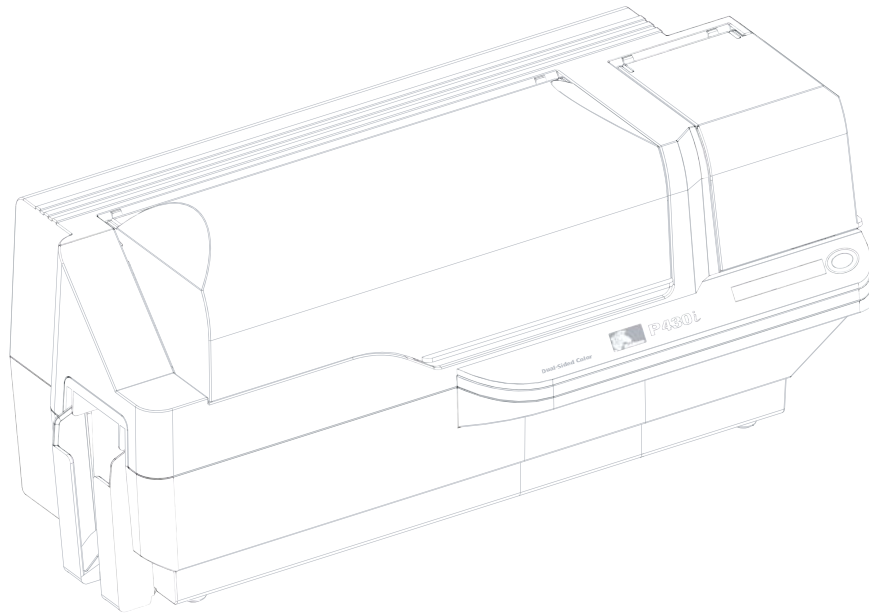


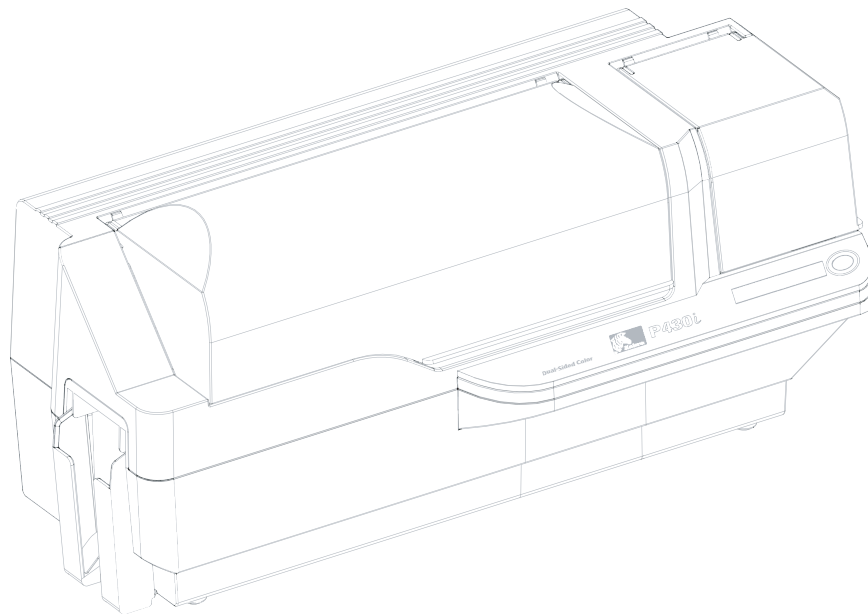


Table of Contents

1 • Introduction	1
Printer Features	1
Controls, Connectors, and Indicators	2
LCD Panel	3
2 • Installation and Setup	5
General Information	5
Unpacking the Printer	6
Installing the Print Driver Software and Setting Driver Options	10
Installing the P430i Print Driver	10
Loading a Ribbon	11
Installing the Card Cleaning Cartridge	14
Setting the Card Thickness Control	16
Loading Cards	18
Card Output Hopper	20
Connecting the Printer to your Computer	21
Connecting Power	22
Printing a Test Card	23
Packing the P430i Printer for Shipment	23
3 • Printing a Card	25
Setting Printer Properties	25
Printing a Sample Card	26
Removing Rejected Cards	27
Feeding One Card at a Time	28

4 • Cleaning	29
Cleaning the Printer	29
When to Clean	29
How to Clean	30
Cleaning the Print Head	31
Card Cleaning Cartridge	32
When to Replace the Cleaning Roller	32
How To Replace the Cleaning Roller	32
5 • Troubleshooting	35
Print Quality Issues	37
Troubleshooting the Ethernet Connection and Adapter	41
Resetting to Factory Defaults	41
Ethernet Adapter Status Indicator	41
Network Status/Activity Indicator	42
6 • Technical Specifications	43
General Specifications	43
Ribbon Specifications	43
Card Specifications	44
Bar Codes	44
Fonts	44
Card Dimensions	44
Bi-Directional Communications Interfaces	45
Mechanical Specifications	45
Electrical	45
Environmental	46
Options	46
Introduction	47
Media Loading Orientation	47
• Magnetic Card Stripe Encoder	47
Sample Encoding Program	48
Magnetic Encoder Cleaning	48
When to Clean	48
How to Clean	48
ISO Standard Encoding	49
Introduction	51
Media Loading Orientation	51

• Smart Card Contact Station	51
Smart Card Contact Station Interface	52
Printer Sharing	53
• Connecting to a Network	53
External Print Server	54
Internal Print Server	54
Sales and Support Locations	55
• Worldwide Sales & Support	55
Corporate Headquarters	56
Website	56



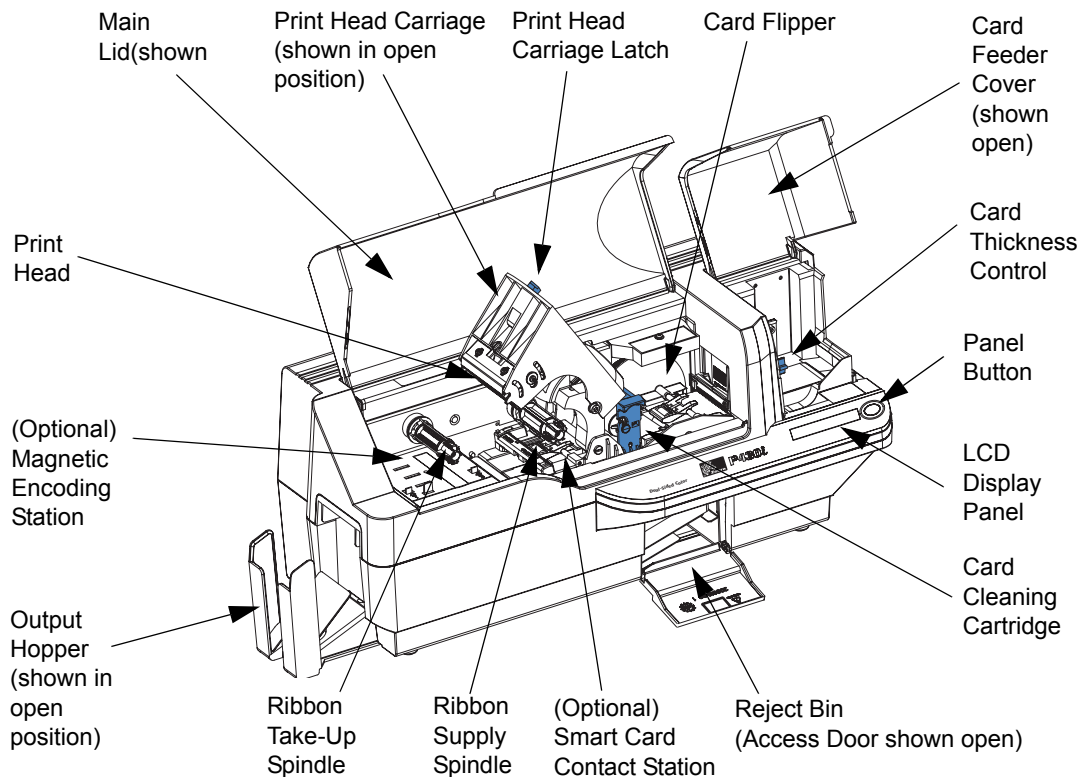


Introduction

Thank you for choosing the Zebra P430i Card Printer. This manual guides you to efficient start up and operation of your new Card Printer.

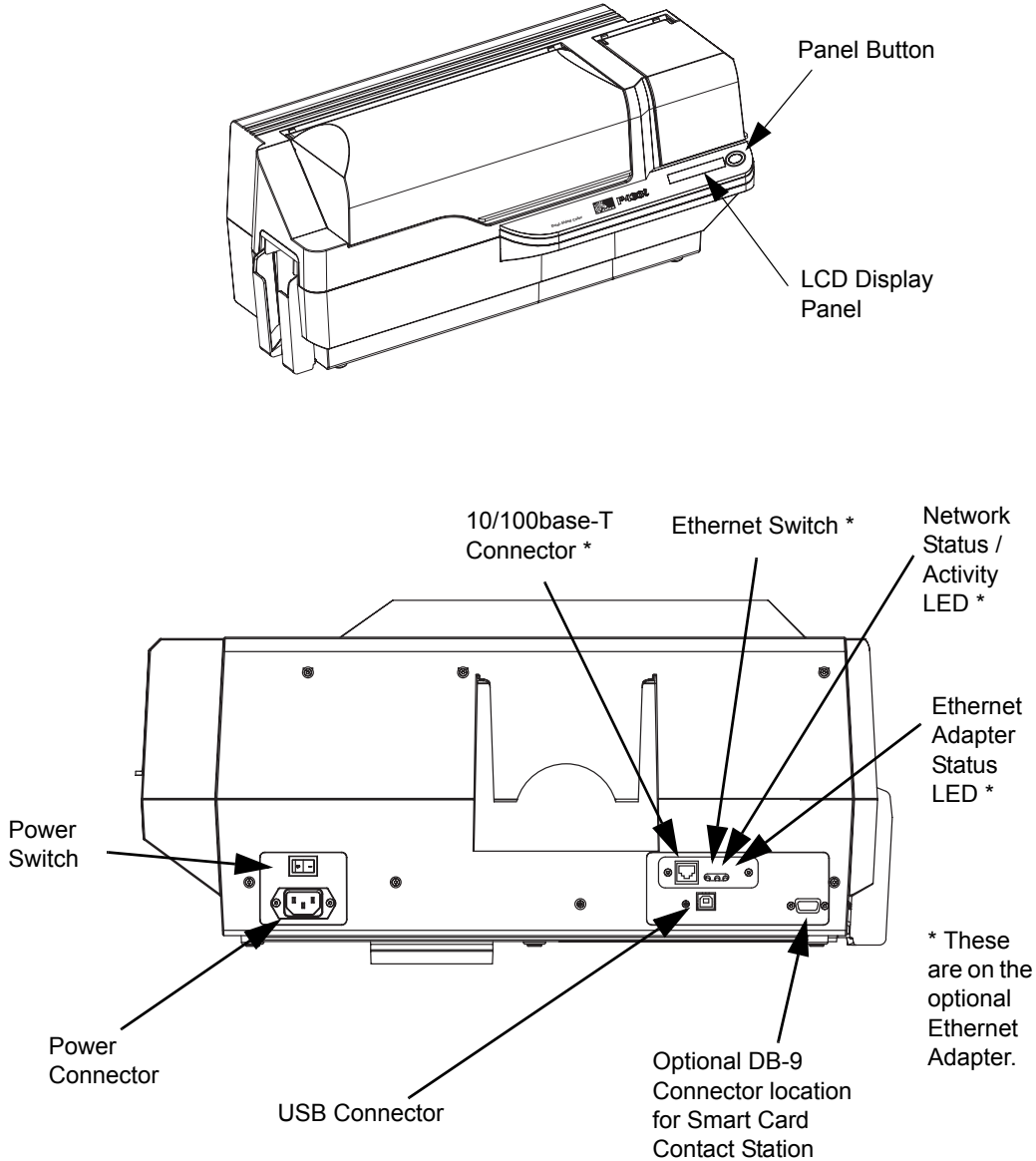
Printer Features

The following shows the main functional features found on your P430i Printer.



Controls, Connectors, and Indicators

Your P430i Printer has an LCD Display Panel and a Panel Button on the front and a power connector, power switch, and interface connector(s) on the rear panel.



LCD Panel

The LCD Panel can display the following messages:

Message	Mode
Operational	
Initializing	Scrolling
SELF TEST	Scrolling
READY	Fixed
DOWNLOADING DATA	Fixed
PRINTING MONO	Fixed
MAG ENCODING	Fixed
CONTACT ENCODING	Fixed
CONTACTLESS ENCODING	Scrolling
PRINTING CYAN	Fixed
PRINTING YELLOW	Fixed
PRINTING MAGENTA	Fixed
PRINTING BLACK	Fixed
PRINTING OVERLAY	Fixed
DOWNLOADING FW	Fixed
Warnings (Printer will still Operate)	
CLEAN PRINTER	Scrolling
ENCODING ERROR (printing stops)	Blinking
CONTACT ERROR	Blinking
CONTACTLESS ERROR	Scrolling
INVALID MAGNETIC DATA (encoding stops)	Scrolling
INVALID CONTACT DATA (encoding stops)	Scrolling
INVALID CONTACTLESS DATA (encoding stops)	Scrolling
EMPTY FEEDER & PRESS BUTTON	Scrolling
Cleaning	
CLEANING PRINTER	Blinking
REMOVE RIBBON THEN CLOSE HEAD	Scrolling
EMPTY FEEDER & PRESS BUTTON	Scrolling
LOAD CLEANING CARD INTO FEEDER	Scrolling
PRESS BUTTON TO CONTINUE	Scrolling
FEED LONG CLEANING CARD IN EXIT	Scrolling

Introduction

Controls, Connectors, and Indicators

Message	Mode
CLEANING PRINTER	Blinking
Errors (Printer will not operate)	
BROKEN RIBBON	Blinking
OUT OF RIBBON	Blinking
MECHANICAL ERROR	Blinking
OUT OF CARDS	Blinking
PRINT HEAD OPEN	Blinking
CHECK RIBBON	Blinking
REJECT BOX FULL	Blinking
LID OPEN	Fixed
COMMAND ERROR	Blinking



Installation and Setup

General Information

This section will guide you through the installation and setup of your P430i Card Printer. This consists of the following procedures, which should be performed in the order presented.

- Unpacking the Printer
- Installing the Print Driver Software and Setting Driver Options
- Loading a Ribbon
- Installing the Card Cleaning Cartridge
- Setting the Card Thickness Control
- Loading Cards
- Connecting the Printer to your Computer
- Connecting Power
- Printing a Test Card to verify printer operation

The procedure to be followed for Packing the Printer for Shipment is given at the end of this section.

The printer should be placed in a location that allows easy access to all sides. The printer should never be operated while resting on its side or upside down.



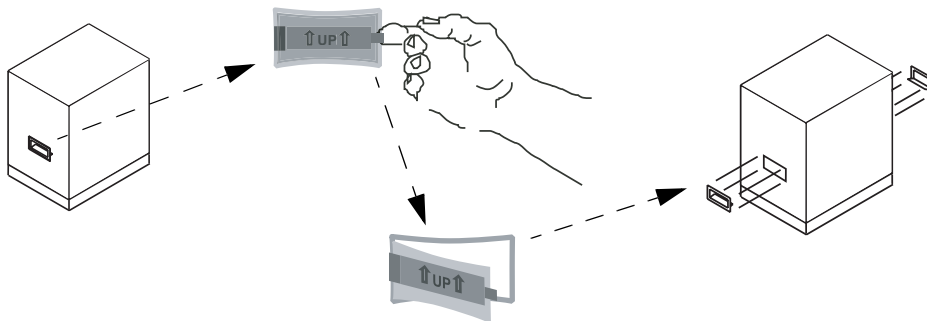
Electric Shock Caution • Limit AC power supplied to the P430i Printer to 100 – 230 volts, 60 ~ 50 Hertz. Limit excess current draw to 16 amps or less, using an associated circuit breaker or other such device. Never operate the printer in a location where operator, computer, or printer can get wet. Personal injury could result. The printer must be connected to an earthed electrical power source and properly protected against electrical surges and grounding faults; the electrical reliability of the printer is based on the reliability of the mains power source and with the earth connection.

The printer's power supply is an internal unit that can only be serviced or replaced by trained and authorized personnel.

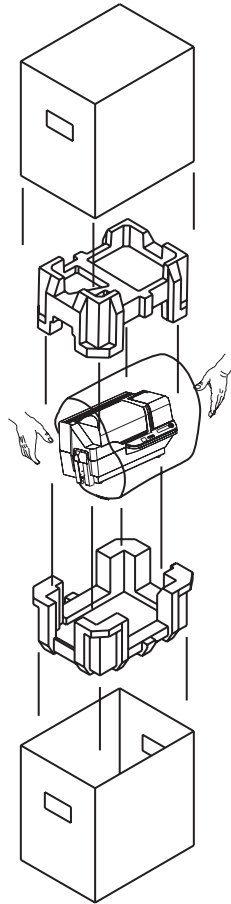
Unpacking the Printer

Your P430i Card Printer ships in a carton and protective anti-static bag. Keep all packaging material in case you need to move or re-ship the printer.

1. Inspect the shipping container to ensure that no damage has occurred during shipment. If any damage is apparent, file a claim with the shipper.
2. Unlatch and remove the handles on either end of the shipping container, as shown in the figure below.



3. (See the figure on the next page as you perform the following steps.) Lift the upper part of the shipping container off of the lower part (which will still hold the printer and its packing material).
4. Remove the packing material around the top of the printer.

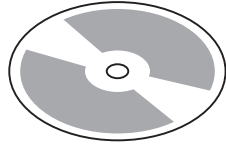


5. Lift the printer out of the carton by holding it with both hands.
6. Please ensure that you have a clean and nearly dust free environment for proper operation and storage of the printer.
7. Make sure the following items are included with your P430i printer:

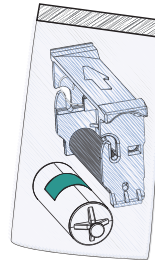
Installation and Setup

Unpacking the Printer

CD-ROM with Driver Wizard
and User's Manual



Card Cleaning Cartridge



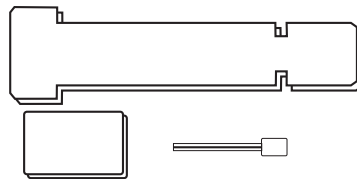
Power Cables (2)



USB Cable



Cleaning Kit



If any items are missing, please contact your dealer. To reorder, please refer to Appendix D of this manual.

8. Remove packing tape securing the printer's Main Cover and Card Feeder Cover.
9. Your P430i Printer ships with warning tape where the Card Cleaning Cartridge will be installed, and a pad that protects the print head from possible damage in shipment. To remove the tape and pad, follow the following steps:
 - a. Open the printer's main lid by lifting at its lower front lip.

