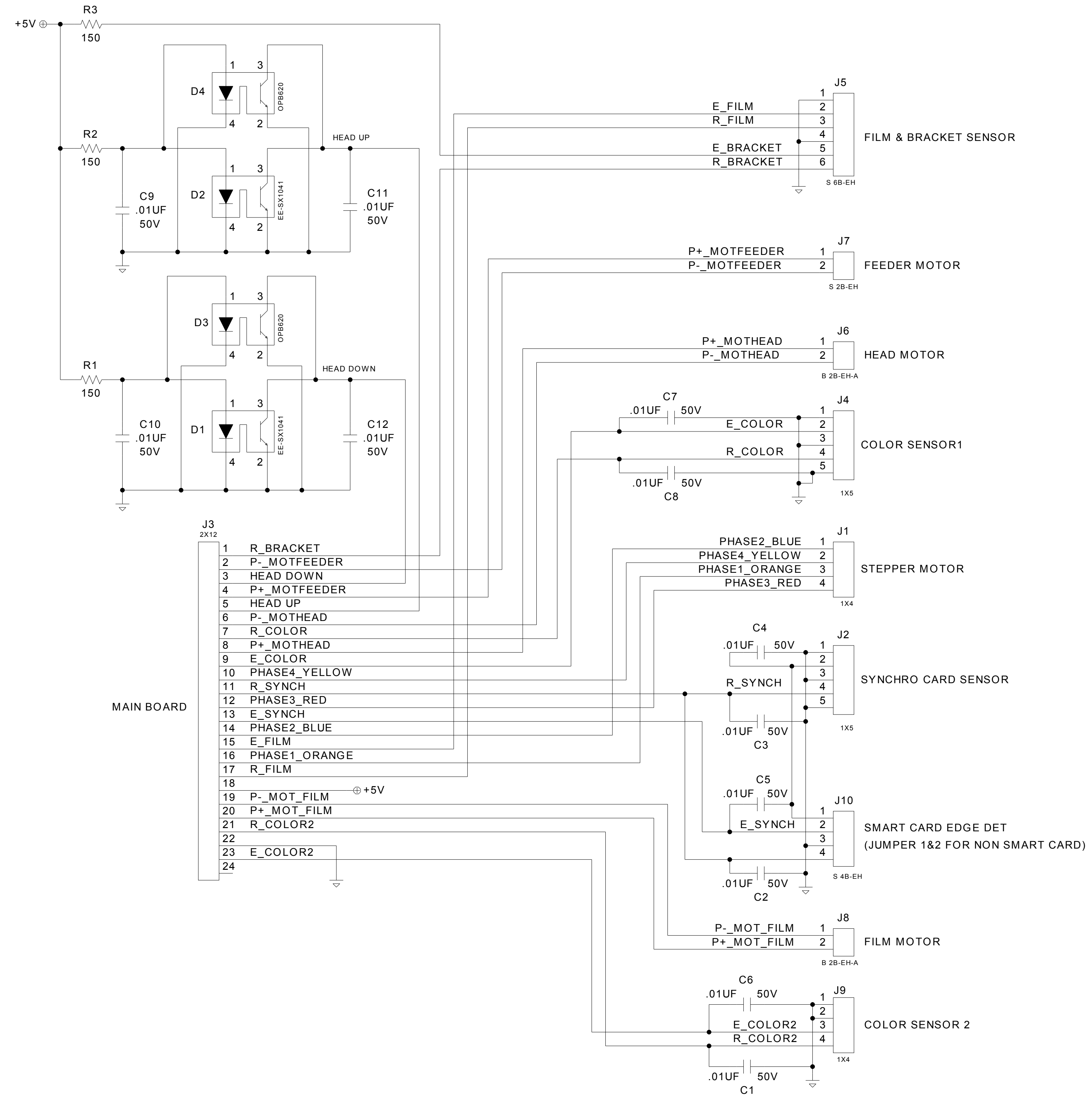



Eltron Card Printer		Scale	Date
Description		01/25/02	
P310 RFID Reader Board		Part Number	Revision
Sheet 1/1		402932-001 / AX2	

REVISIONS					
REV	DATE	ECO NO	DRAWN	DESCRIPTION	APPR
01	09/20/05		JHC	ROHS RELEASE MADE FROM 401252-001	
02	10/18/2005		JHC	ROTATED J6 AND J8	
A	04/20/2006		JHC	PRODUCTION RELEASED PER EO007128	





**Zebra Technologies Corporation**

THESE DRAWINGS AND SPECIFICATIONS ARE THE EXCLUSIVE PROPERTY OF ZEBRA TECHNOLOGIES CORPORATION. ARE FURNISHED FOR EVALUATION ONLY ON A CONFIDENTIAL BASIS, AND SHALL NOT BE DISCLOSED, REPRODUCED, COPIED, OR USED FOR ANY PURPOSE WHATSOEVER, EXCEPT WITH THE PRIOR WRITTEN CONSENT OF ZEBRA TECHNOLOGIES CORPORATION.	DRAWN	B E RYAN	TITLE		SCHEMATIC	
	DATE	20-4-2006_13:49	P330i, I/O DAUGHTER BD			
	ENGR	B E RYAN	DWG SIZE	D	DWG NO	403991-101
	APPR		REV	A	SAVED	
FIRST USE	XXXXXX					

THESE DRAWINGS AND SPECIFICATIONS ARE THE EXCLUSIVE PROPERTY OF ZEBRA TECHNOLOGIES CORPORATION. ARE FURNISHED FOR EVALUATION ONLY ON A CONFIDENTIAL BASIS, AND SHALL NOT BE DISCLOSED, REPRODUCED, COPIED, OR USED FOR ANY PURPOSE WHATSOEVER, EXCEPT WITH THE PRIOR WRITTEN CONSENT OF ZEBRA TECHNOLOGIES CORPORATION.

# BOM

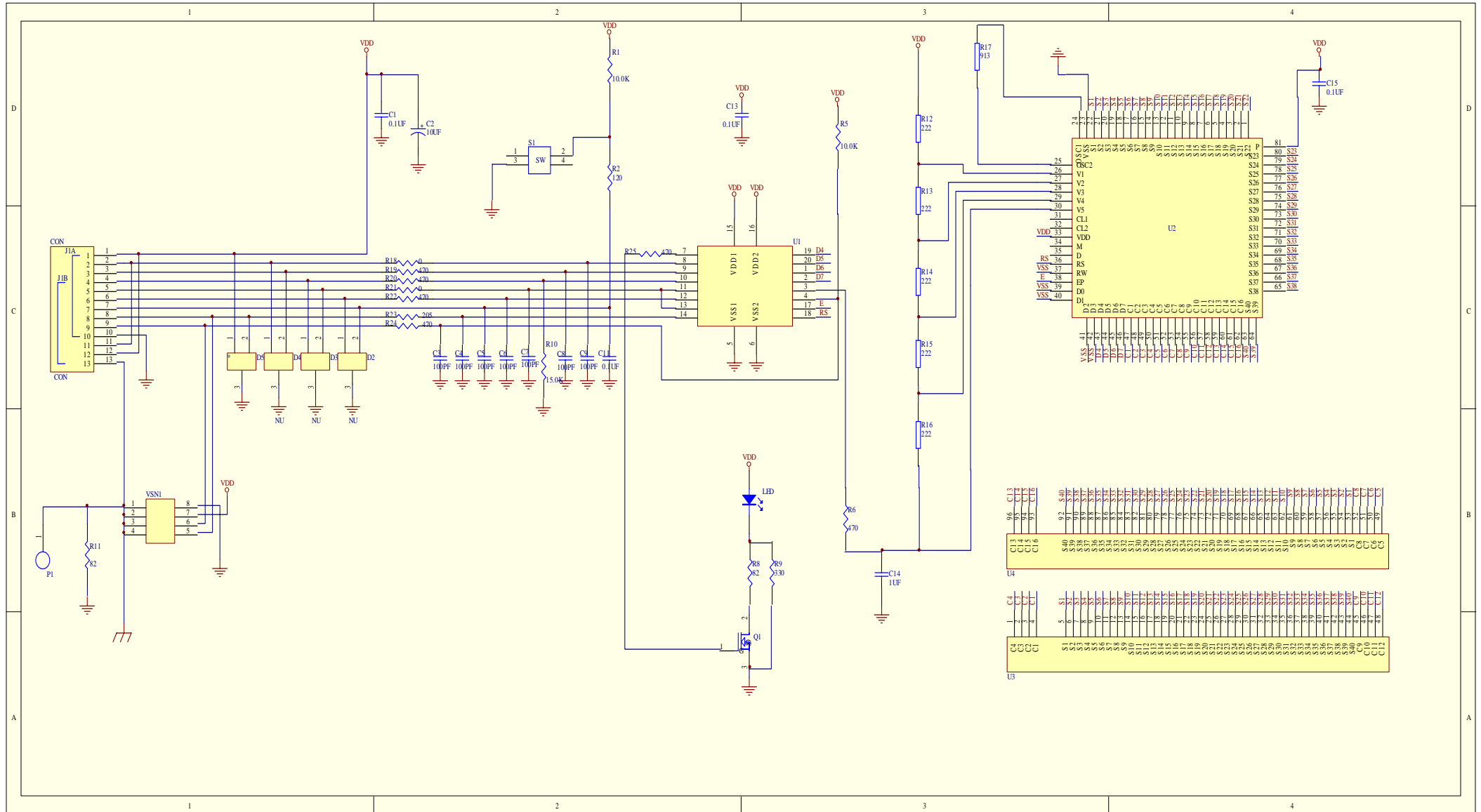
TYPE:EC016001NMCBW

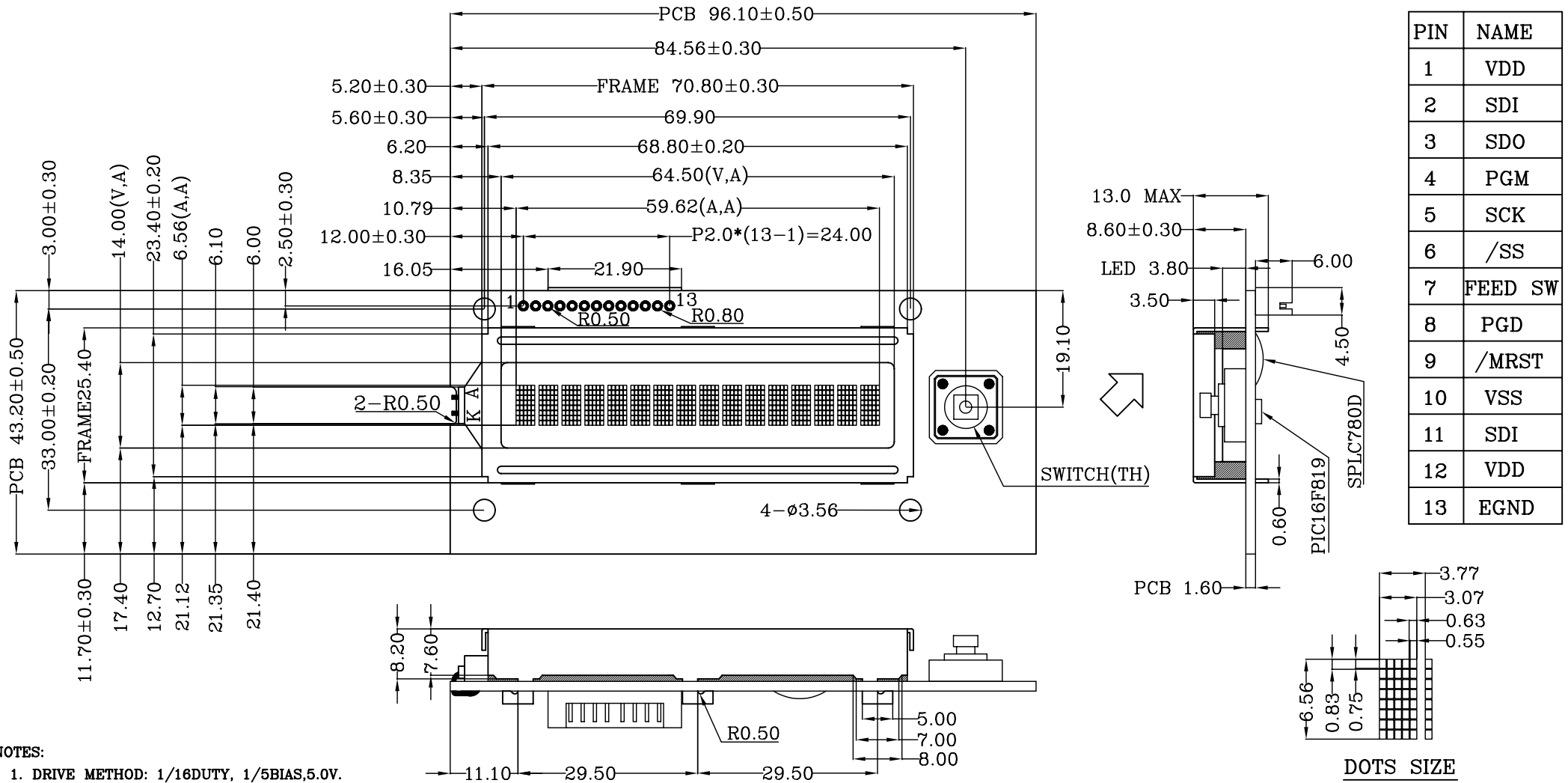
VER:04

DATA:2006/07/07

NO	RefDes	VALUE	Description	QTY	REMARK
1	R1、R5	10K	10k 0603 5% 1/10W	2	
2	R12~R16	2.2K	2.2k 0805 5% 1/8W	5	
3	R2	120Ω	120Ω 1210 5% 1/8W	1	
4	R17	91K	91k 0805 5%1/8W	1	
5	R6, R19, R20, R22, R24, R25	470Ω	470Ω 0603 5% 1/10W	6	
6	R10	15K	15k 0603 5% 1/8W	1	
7	R8、R11	82Ω	82Ω 1206 5% 1/8W	2	
8	R18、R21	0Ω	0Ω 0603 5% 1/8W	2	
9	R23	205	205 0603 1% 1/10W	1	
10	R9	330Ω	330Ω 1206 5% 1/8W	1	
11	C1、C11、C13、C15	0.1UF	0.1uF 0603 10% 16V	4	
12	C3~C9	100PF	100pF 0603 10% 16V	7	
13	C2	10UF	10uF 6032 10% 16V	1	
14	C14	1UF	1uF 1206 20% 16V	1	
15	U2	SPLC780D	SPLC780D-003A-C , COB	1	
16	U1	PIC16F819	PIC16F819	1	
17	Q1	FDN359AN-NL	FDN359AN , SOT-23	1	
18	S1	B3F-4055	DIP	1	*
19	CN(J1B)	ST B10B-PH-K-S(LF)(SN	10P, PITCH:2.0, White 180DEG	1	*
20	D5	PACDNO42Y3R	DUAL, TVS, 300mW, SOT23-3	1	
21	D2, D3, D4	NC	DUAL, TVS, 300mW, SOT23-3	0	no component
22	VSN1	AVNC5S 05Q	AVNC5S 05Q 050 0402 4LINE	1	

EC016001N





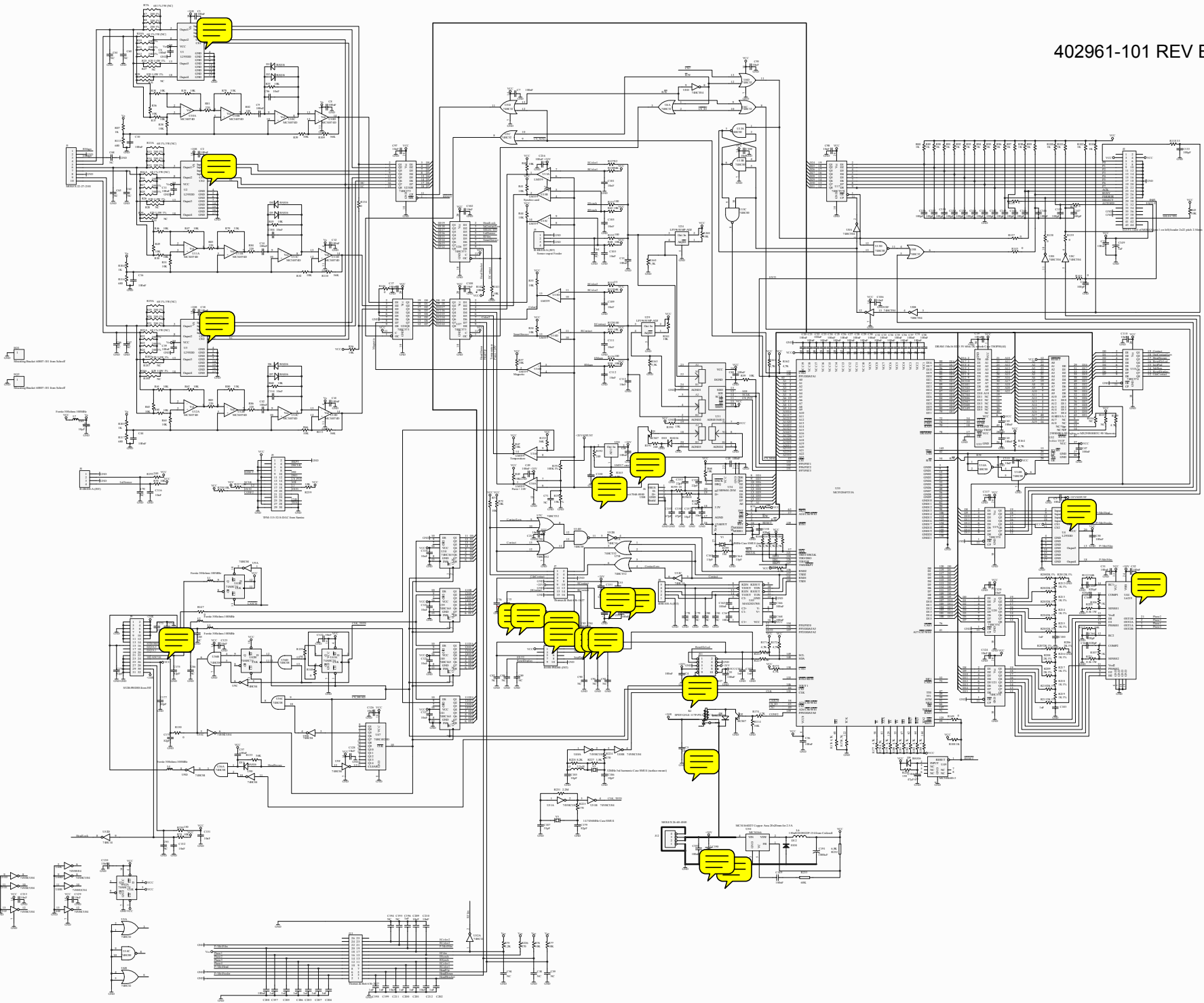
PIN	NAME
1	VDD
2	SDI
3	SDO
4	PGM
5	SCK
6	/SS
7	FEED SW
8	PGD
9	/MRST
10	VSS
11	SDI
12	VDD
13	EGND

NOTES:

- DRIVE METHOD: 1/16DUTY, 1/5BIAS,5.0V.
- VIEWING ANGLE: 6 O'CLOCK.
- DISPLAY TYPE: STN, TRANSMISSIVE/NEGATIVE.
- OPERATING TEMP: 0 TO 50°C.
- STORAGE TEMP: -20 TO 70°C.
- CONNECTION: ZEBRA.
- IC: (CONTROLLER)UI PIC16F819,(LCD DRIVER)SPLC780D-003A-C.
- LED COLOR: WHITE.
- CONNECTOR: JST S10B-PH-K-S(LF)(SN) OR JS-2001-180°.
- TEXT STYLE: ENGLISH/EUROPEAN FONTS.
- FALCON:PIN#4-13.
- COPPER LAYER ON THE ANY PCB FREE SPACE.
- VSN1 ADDED TO PCB.
- SWITCH PUSH BOTTON DPST TH.
- CUSTOMER NO. : 404440-002P.
- NOT DIMENSION TOLERANCES IS ±0.2.
- The Part meets RoHS Compliance requirements.

The pcb layout from 2 layer change(EC016001G) to 4 layer(EC016001N)  
 for EC016001G LCD module,also the customer part number is 404440-002P.

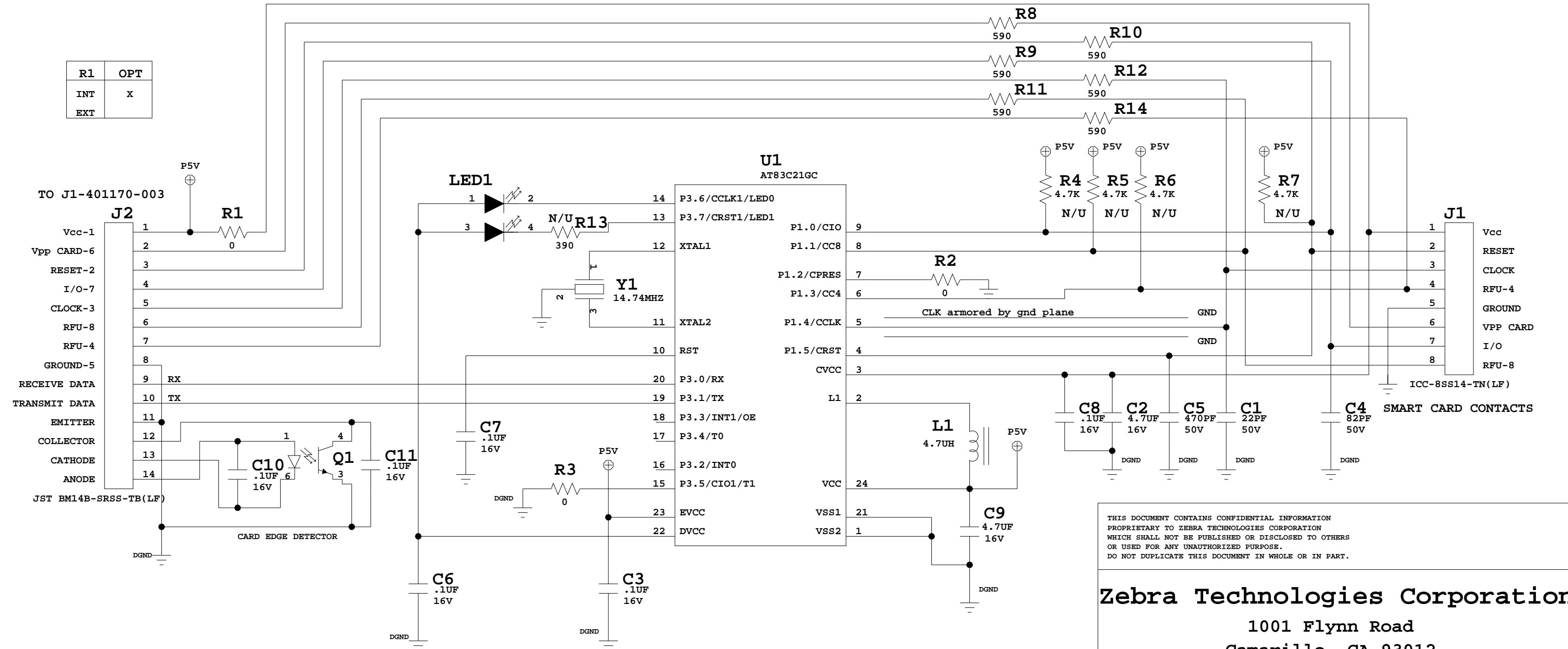
Date	Vesion	Description	CUSTOMER	PRIMEYOUNE	DATE	TITLE	
			DWN	HuangJingzhi	DATE 2006.04.7	MD DRAWING	
			CHKD		DATE	MODEL	
			APVD		DATE	EC016001N	
<b>ViGOUR TECHNOLOGY CORP.</b>						PAGE	1/1



Part Number	Revision	Quantity	Notes
402961-101	REV B	1	

Rev	By	EO#	Description
01	JHC		ROHS RELEASE FROM G401181-101
A	JHC		PRODUCTION RELEASE PER E0006380
A	JHC		ROHS PRODUCTION RELEASE PER E0007311

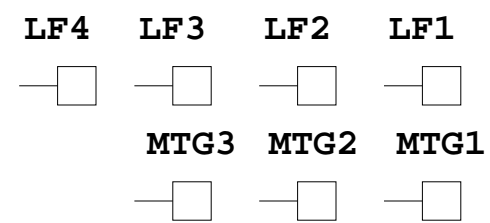
R1	OPT
INT	X
EXT	



THIS DOCUMENT CONTAINS CONFIDENTIAL INFORMATION PROPRIETARY TO ZEBRA TECHNOLOGIES CORPORATION WHICH SHALL NOT BE PUBLISHED OR DISCLOSED TO OTHERS OR USED FOR ANY UNAUTHORIZED PURPOSE. DO NOT DUPLICATE THIS DOCUMENT IN WHOLE OR IN PART.

**Zebra Technologies Corporation**  
 1001 Flynn Road  
 Camarillo, CA 93012  
 WWW.ZEBRA.COM      VOICE: 805-578-1365      FAX: 805-581-7623

TITLE		SCHEMATIC DWG	
RESPONSIBLE ENGINEER		JHC	
DATE CHECKED		12-17-04	
SIZE	NUMBER	REV	
<b>B</b>	<b>401181G-101</b>	<b>A</b>	
FILENAME	LAST TOUCHED	SHRFT	
401181G-101-A	6-28-2006_12:32	1 of 1	



NOTES: