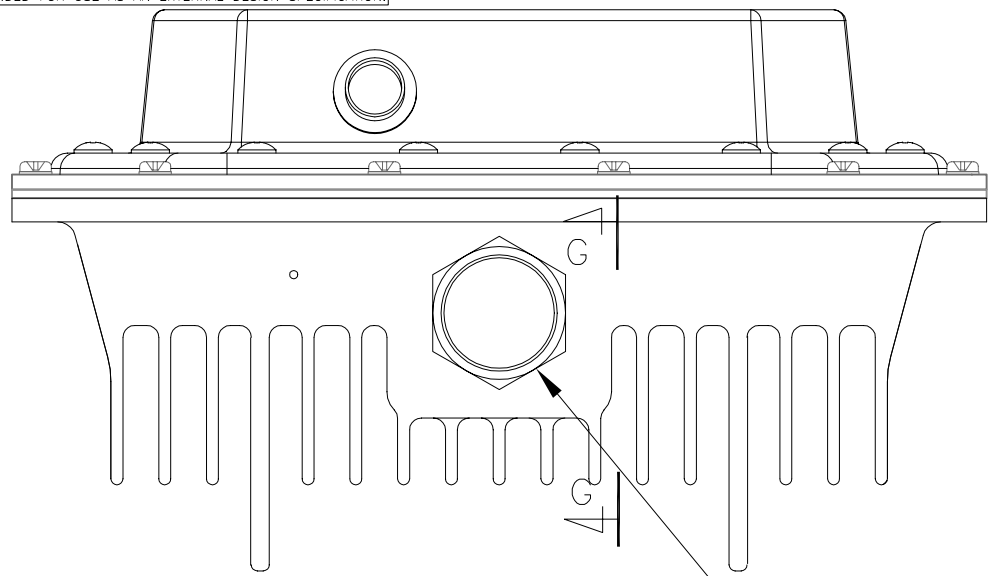
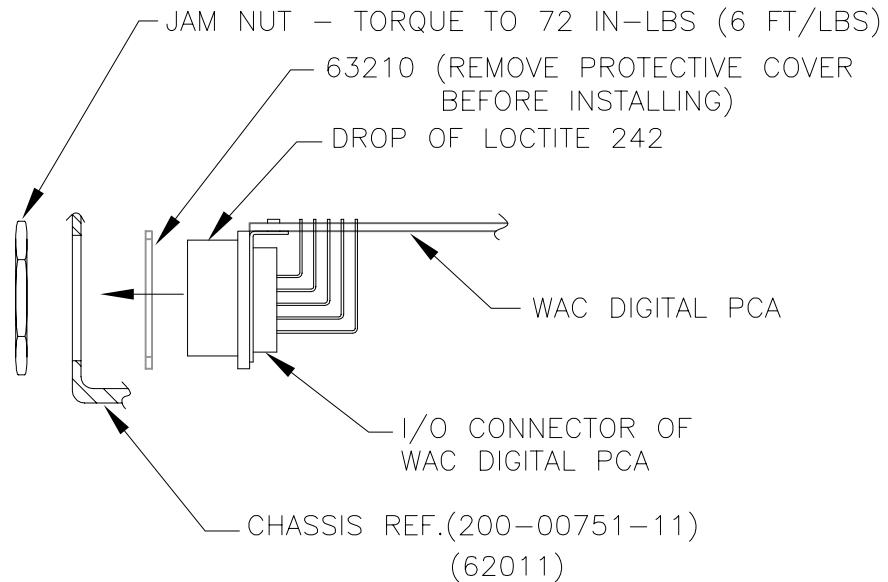


THIS DRAWING CONTAINS PROPRIETARY INFORMATION OF PROXIM AND MAY NOT, IN WHOLE OR PART BE DUPLICATED, DISCLOSED OR USED FOR MANUFACTURE OF ANY PART DESCRIBED HEREIN WITHOUT THE PRIOR WRITTEN PERMISSION OF PROXIM; AND IS NOT INTENDED FOR USE AS AN EXTERNAL DESIGN SPECIFICATION.

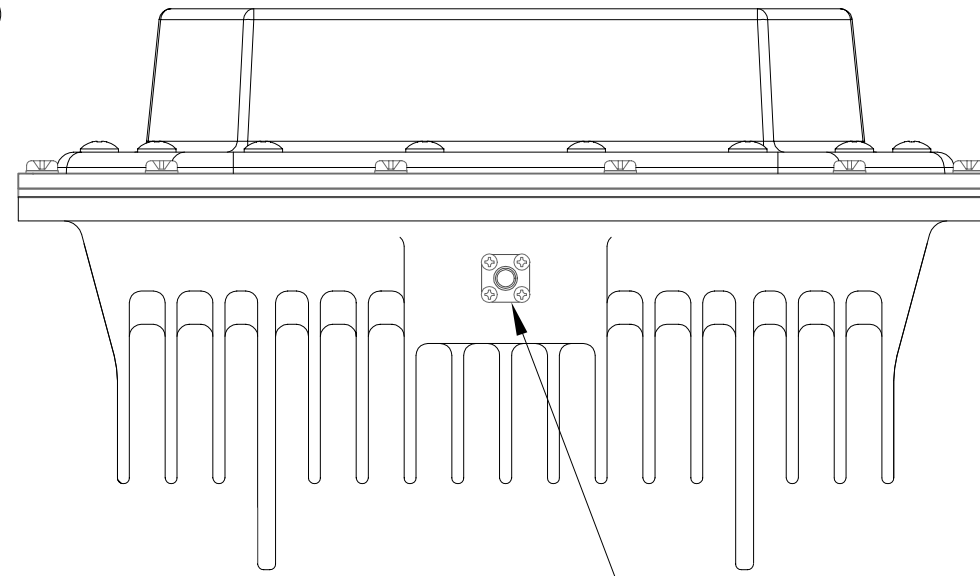


VIEW B-B
ROTATED 90°

JAM NUT
(PART OF WAC DIGITAL PCA)

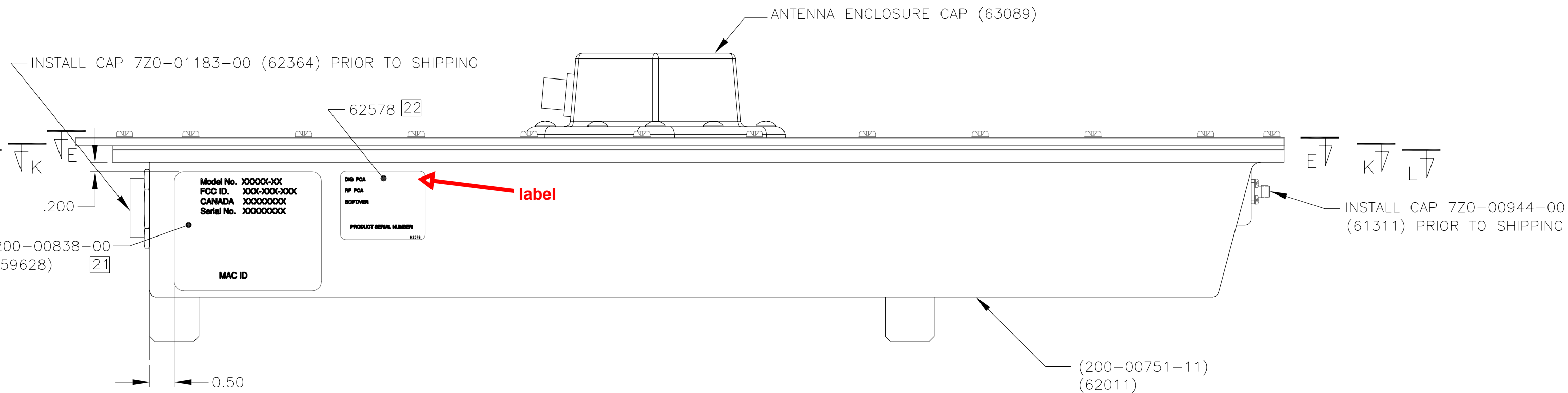


SECTION G-G



VIEW C-C
ROTATED -90°

(100-00753-00)
(59404)



VIEW A-A (LABEL SIDE)

FOR NOTES SEE SHEET No. 1

TOP ASSEMBLY, WAC			ISS 1
TRANSCEIVER w/REMOTE ANTENNA			
SIZE D	FILE: SHEET 3 OF 7	63503	