

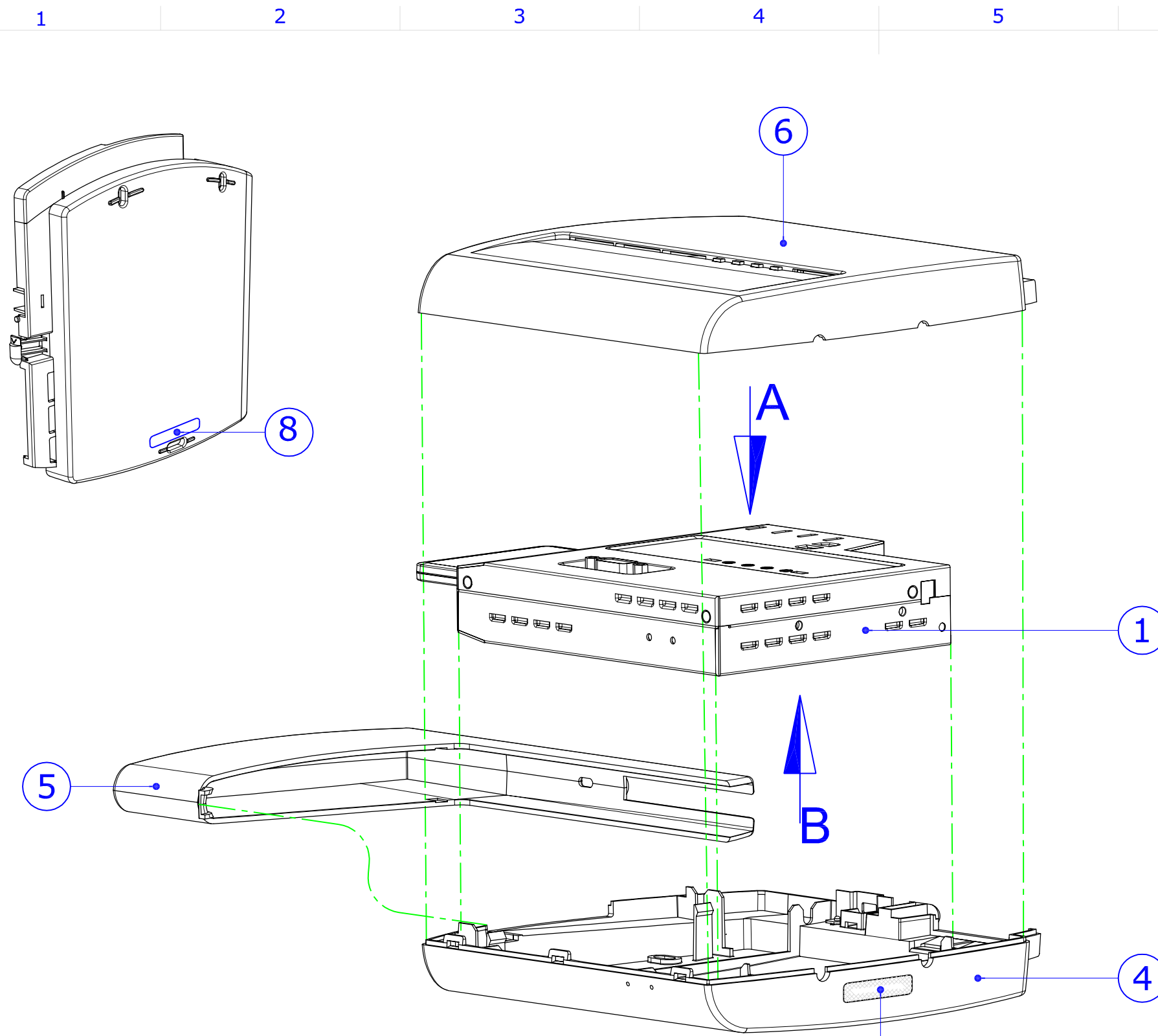
????????????????? [RadioOEMname] ??????????????????

Wireless MAC-Addr. : ????? [MAC] ?????

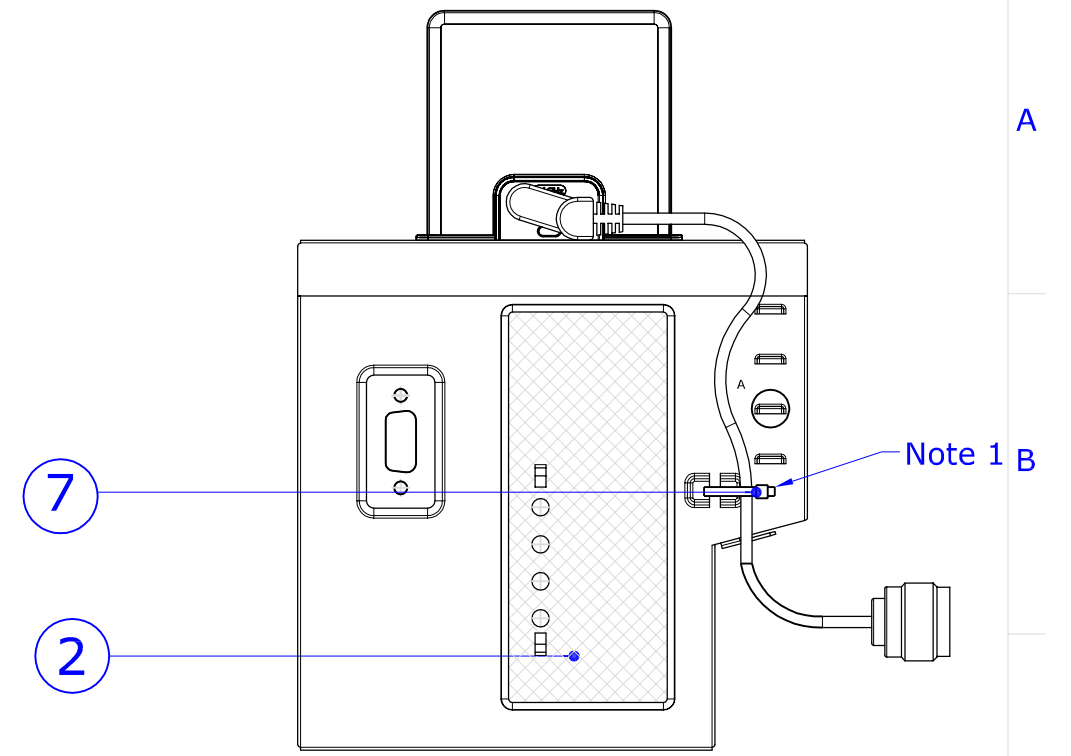
Proxim Corporation Model: ? [RadioModel] ?
?????????? [AntennaModel] ??????????

FCC ID HZB-A09UCF
IC : 1856A-A09UCF

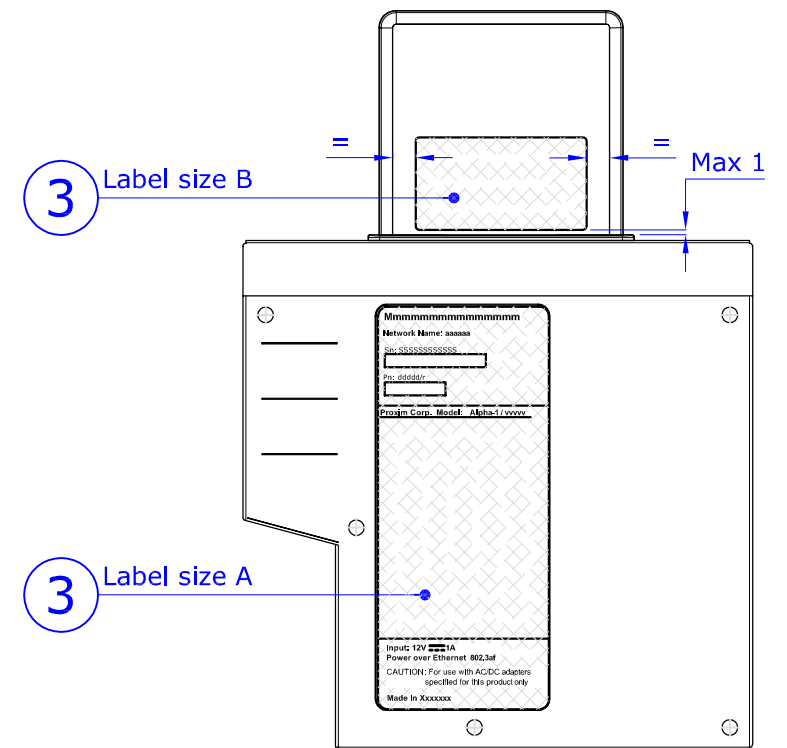
For other approvals see user documentation
MADE IN ?????? [Country] ??????



Note:
1- Tied the pigtail with the cable strap and cut it to the edge



View A



View B

Proxim Corporation



UNIT: mm

SCALE: 1:1

SHEET: 1/1

SIZE: A3

DESIGN & ENGINEERING: spark

DOCUMENT NO:

63752

REV:

A

DESCRIPTION: Assembly Drawing Alpha 1 Module Loaded, Rome Plastic Enclosure, Tsunami