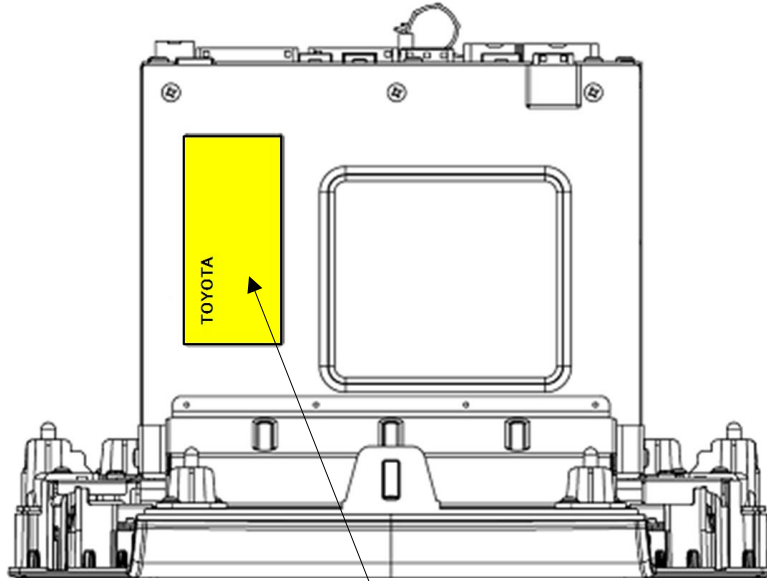
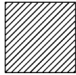


**Product:** Navigation ECU

**Model:** DNNS082-02

**Marking location and layout:**



<b>TOYOTA</b>		FCC ID:HYQDNNS082-02 FCC ID:HYQDNNS134
86804 - 47530		This device complies with part 15 of the FCC Rules. Operation is subject to the following two conditions : (1) This device may not cause harmful interference, and (2) this device must accept any interference received, including interference that may cause undesired operation.
468100 - 3504		
12V		
	0	IC:1551A-DNNS08202
<b>DENSO</b>	468147003000001	Model:DNNS082-02
<b>MADE IN JAPAN</b>		HD Radio Technology manufactured under license from iBiquity Digital Corporation. U.S. and Foreign Patents. HD Radio™ and the HD, HD Radio, and "Arc" logos are proprietary trademarks of iBiquity Digital Corp.

Note:

Compliance statement of marking will not be changed.

Marking layout, size and other indications maybe changed and added.

---