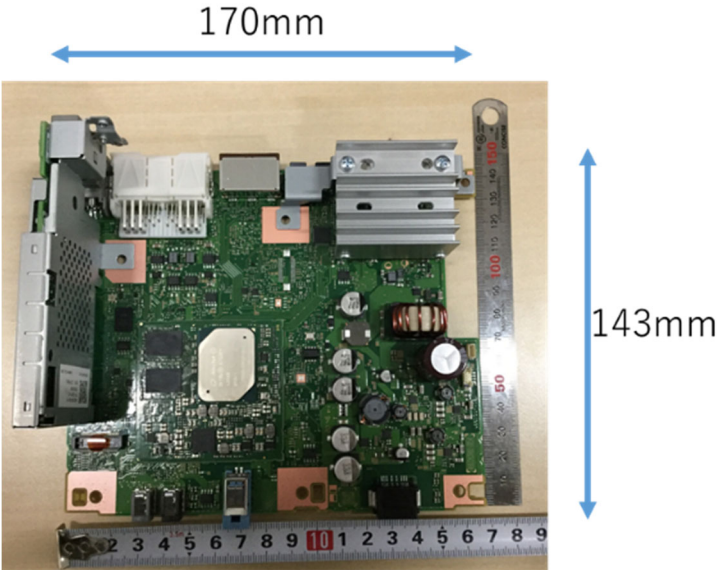


**DENSO CORPORATION**  
**Cockpit Control Unit**  
**Model: DNNS124**

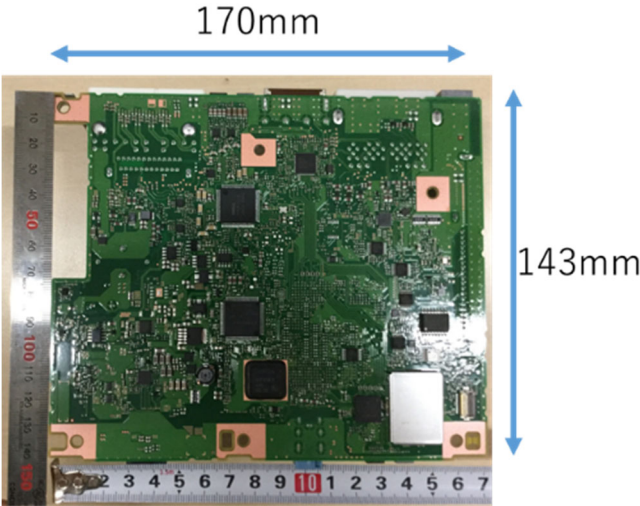
**Internal Photos**

Cockpit Control Unit (CCU)



Unit : mm  
Scale : Free

**Component Side(Cockpit Control Unit) – Main PCB**

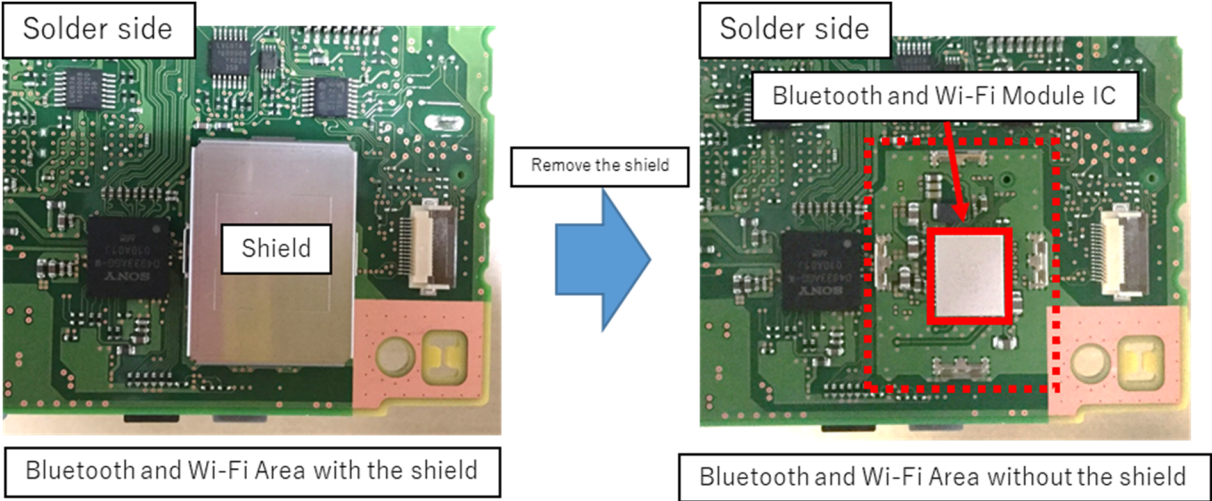


Unit : mm  
Scale : Free

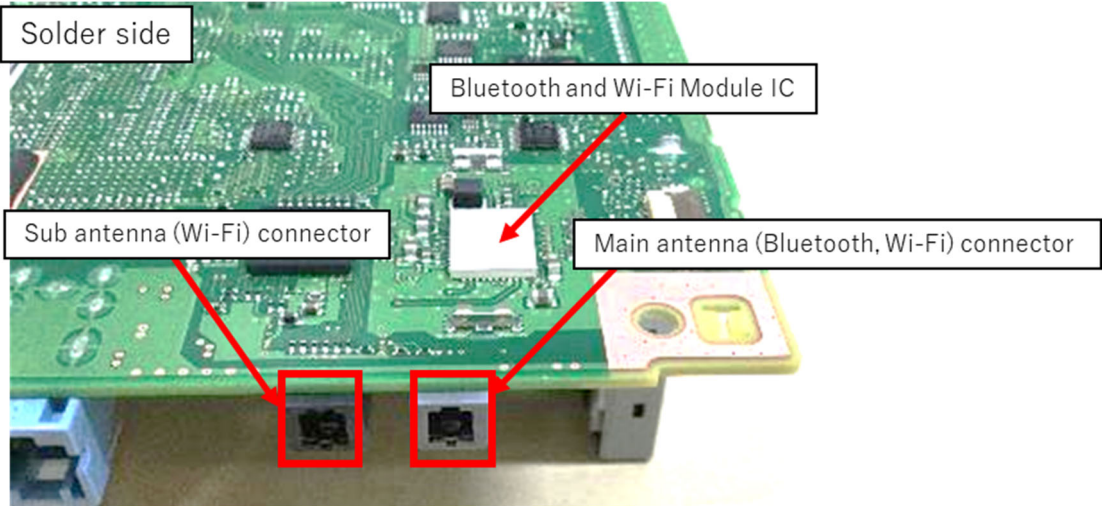
**Solder Side(Cockpit Control Unit) – Main PCB**

**Internal Photos**

The Bluetooth and Wi-Fi area is shown in **the red dotted frame**, and Bluetooth and Wi-Fi module IC is shown in **the red frame** in the picture.



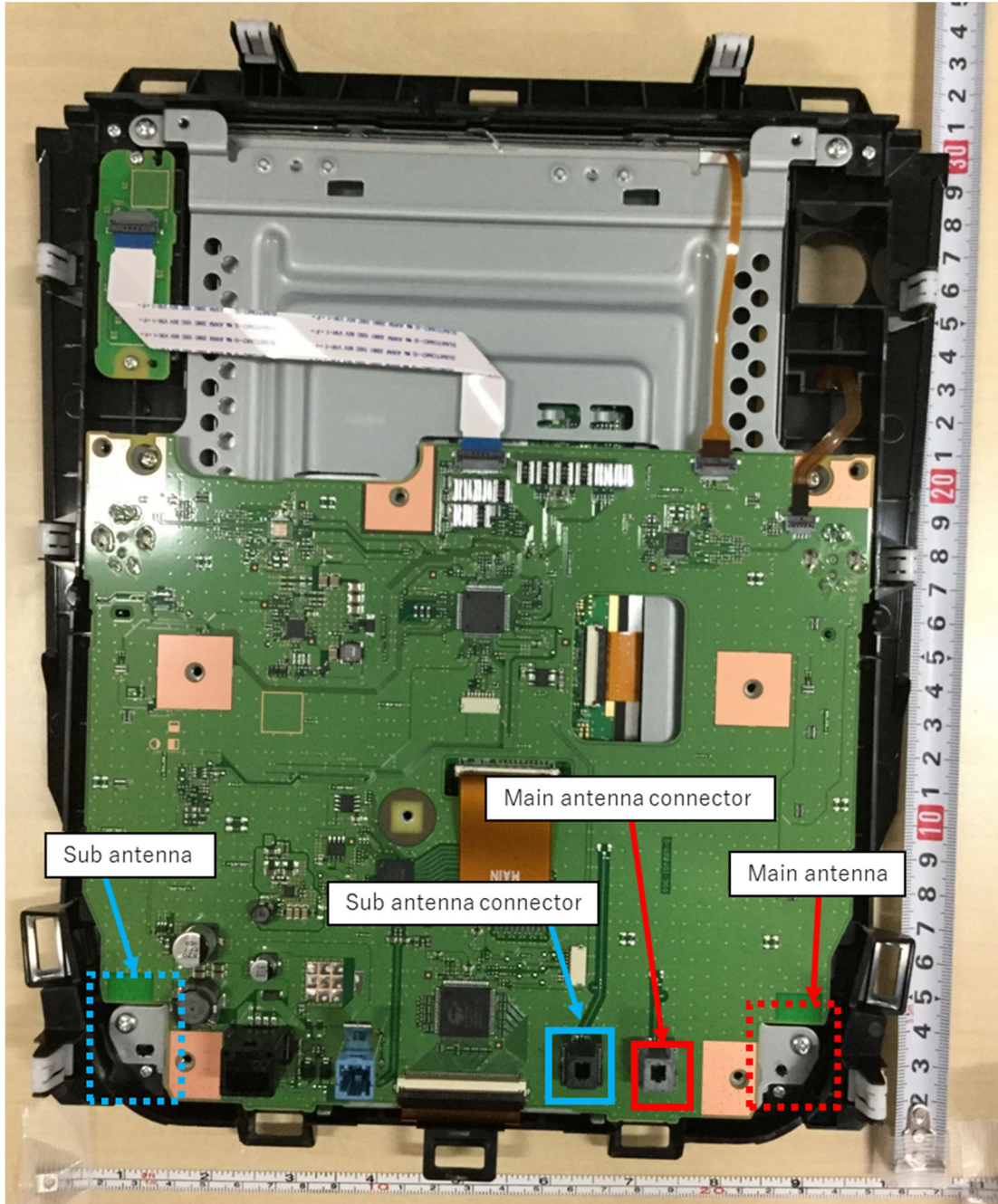
The main antenna and sub antenna connectors are shown in **the red frame** in the figure.



**Internal Photos**

The main antenna and sub antenna are mounted on the Center Information Display (CID).

The main antenna and sub antenna are shown the red dotted frame and the blue dotted frame, and the each connectors are shown the red frame and the blue frame in the figure.



**Center Information Display**

**Internal Photos**

The main antenna and sub antenna are shown in the figure.



**The main antenna and sub antenna**

**Internal Photos**

The figure below shows the connection between CCU and CID.

