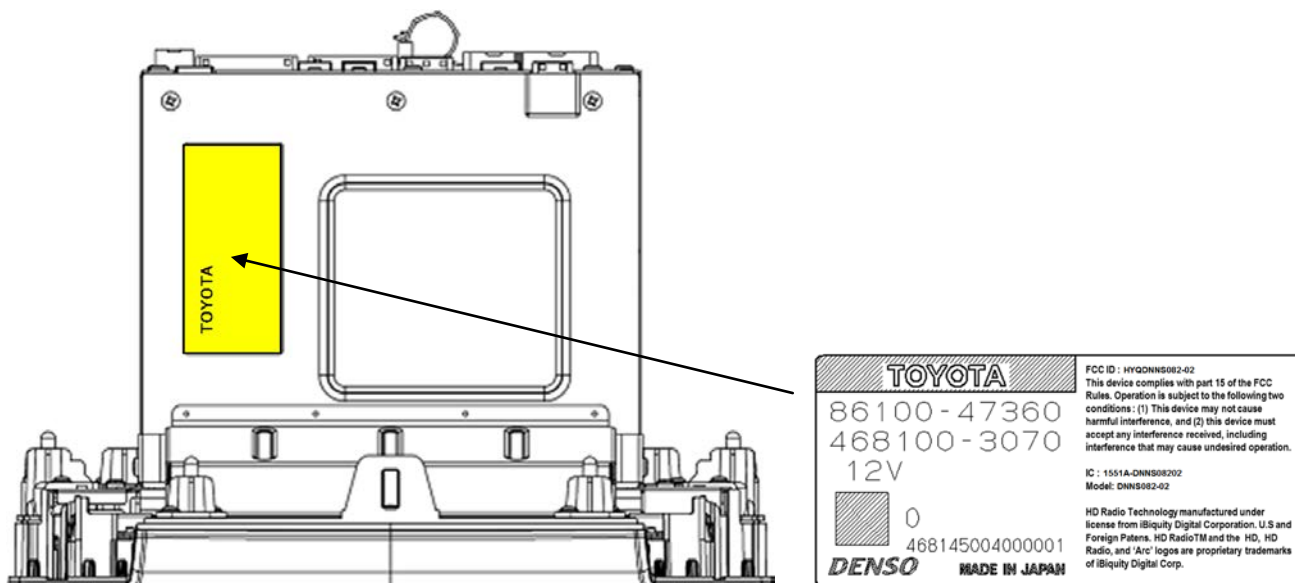


8. Marking location and layout



Note:

Marking layout, size and other indications may be changed.