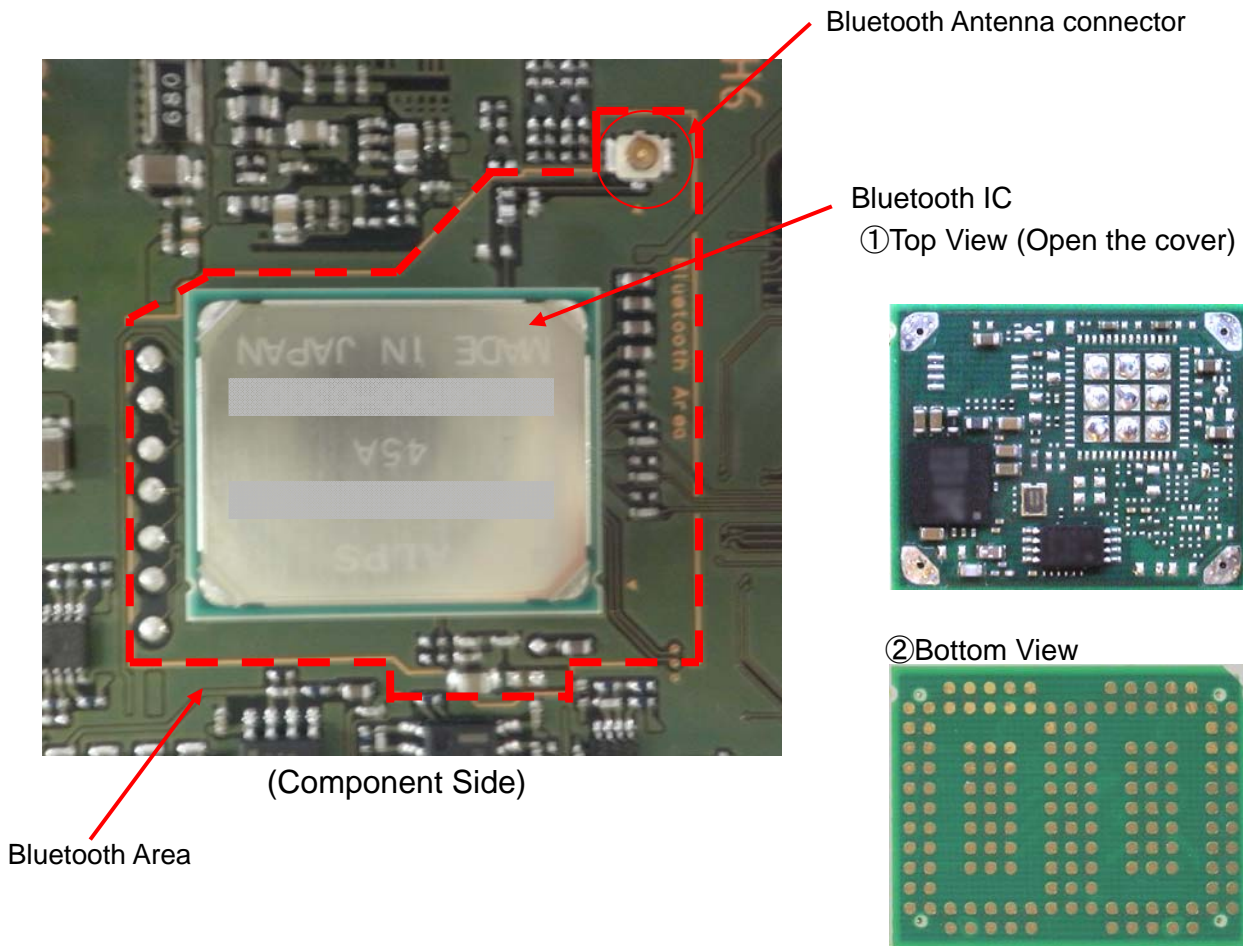
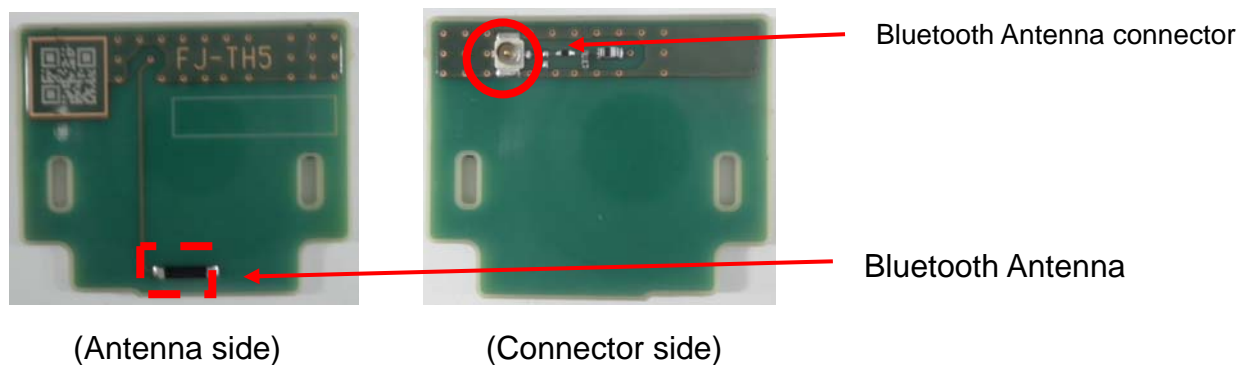


Internal Photos

(1) Bluetooth Area

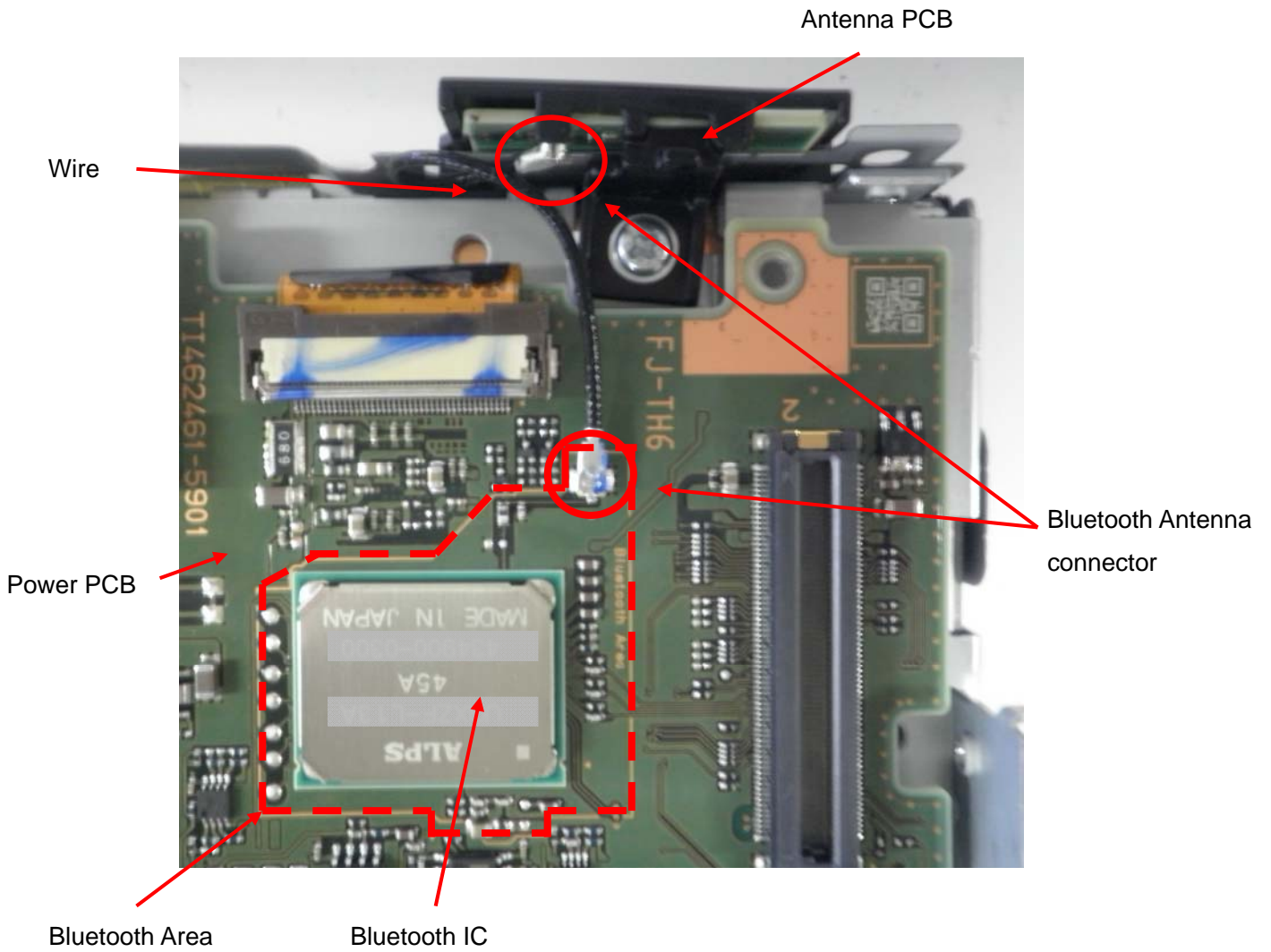


(2) Antenna PCB



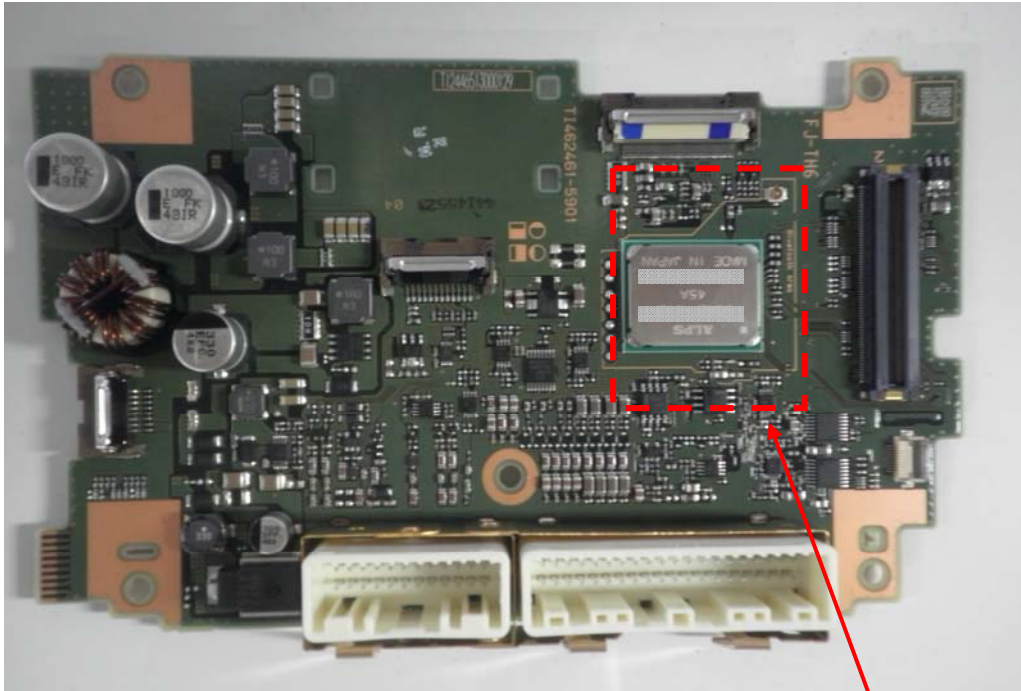
Internal Photos

(3) Connection between Bluetooth Area and Antenna PCB



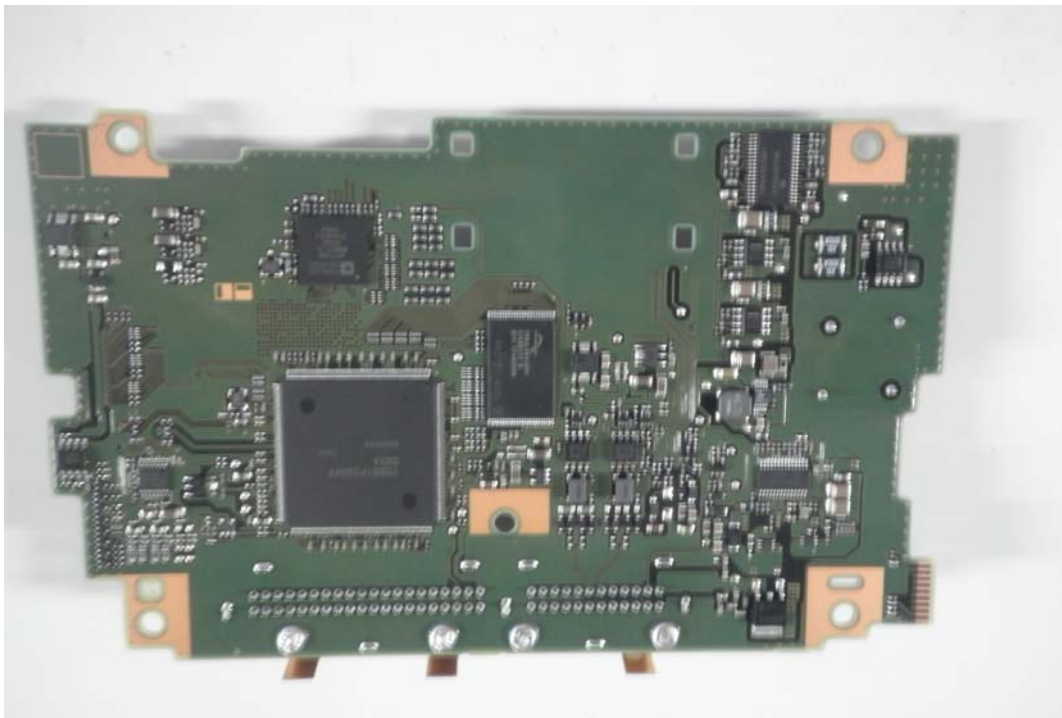
Internal Photos

(4) Bluetooth Area on Main PCB



(Component Side)

Bluetooth Area



(Solder Side)

Internal Photos

(5) Bluetooth Area and Bluetooth Antenna

