



Technical Document for Type Approval  
for Bar code Handy Terminal

TYPE : BHT-7500S

<u>Details of content</u>		<u>Page</u>
1. Description of manufacturer	...	1
2. Technical description of the system	...	2
3. Outline of the system	...	3
4. Block diagram	...	4-5
5. Component layout	...	6-7
6. PCB layout	...	8- 9
7. Circuit diagram	...	10-15
8. Component listing	...	16-19
9. Description of antenna	...	20
10. Marking location and layout	...	21



1. Description of manufacturer

1.1. Trade mark

: ***DENSO***

1.2. Name and address of manufacturer

- Name : DENSO CORPORATION
- Address : 1-1 Showa-cho, Kariya-shi, Aichi-ken, 448-8661,  
Japan

1.3. Name and address of applicant

- Name : DENSO CORPORATION
- Address : 1-1 Showa-cho, Kariya-shi, Aichi-ken, 448-8661,  
Japan



## 2. Technical description of the system

### 2.1. Type number

- Bar code Handy Terminal : BHT-7500S

### 2.2. Specifications of Bar-code Handy Terminal

- Input voltage : 3 VDC  
- Operation temperature : -5 to 50 degreesS  
- Operation humidity : 20 to 80 %

### 2.3. Specifications of Radio Frequency module (RF module)

- Frequency Range : 2.4 - 2.4835 GHz  
- Radio Type : Spread Spectrum, Frequency Hopping  
- Output Power : +20 dBm EIRP  
- Data Rate : 1.6 Mbps(main), 800kbps(backoff)  
- Modulation Type : 4FSK(main), BFSK(backoff)  
- Antenna Type : Chip antenna



### 3. Outline of the system

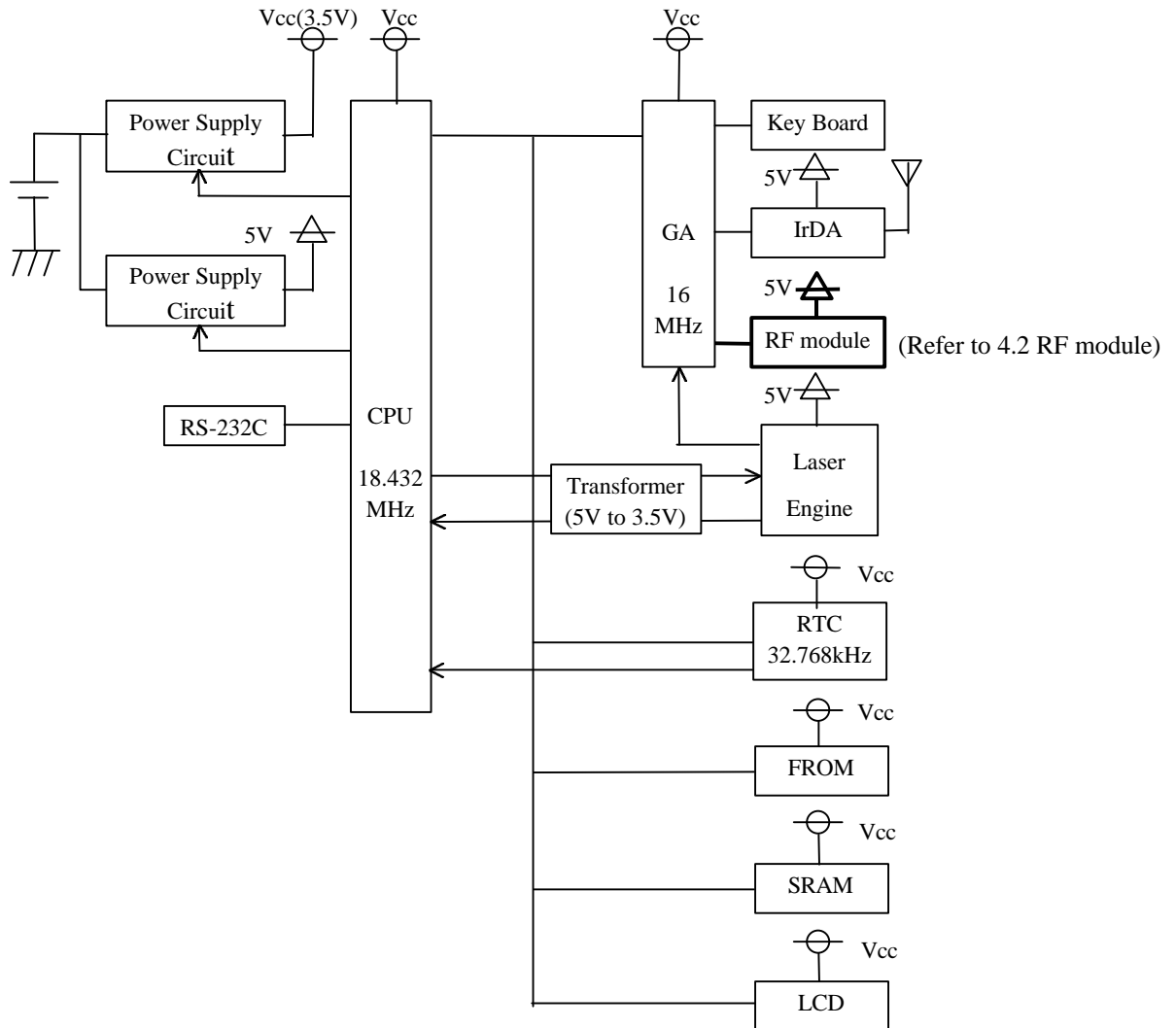
#### 3.1. Description of the product operation

This product is mainly used for reading bar codes and transmitting data of the bar codes to a host computer.

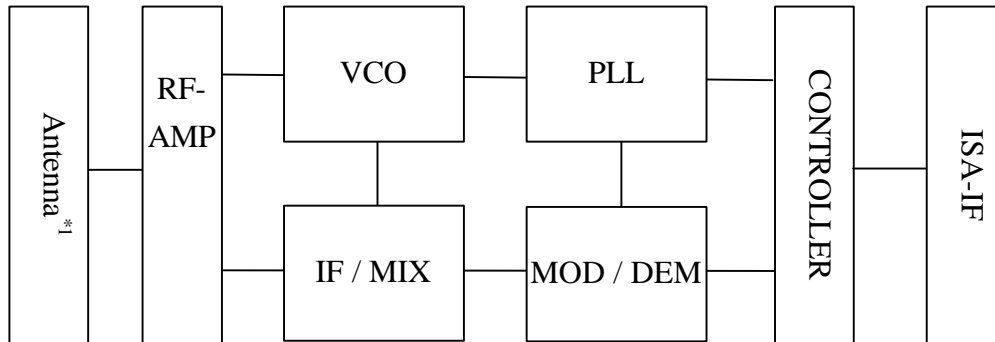
BHT-7500S send a radio wave signal while the data is transmitted.

## 4. Block diagram

### 4.1 Bar-code Handy Terminal



## 4.2. RF module



- Note -

\*1 : This RF module is complied with FCC requirement Subpart C. (FCC ID : IMKRL26330M)  
But the antenna is changed from original antenna.  
(Description of antenna is shown on clause “7. Description of antenna”.)