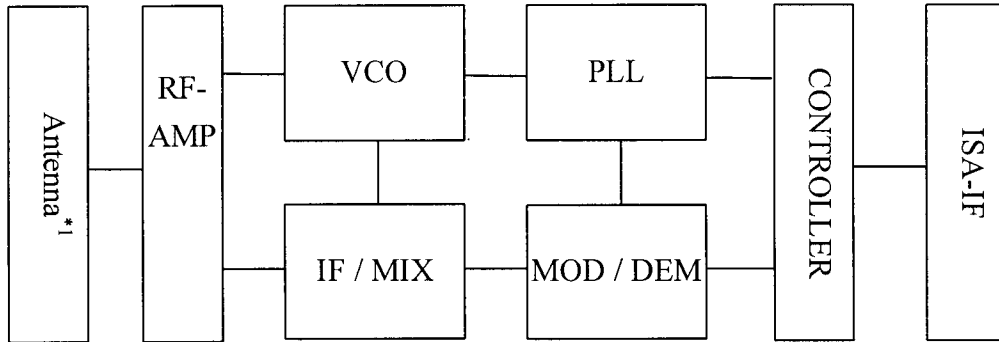


4.2. RF module



- Note -

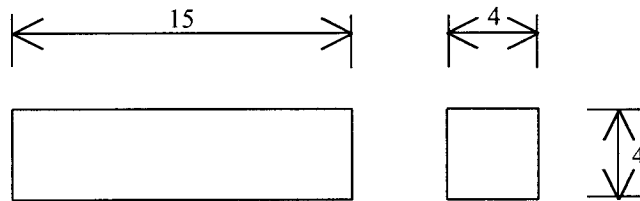
*1 : This RF module is complied with FCC requirement Subpart C. (FCC ID : IMKRL26330M)
But the antenna is changed from original antenna.
(Description of antenna is shown on clause “7. Description of antenna”.)

9. Description of antenna

9.1. Electrical description

- Input impedance : 50 ohm (Nominal)
- Frequency band : 2400 MHz to 2497 MHz
- Gain : Over -6dBd
- Maximum allowance electrical power : Less than 1 W

9.2. Appearance of antenna



Unit : mm

Fig. Appearance of antenna