

7. Circuit diagram

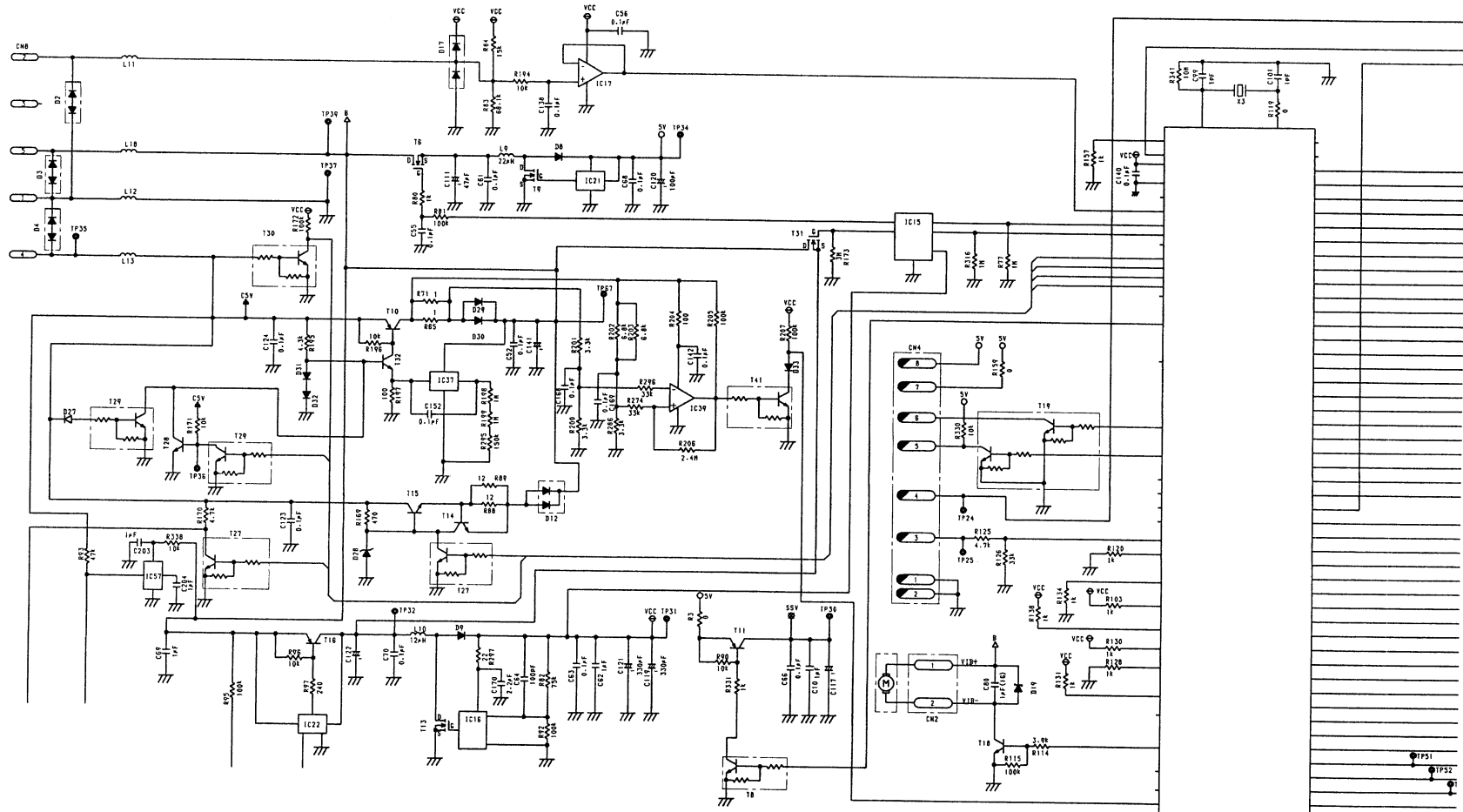


Fig. Circuit diagram 1 of Main circuit

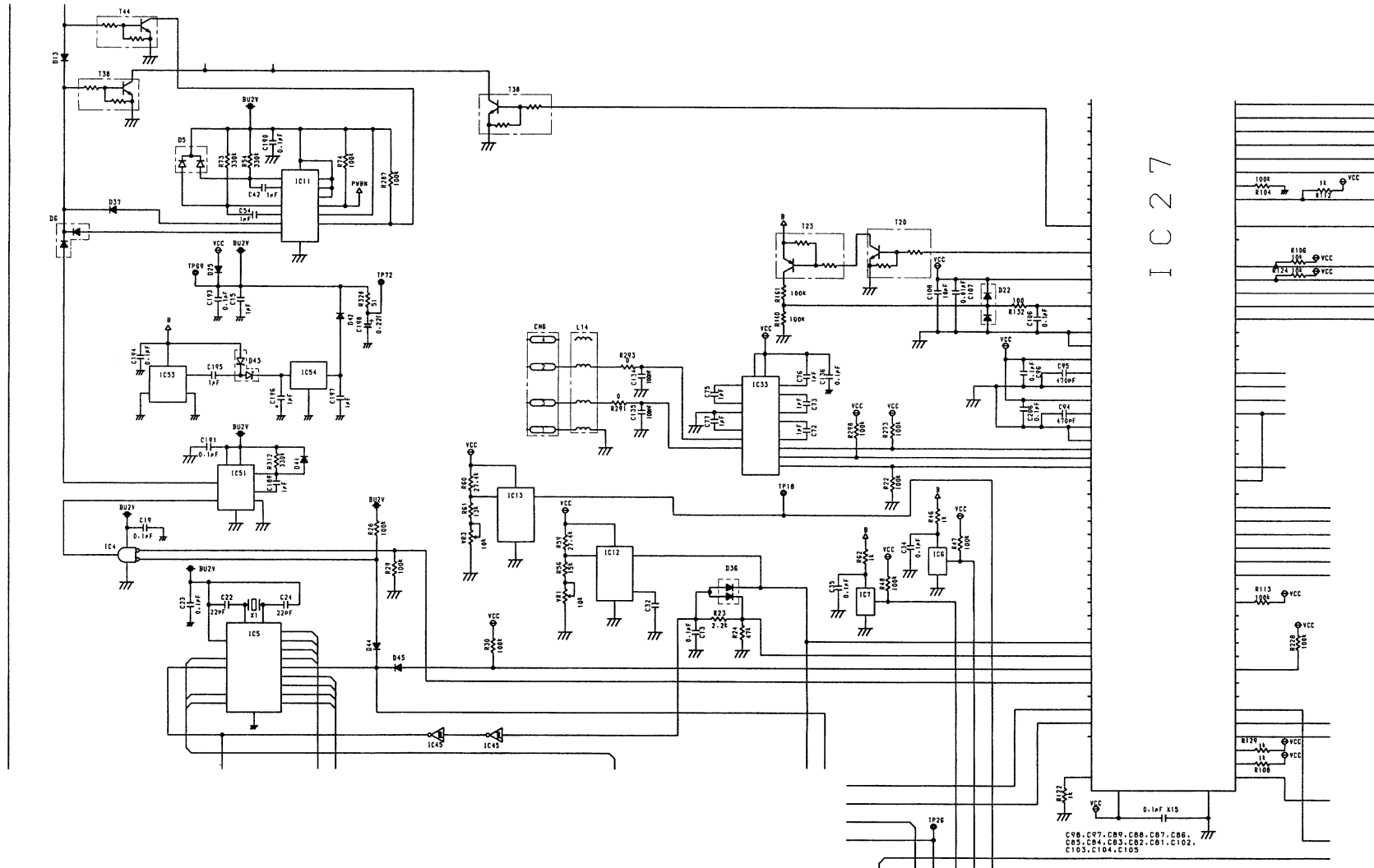


Fig. Circuit diagram 2 of Main circuit