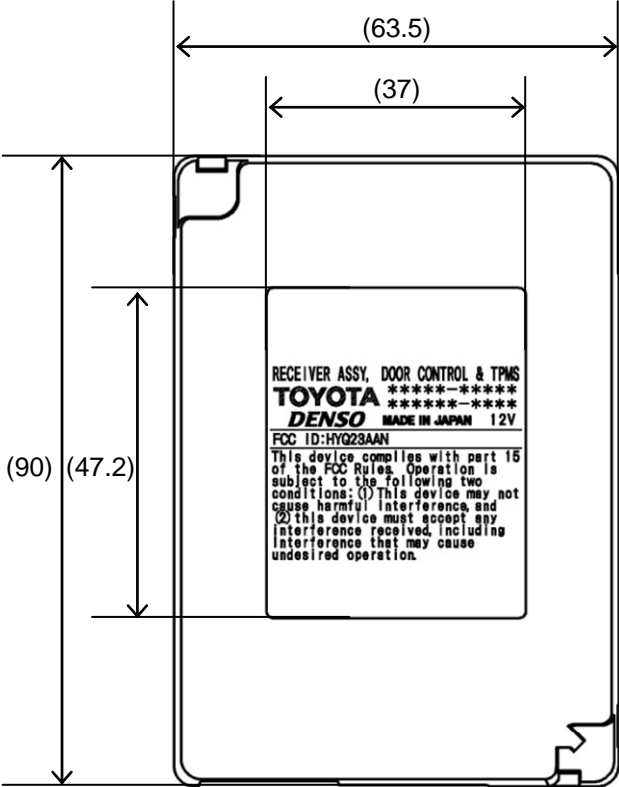


8. Marking location and layout



Unit: mm
 Scale: free

Note:
 Compliance statement of marking will not be changed.
 But marking layout, size and other indications may be changed.