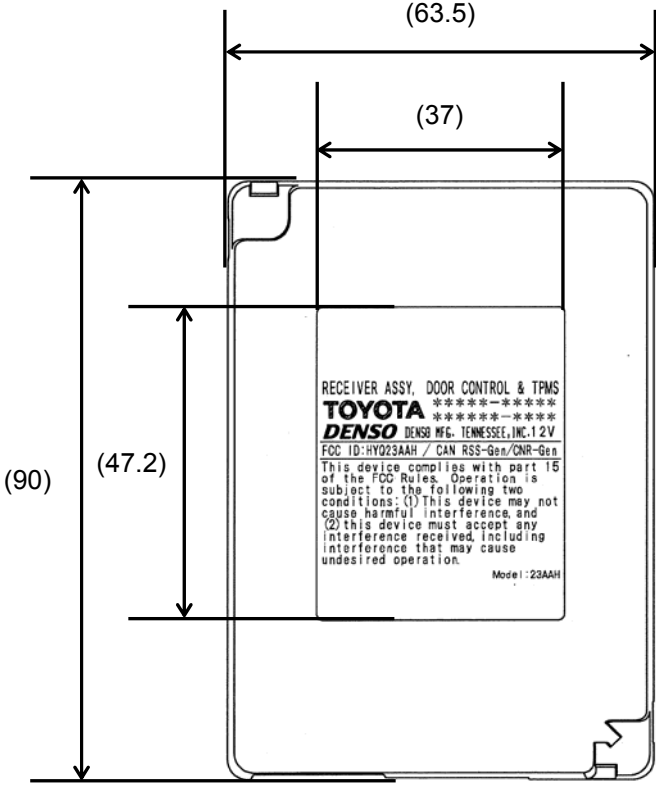


8. Marking location and layout



Unit: mm

Fig. Marking location and layout of Remote Keyless Entry System and TPMS (Receiver)

Note. Compliance statement of marking will not be changed.  
But marking layout, size and other indications maybe changed.