

8. Marking location and layout

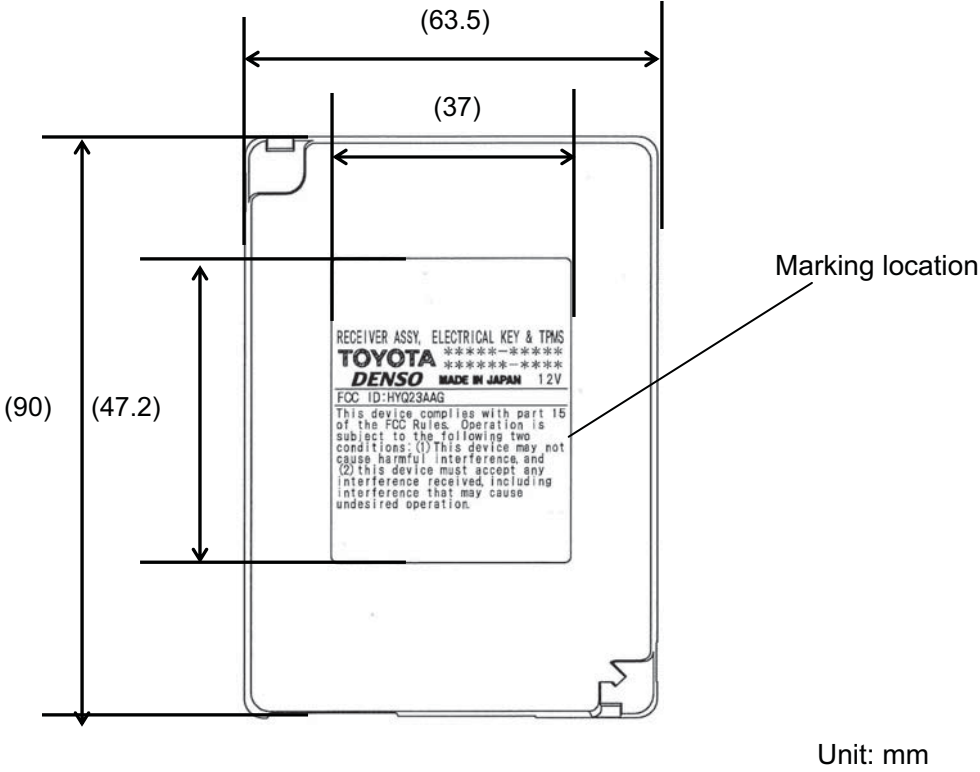


Fig. Marking location and Appearance of Receiver