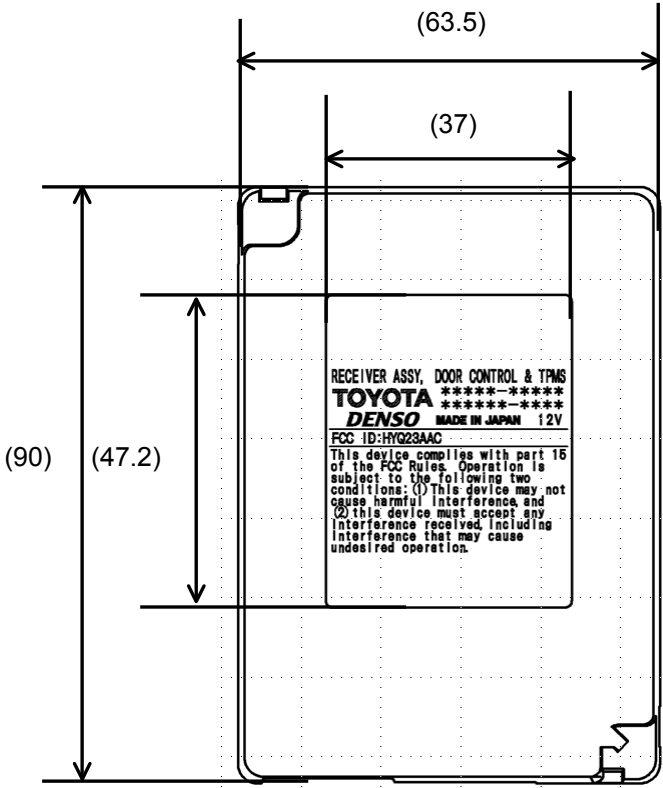


8. Marking location and layout



Unit: mm

Fig. Marking location and layout of Receiver

Note. Compliance statement of marking will not be changed.
 But marking layout, size and other indications maybe changed.