

7. Marking location and layout

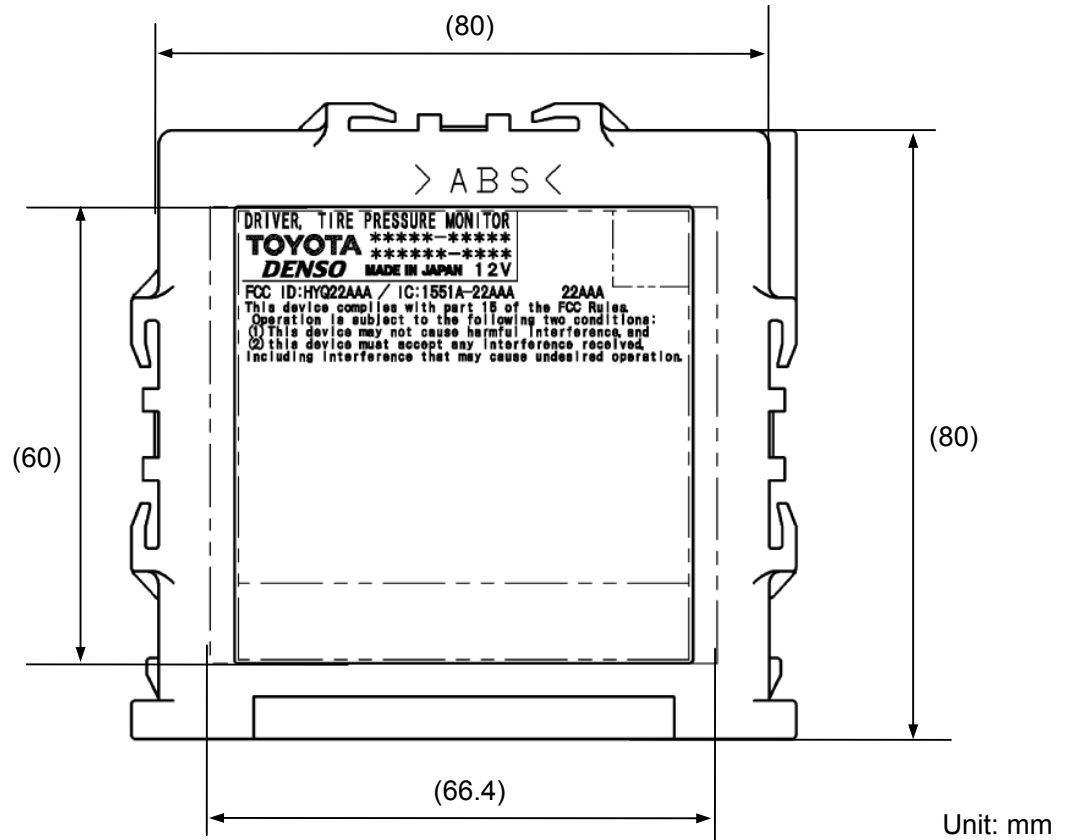


Fig. Marking location and layout of Driver

Note: Compliance statement of marking will not be changed.

But marking layout, size and other indications maybe changed.