

4. Block diagram

4.1. Transmitter

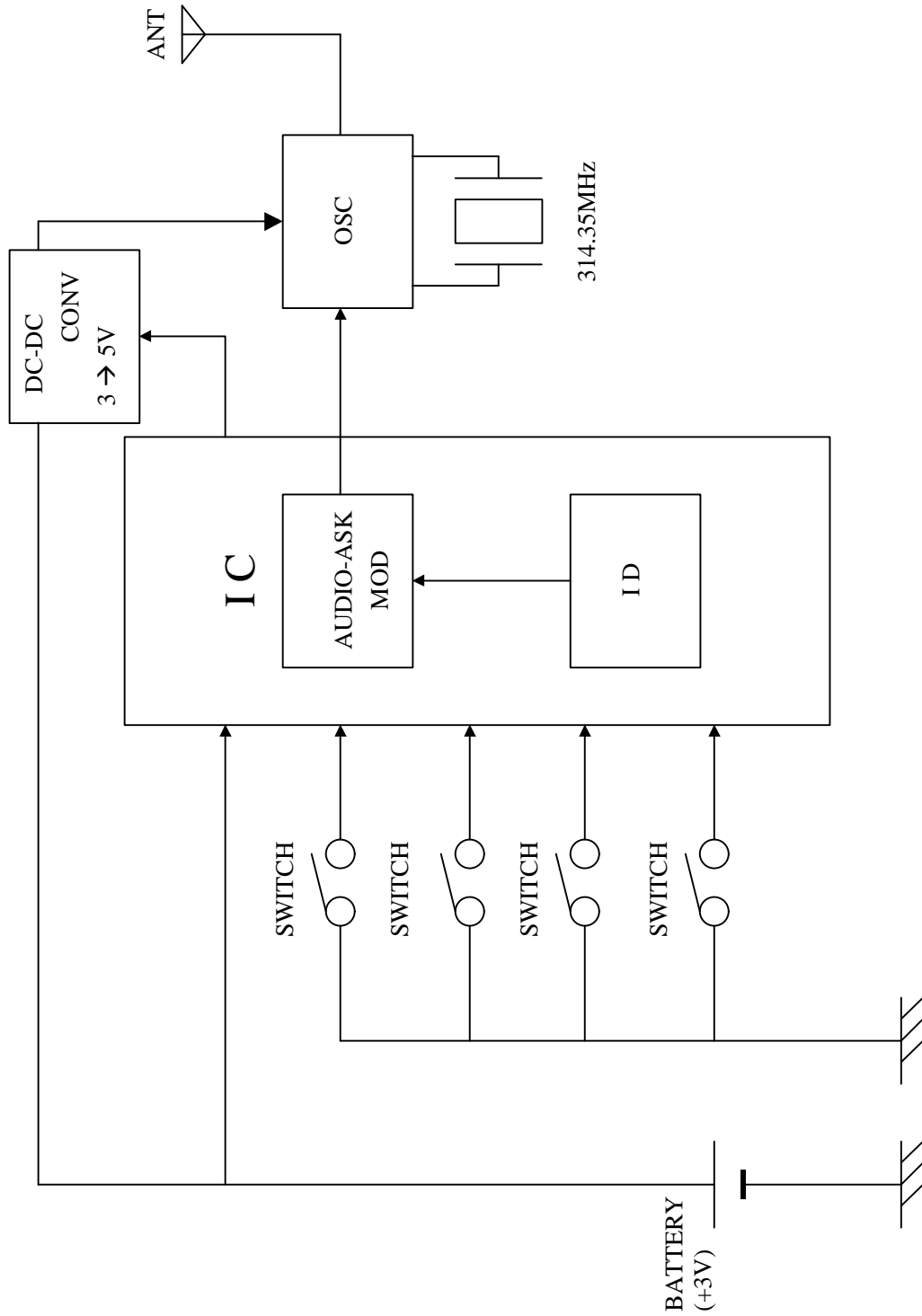


Fig. Block diagram of Transmitter

5. Circuit diagram

5.1 Transmitter

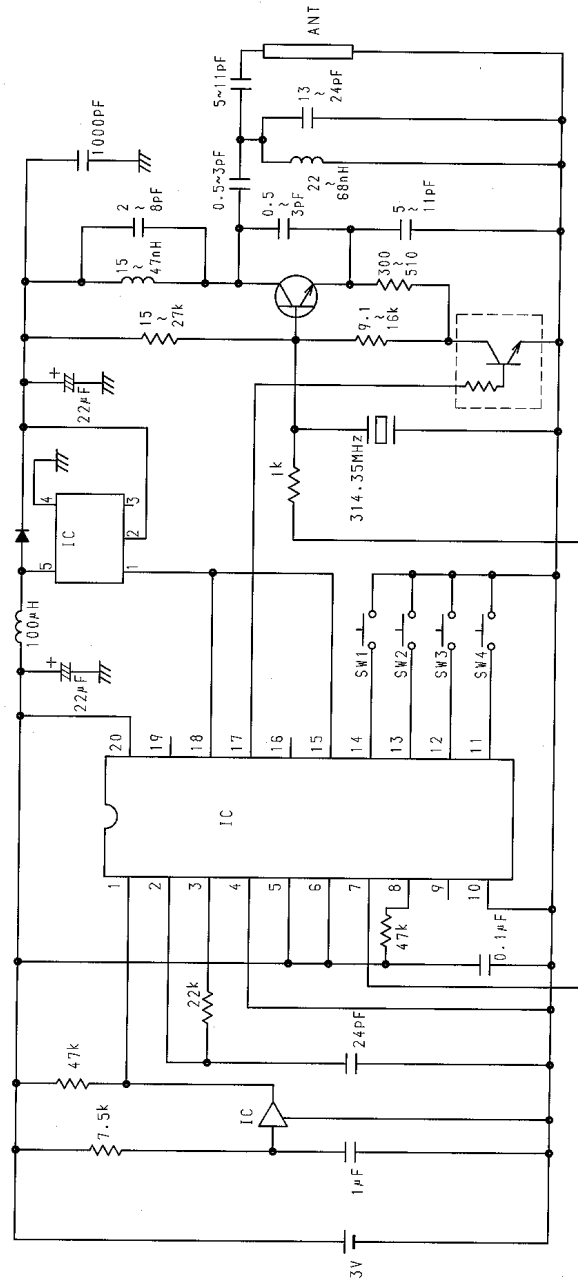


Fig. Circuit diagram of Transmitter



6. Component listing

6.1. Transmitter

Part Name	Description	Number of Units
IC	-	1
IC	-	1
IC	-	1
Resonator	314.35 MHz	1
Transistor	-	1
Transistor	-	1
Inductor	15 - 47nH	1
Inductor	22 - 68 nH	1
Inductor	100μH	1
Capacitor	0.5 - 3pF	2
Capacitor	2 - 8pF	1
Capacitor	5 - 11 pF	2
Capacitor	13 - 24pF	1
Capacitor	24 pF	1
Capacitor	1000pF	1
Capacitor	0.1μF	1
Capacitor	1μF	1
Capacitor	22μF	2
Resistor	300 - 510Ω	1
Resistor	1kΩ	1
Resistor	7.5kΩ	1
Resistor	9.1-16kΩ	1
Resistor	15 - 27kΩ	1
Resistor	22kΩ	1
Resistor	47kΩ	2
Diode	-	1
Switch	-	4
Battery	3V	1