

4. Block diagram

4.1. Receiver

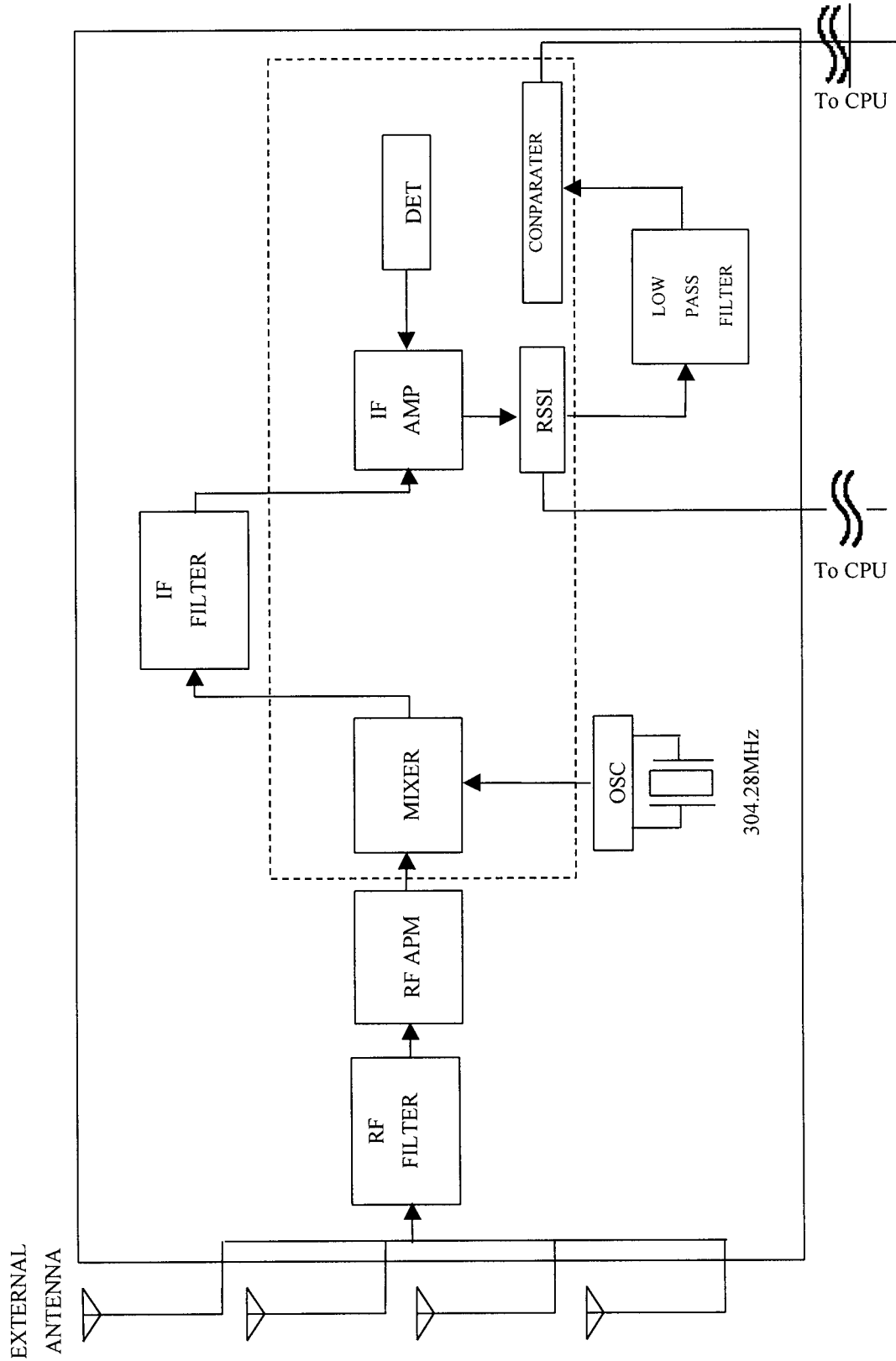


Fig.4-1 Block diagram of receiver