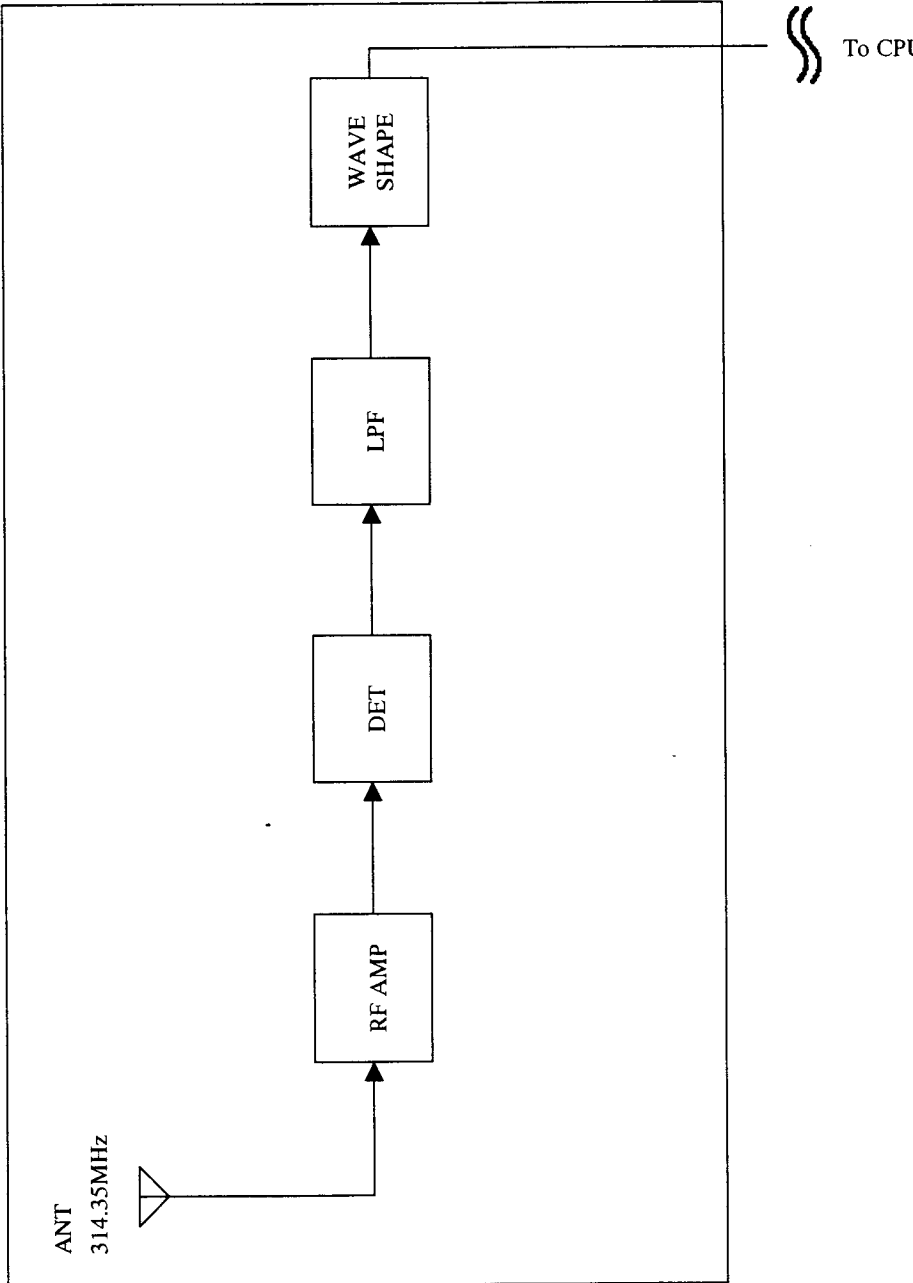


# DENSO

## 4. Block diagram

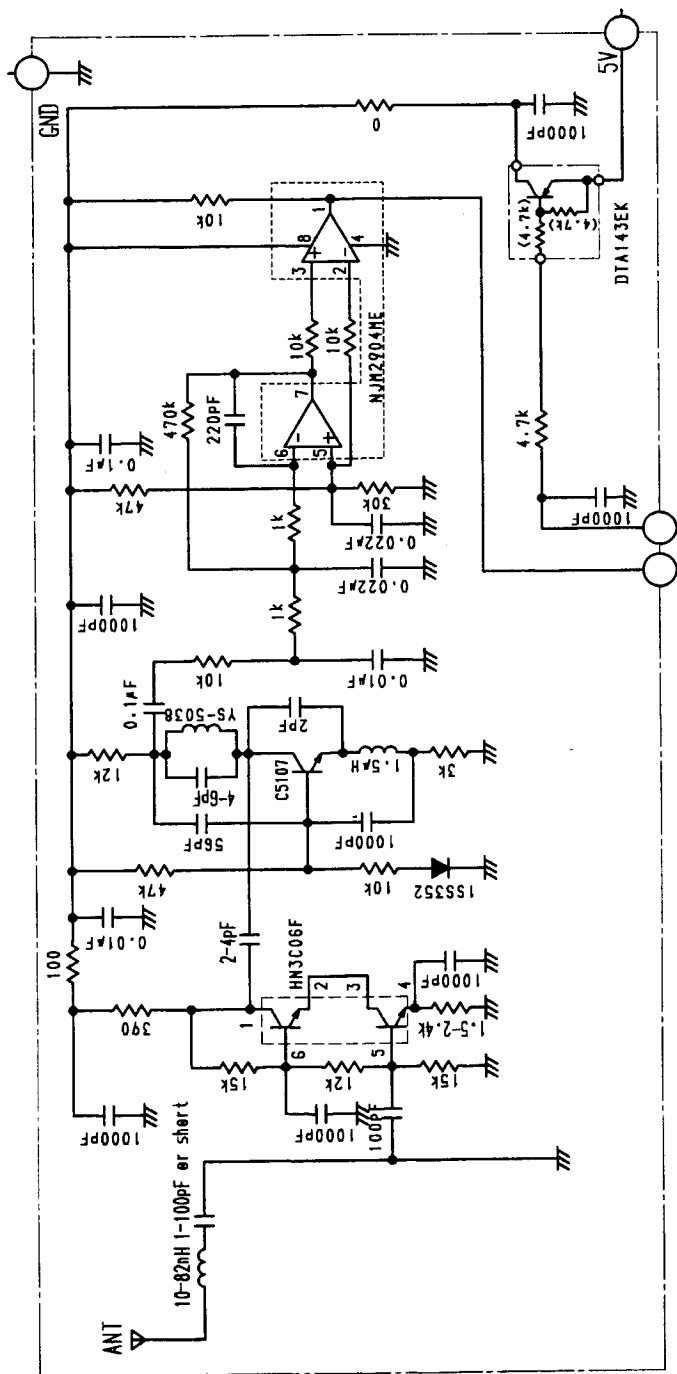
### 4.1. Receiver



# DENSO

## 5. Circuit diagram

### 5.1 Receiver



# DENSO

## 6. Component listing

### 6.1. Receiver

| Part Name  | Description         | Number of Units |
|------------|---------------------|-----------------|
| IC         | NJM2904ME           | 1               |
| Transistor | 2SC5107             | 1               |
| Transistor | HN3C06F             | 1               |
| Transistor | DTA143EK            | 1               |
| Diode      | 1SS352              | 1               |
| Coil       | YS-5038             | 1               |
| Inductor   | 10 – 82nH           | 1               |
| Inductor   | 1.5 $\mu$ H         | 1               |
| Capacitor  | 2pF                 | 1               |
| Capacitor  | 2 – 4pF             | 1               |
| Capacitor  | 4 – 6pF             | 1               |
| Capacitor  | 56pF                | 1               |
| Capacitor  | 100pF               | 1               |
| Capacitor  | 1 – 100pF or short  | 1               |
| Capacitor  | 220pF               | 1               |
| Capacitor  | 1000pF              | 7               |
| Capacitor  | 0.01 $\mu$ F        | 2               |
| Capacitor  | 0.022 $\mu$ F       | 2               |
| Capacitor  | 0.1 $\mu$ F         | 2               |
| Resistor   | 0 $\Omega$          | 1               |
| Resistor   | 100 $\Omega$        | 1               |
| Resistor   | 390 $\Omega$        | 1               |
| Resistor   | 1k $\Omega$         | 2               |
| Resistor   | 1.5 – 2.4k $\Omega$ | 1               |
| Resistor   | 3k $\Omega$         | 2               |
| Resistor   | 4.7k $\Omega$       | 1               |
| Resistor   | 10k $\Omega$        | 5               |
| Resistor   | 12k $\Omega$        | 2               |
| Resistor   | 15k $\Omega$        | 2               |
| Resistor   | 30k $\Omega$        | 1               |
| Resistor   | 47k $\Omega$        | 2               |
| Resistor   | 470k $\Omega$       | 1               |
| Antenna    | –                   | 1               |