

DENSO

DENSO CORPORATION

1-1, Showa-cho, Kariya-shi, Aichi-ken, 448-8661, Japan

Tel : +81-566-25-5922

Fax : +81-566-25-4548

Explanation of test bench

1. Connection

Refer to Connection diagram.

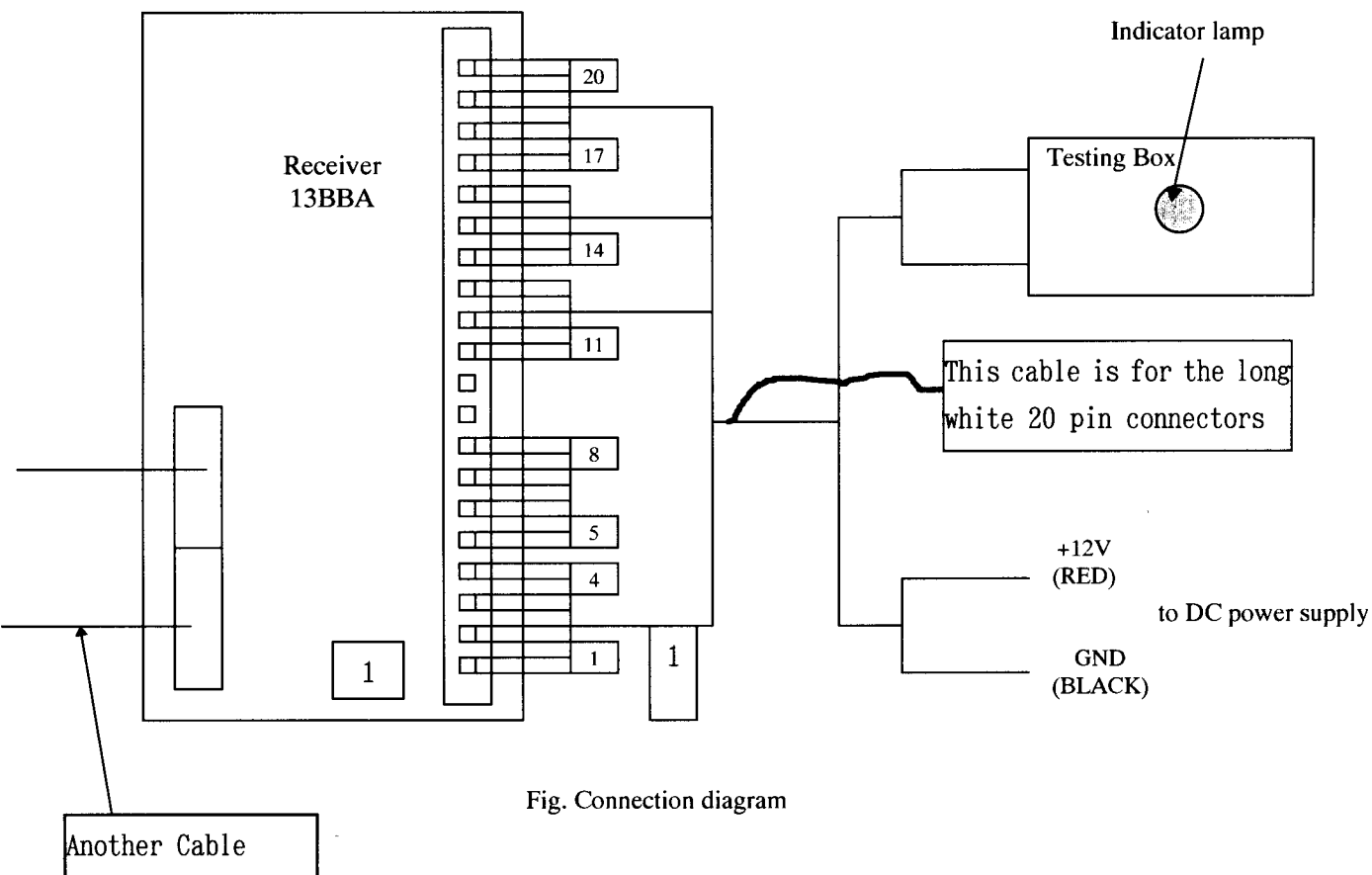


Fig. Connection diagram

2. Operation

In case LOCK button of transmitter is pushed, the Indicator lamp of test bench flashes.