

EXHIBIT 4

Block Diagram

&

Schematics

DENSO

4. Block diagram

4.1. Receiver

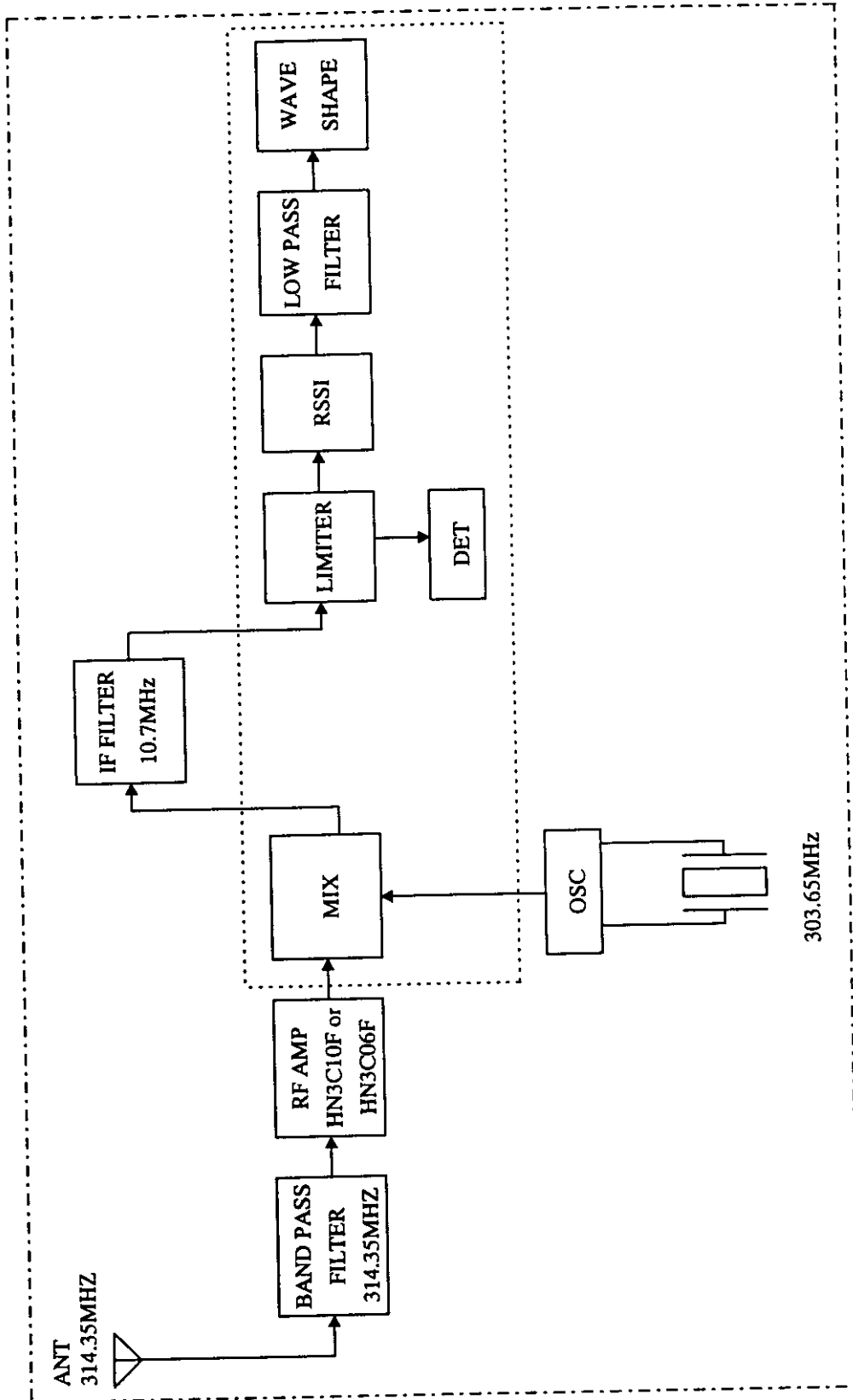


Fig. Block diagram of receiver



5. Circuit diagram

5.1 Receiver

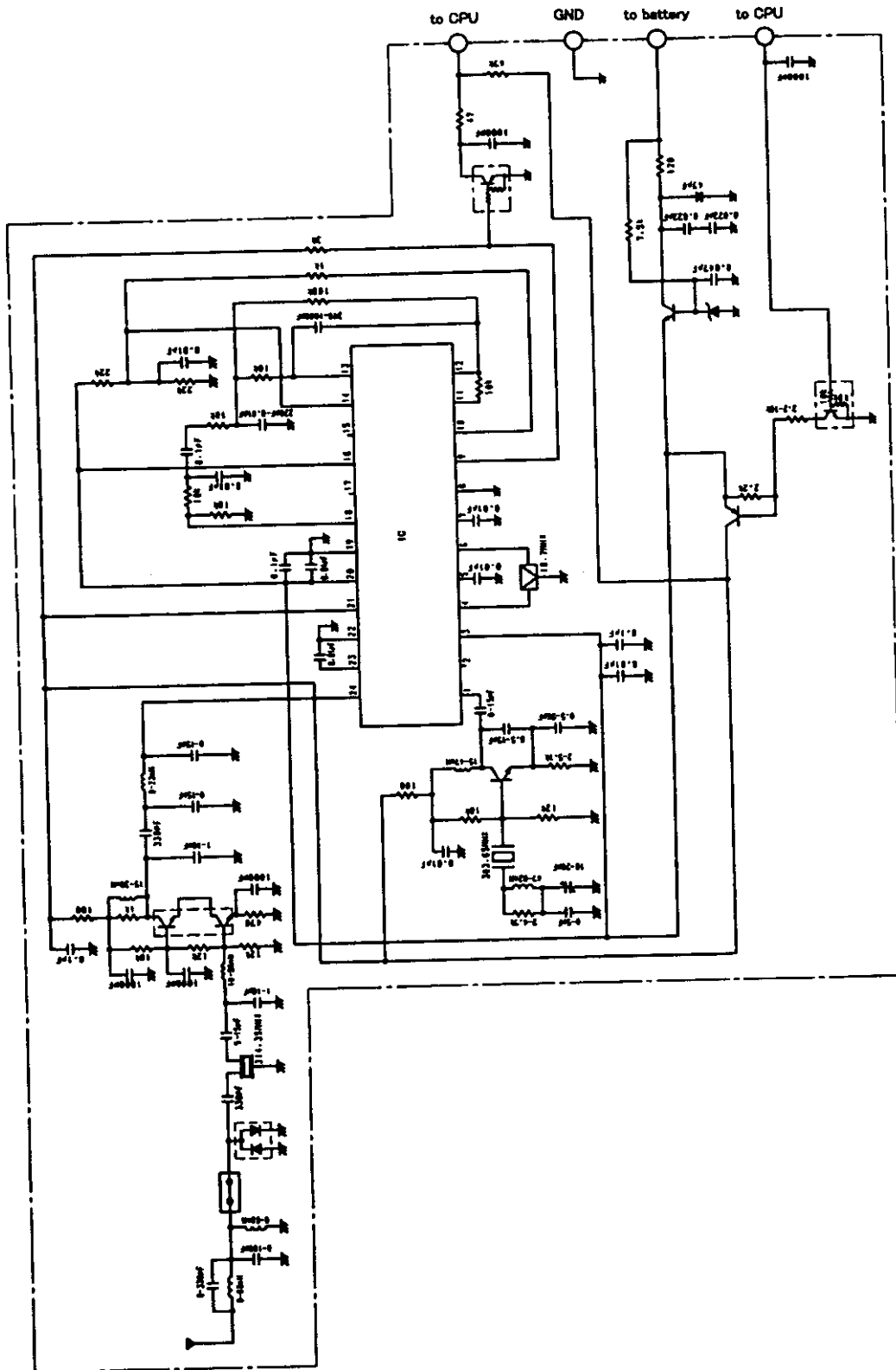


Fig. Circuit diagram of receiver

DENSO

6. Component listing

6.1. Receiver (1/2)

Part Name	Description	Number of Units
IC	-	1
Transistor	-	6
Diode	-	2
Inductor	0 - 22nH	1
Inductor	0 - 68nH	2
Inductor	10 - 56nH	1
Inductor	15 - 39nH	1
Inductor	15 - 47nH	1
Inductor	47 - 82nH	1
Capacitor	0 - 5pF	1
Capacitor	0 - 15pF	3
Capacitor	0 - 100F	1
Capacitor	0 - 330pF	1
Capacitor	0.5 - 15pF	1
Capacitor	0.5 - 56pF	1
Capacitor	1 - 10pF	2
Capacitor	5 - 15pF	1
Capacitor	220pF - 0.01 μ F	1
Capacitor	330pF	2
Capacitor	390 - 1000pF	1
Capacitor	1000pF	5
Capacitor	0.022 μ F	2
Capacitor	0.047 μ F	1
Capacitor	0.01 μ F	9
Capacitor	0.1 μ F	3
Capacitor	47 μ F	1
Variable Capacitor	10 - 20pF	1