

## 4. Block diagram

### 4.1. Receiver

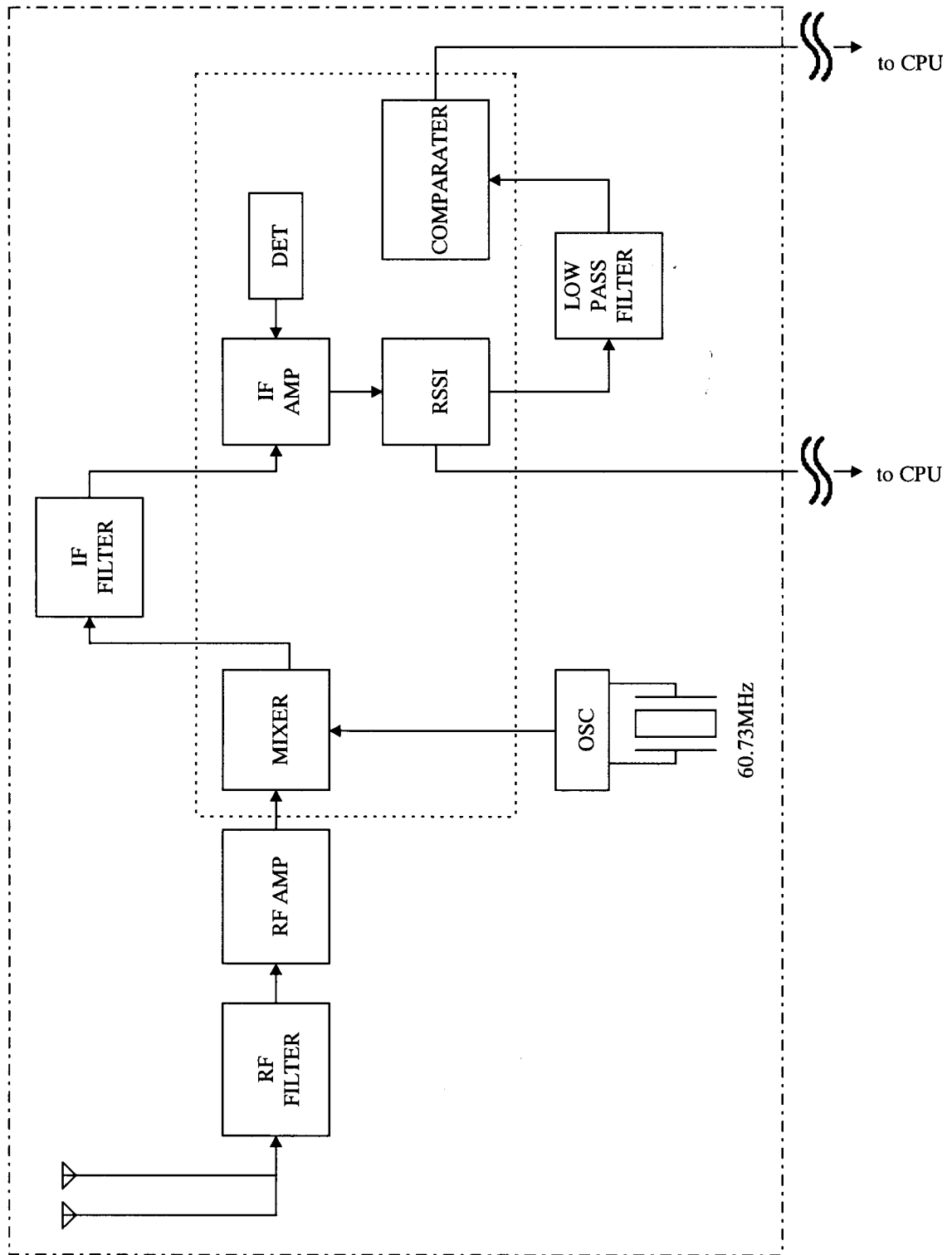


Fig. Block diagram of receiver



# DENSO

## 6. Component listing

### 6.1. Receiver (1/2)

Part Name	Description	Number of Units
IC	-	1
Transistor	-	2
Diode	-	1
Inductor	0 - 22nH	1
Inductor	0 - 68nH	1
Inductor	10 - 47nH	1
Inductor	10 - 56nH	1
Inductor	15 - 39nH	1
Inductor	0.22 - 0.56nH	2
Capacitor	0 - 47pF	1
Capacitor	0 - 330pF	1
Capacitor	0.5 - 330pF	1
Capacitor	1 - 10pF	2
Capacitor	1 - 47pF	1
Capacitor	5 - 15pF	1
Capacitor	5 - 47pF	1
Capacitor	10 - 47pF	1
Capacitor	220p - 0.01 $\mu$ F	1
Capacitor	330pF	2
Capacitor	390 - 1000pF	1
Capacitor	1000pF	3
Capacitor	1000p - 0.1 $\mu$ F	1
Capacitor	0.022 $\mu$ F	1
Capacitor	0.01 $\mu$ F	7
Capacitor	0.22 $\mu$ F	1
Capacitor	0.1 $\mu$ F	4

## 6.1. Receiver (2/2)

Part Name	Description	Number of Units
Resistor	1 - 10k $\Omega$	1
Resistor	100 $\Omega$	2
Resistor	470 $\Omega$	1
Resistor	1k $\Omega$	1
Resistor	1 - 3k $\Omega$	1
Resistor	5 - 10k $\Omega$	1
Resistor	10k $\Omega$	5
Resistor	10 - 25k $\Omega$	1
Resistor	12k $\Omega$	2
Resistor	16k $\Omega$	1
Resistor	18k $\Omega$	1
Resistor	22k $\Omega$	2
Resistor	47k $\Omega$	1
Resistor	100k $\Omega$	1
Filter	314.35MHz	1
Filter	10.7MHz	1
Crystal	60.73MHz	1
Antenna	-	2
Jumper	-	1