

5. Circuit diagram

5.1 Receiver

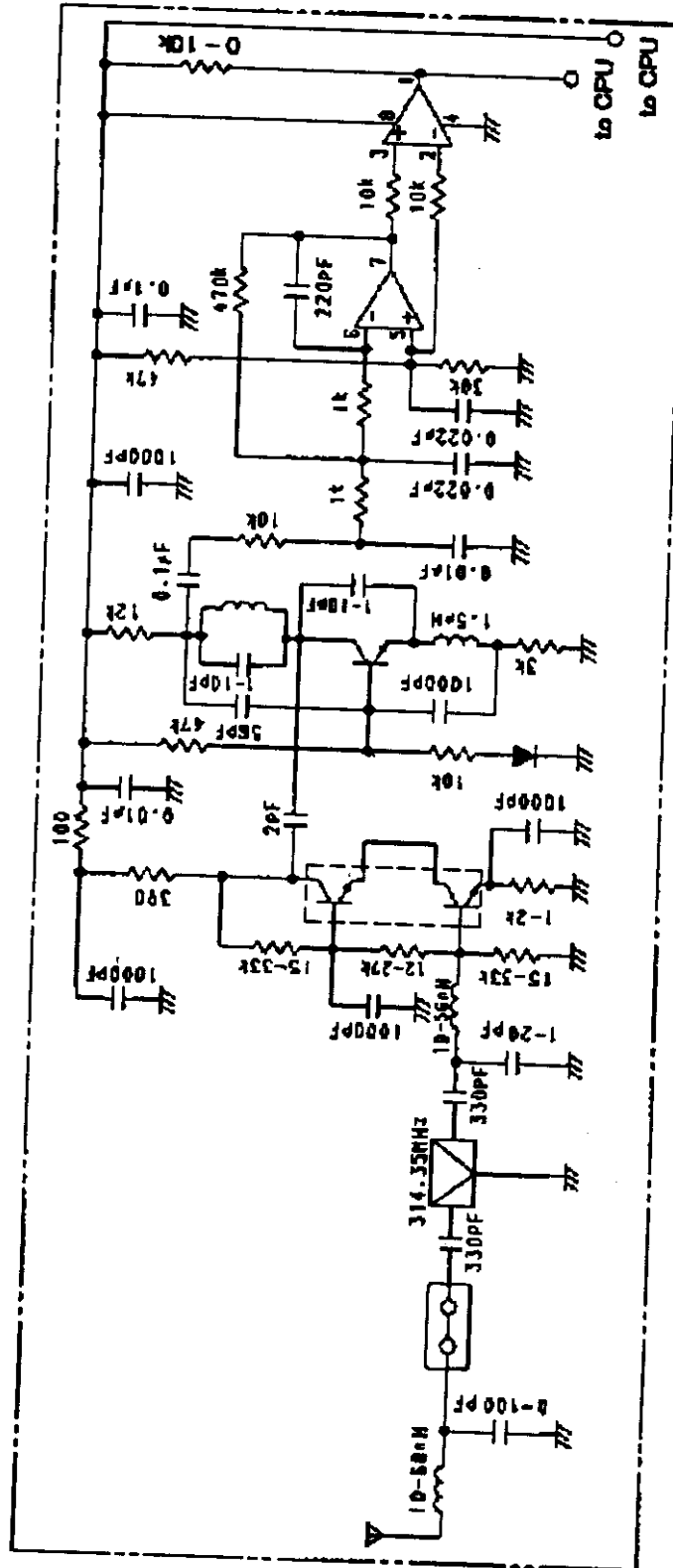


Fig. Circuit diagram of receiver