

5. Block diagram

5.1 Receiver

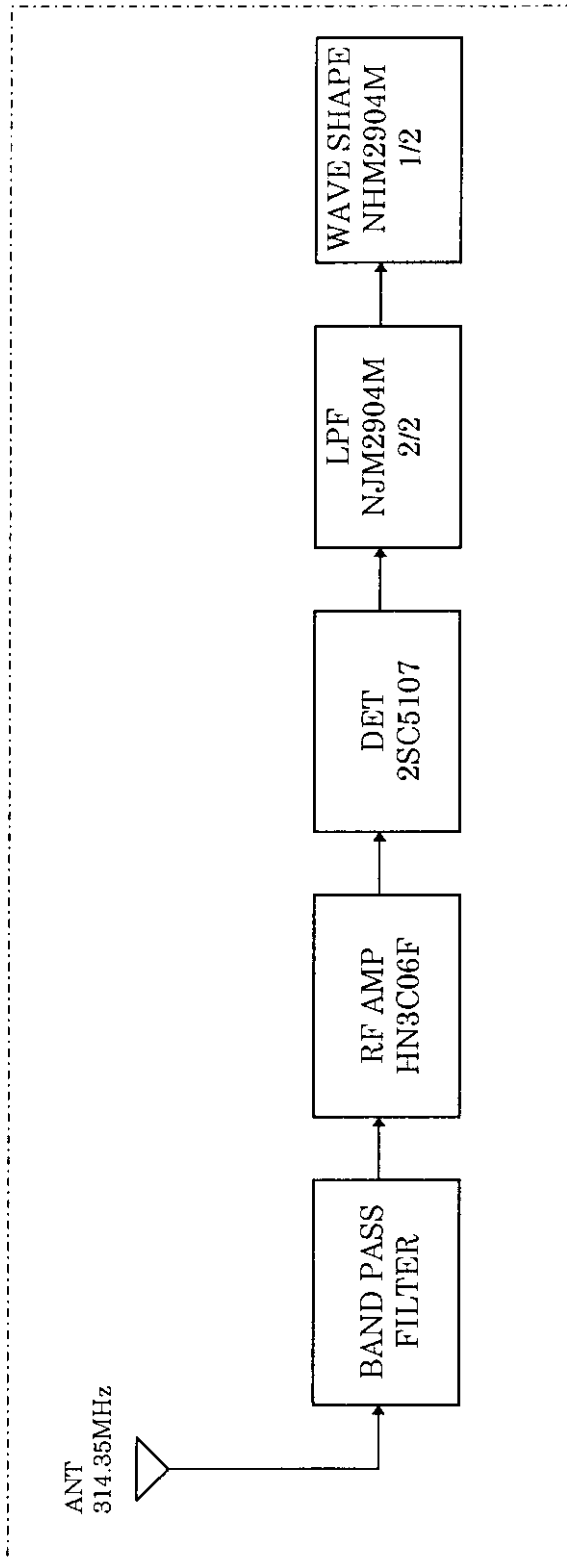


Fig. 3 Block diagram of receiver

6 Circuit diagram

6.1 Receiver

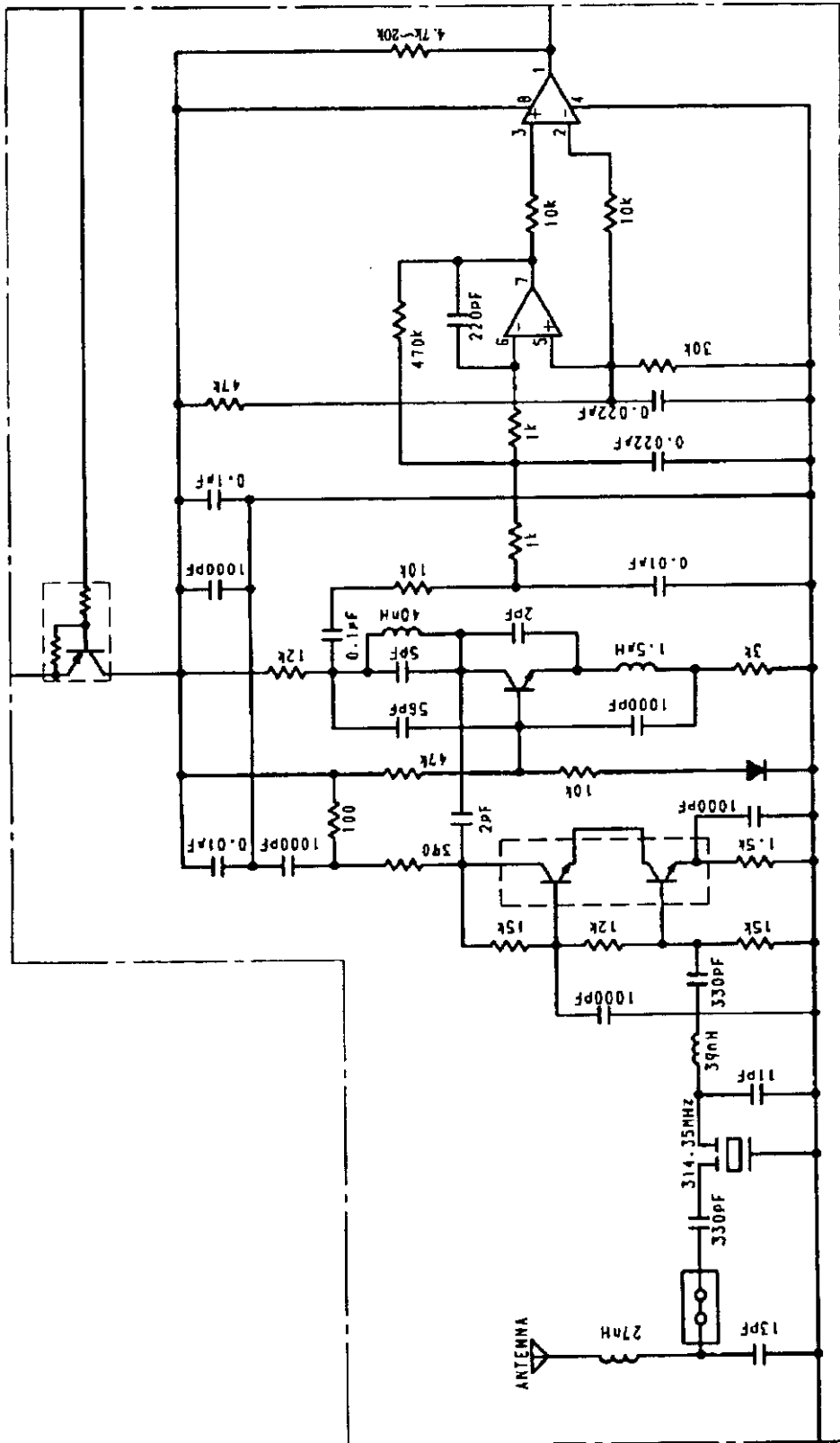


Fig. 4 Circuit diagram of receiver

7. Component listing

7.1 Receiver

Equipment	Part Name	Description	No. of Units
Receiver	IC	—	1
	Transistor	—	3
	Diode	—	1
	Filter	314.35MHz	1
	Coil	40 nH	1
	Inductor	39 nH	1
	Inductor	27 nH	1
	Inductor	1.5 μ H	1
	Capacitor	2 pF	2
	Capacitor	5 pF	1
	Capacitor	11 pF	1
	Capacitor	13 pF	1
	Capacitor	56 pF	1
	Capacitor	220 pF	1
	Capacitor	330 pF	2
	Capacitor	1000 pF	5
	Capacitor	0.01 μ F	2
	Capacitor	0.022 μ F	2
	Capacitor	0.1 μ F	2
	Resistor	10k Ω	4
	Resistor	100 Ω	1
	Resistor	390 Ω	1
	Resistor	1k Ω	2
	Resistor	1.5k Ω	1
	Resistor	3k Ω	1
	Resistor	4.7k~20k Ω	1
	Resistor	12k Ω	2
	Resistor	15k Ω	2
	Resistor	30k Ω	1
	Resistor	47k Ω	2
	Resistor	470k Ω	1
	Antenna	—	1
	Jumper	—	1