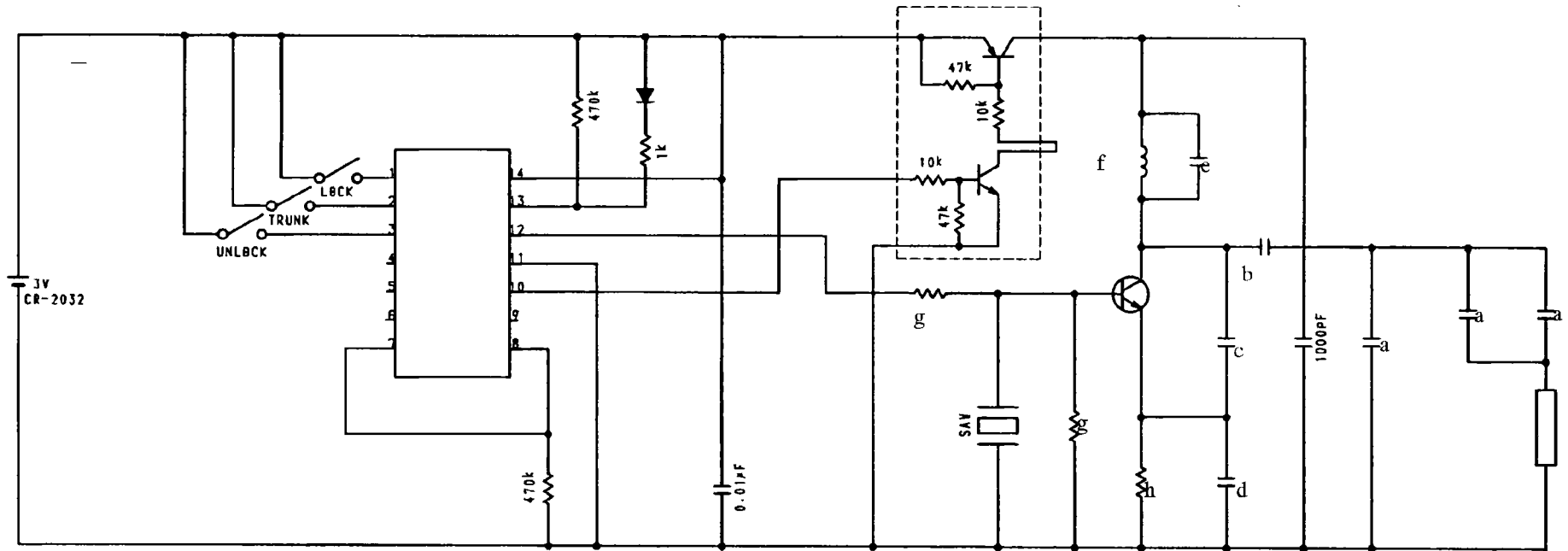


5. Circuit diagram

5.1 Transmitter



Note: For the parts a, b, c, d, e, f, g and h see the components

Fig. Circuit diagram of Transmitter