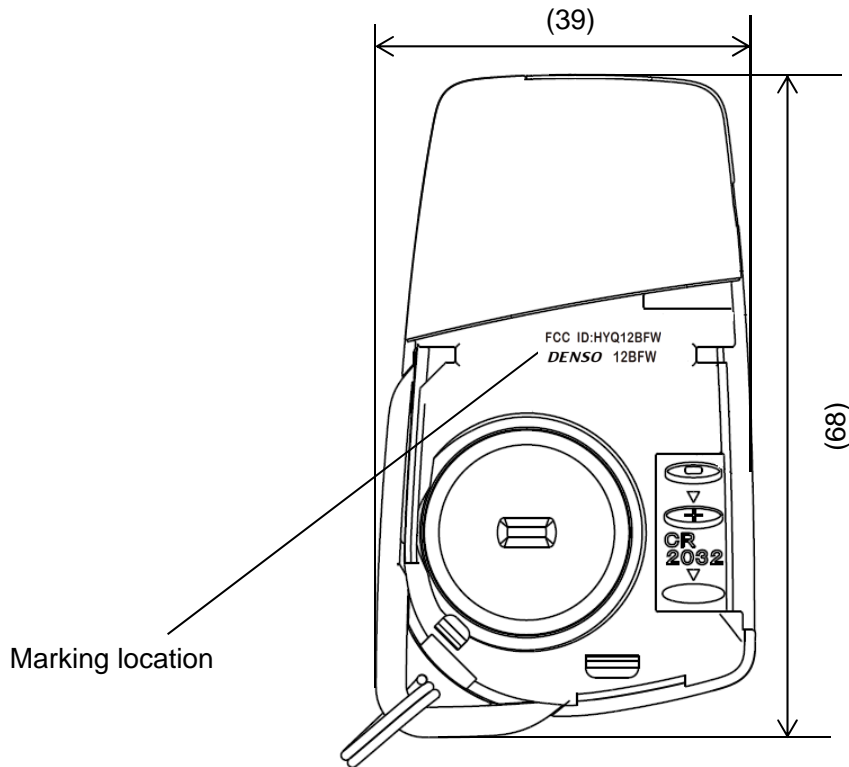


**Product:** Remote Keyless Entry System (Transmitter)

**Model:** 12BFW

**Marking location:**



Unit: mm  
Scale: free

**Note:**

Marking layout, size and other indications may be changed. The marking is accessible without any special tools. The device is too small to place the label requirements. FCC compliance statement will be included in the user manual, as it is not practical to place on the device according to FCC Rules § 15.19.