

10. Marking location and layout

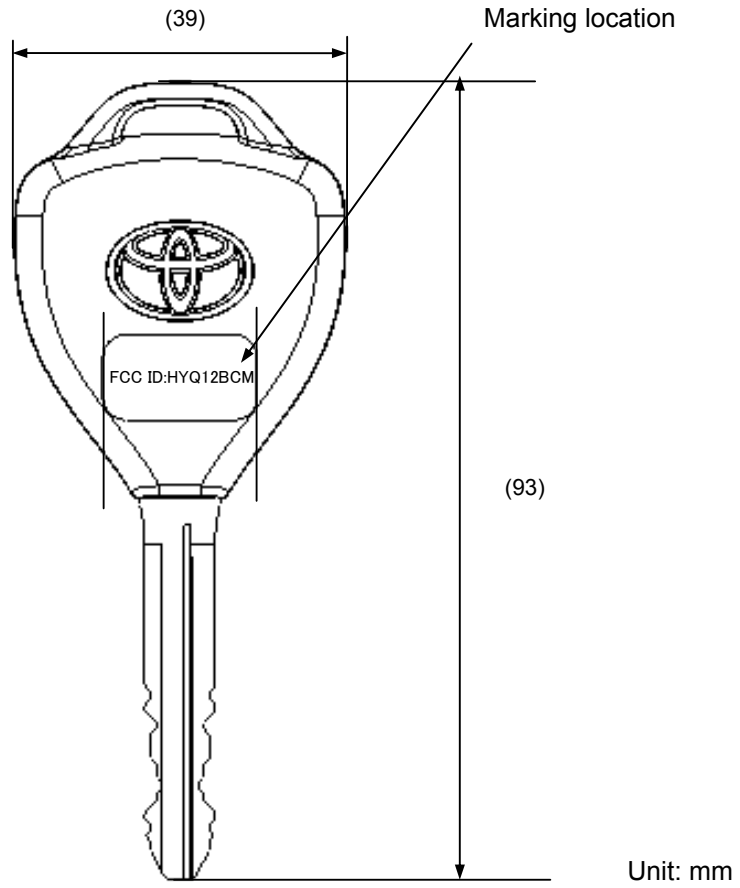


Fig. Marking location and layout of Transmitter

Note: Compliance statement of marking will not be changed.
But marking layout, size and other indications maybe changed.