

## 7. Marking location and layout

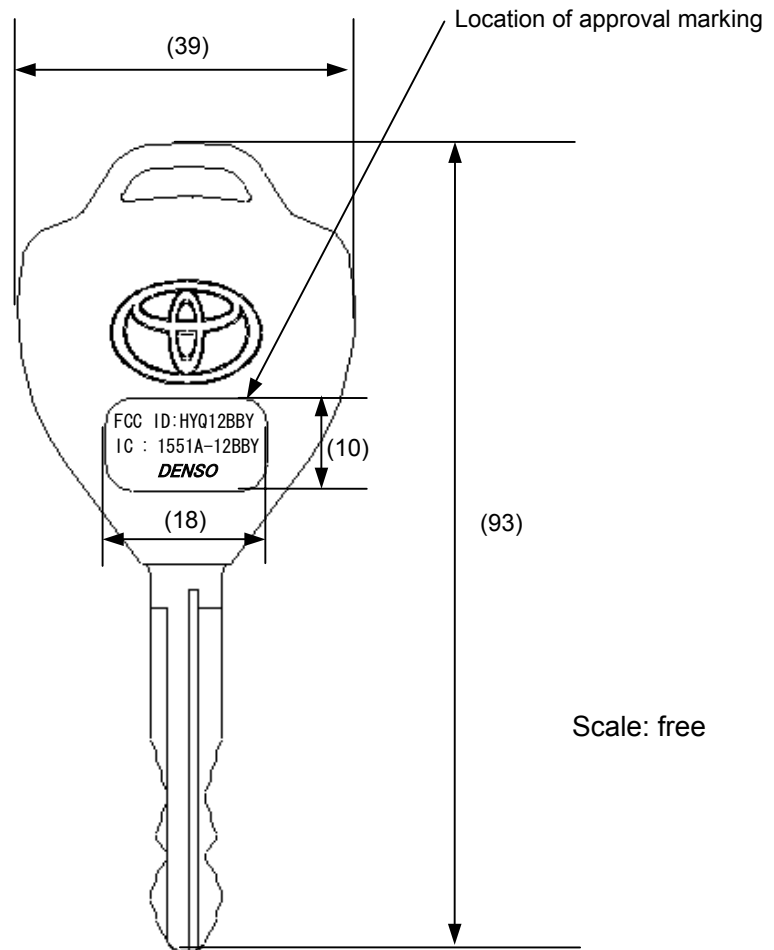


Fig. Marking location and layout

Note : Compliance statement of marking will not be changed.  
But marking layout, size and other indications maybe changed.