

# DENSO

## 4. Block diagram

### 4.1. Transmitter

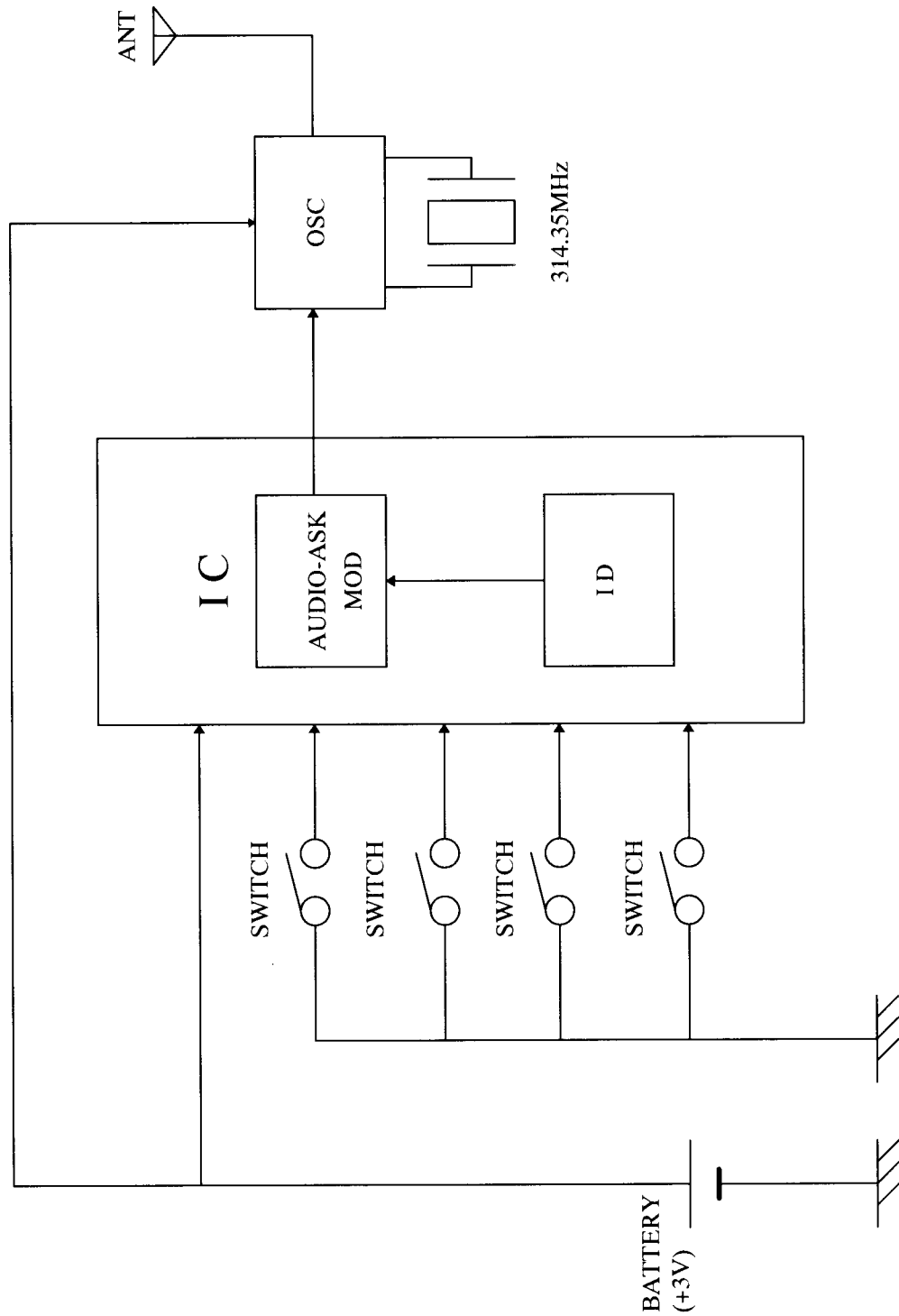


Fig. Block diagram of Transmitter

# DENSO

## 5. Circuit diagram

### 5.1 Transmitter

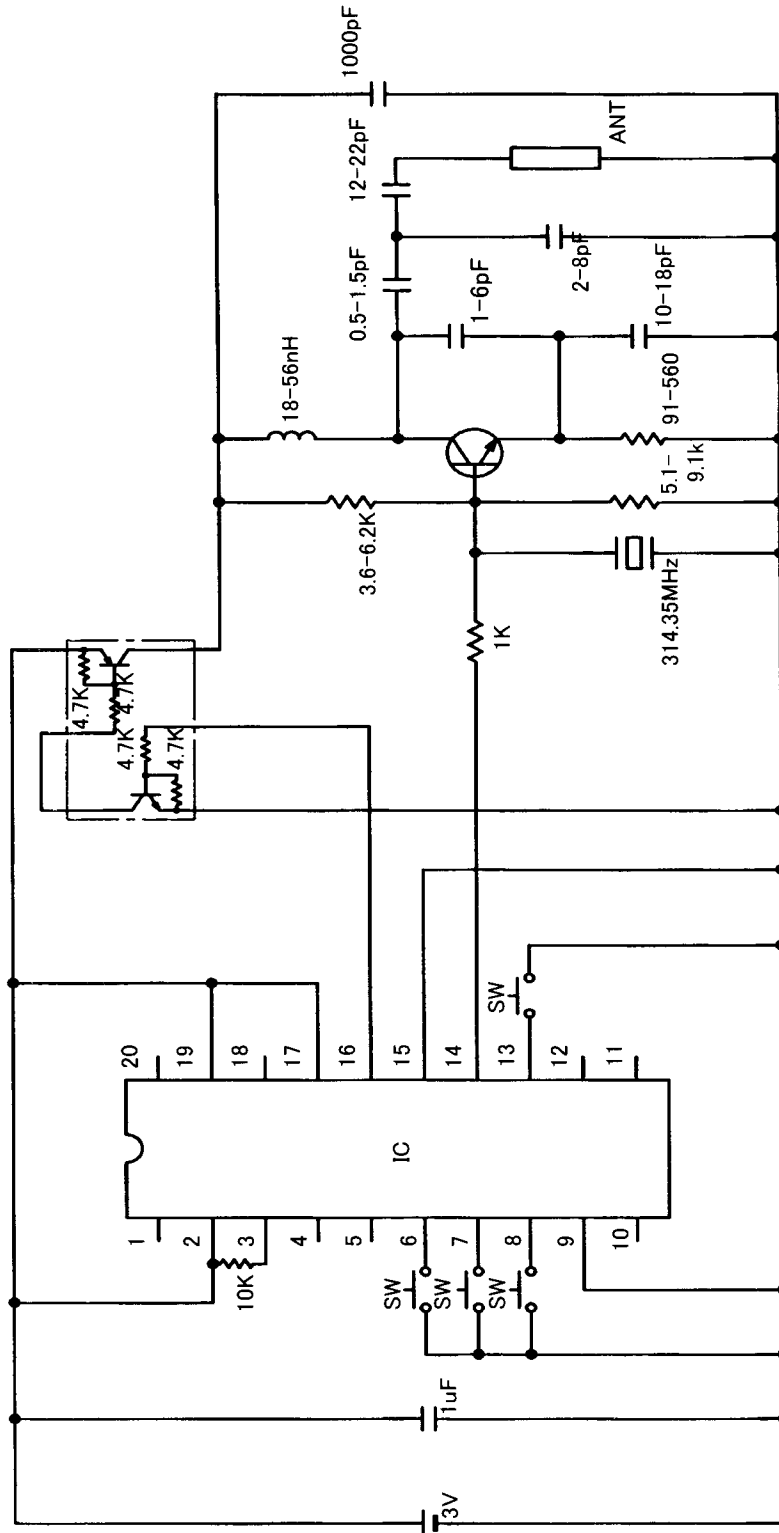


Fig. Circuit diagram of Transmitter

# DENSO

## 6. Component listing

### 6.1. Transmitter

Part Name	Description	Number of Units
IC	-	1
Resonator	314.35 MHz	1
Transistor	-	1
Transistor	-	1
Inductor	18 - 56nH	1
Capacitor	0.5 - 1.5pF	1
Capacitor	1 - 6pF	1
Capacitor	2 - 8pF	1
Capacitor	10 - 18pF	1
Capacitor	12 - 22pF	1
Capacitor	1000pF	1
Capacitor	1μF	1
Resistor	91 - 560Ω	1
Resistor	1kΩ	1
Resistor	3.6 - 6.2kΩ	1
Resistor	5.1 - 9.1kΩ	1
Resistor	10kΩ	1
Switch	-	4
Battery	3V	1