

## 5. Circuit diagram

### 5.1. Transmitter

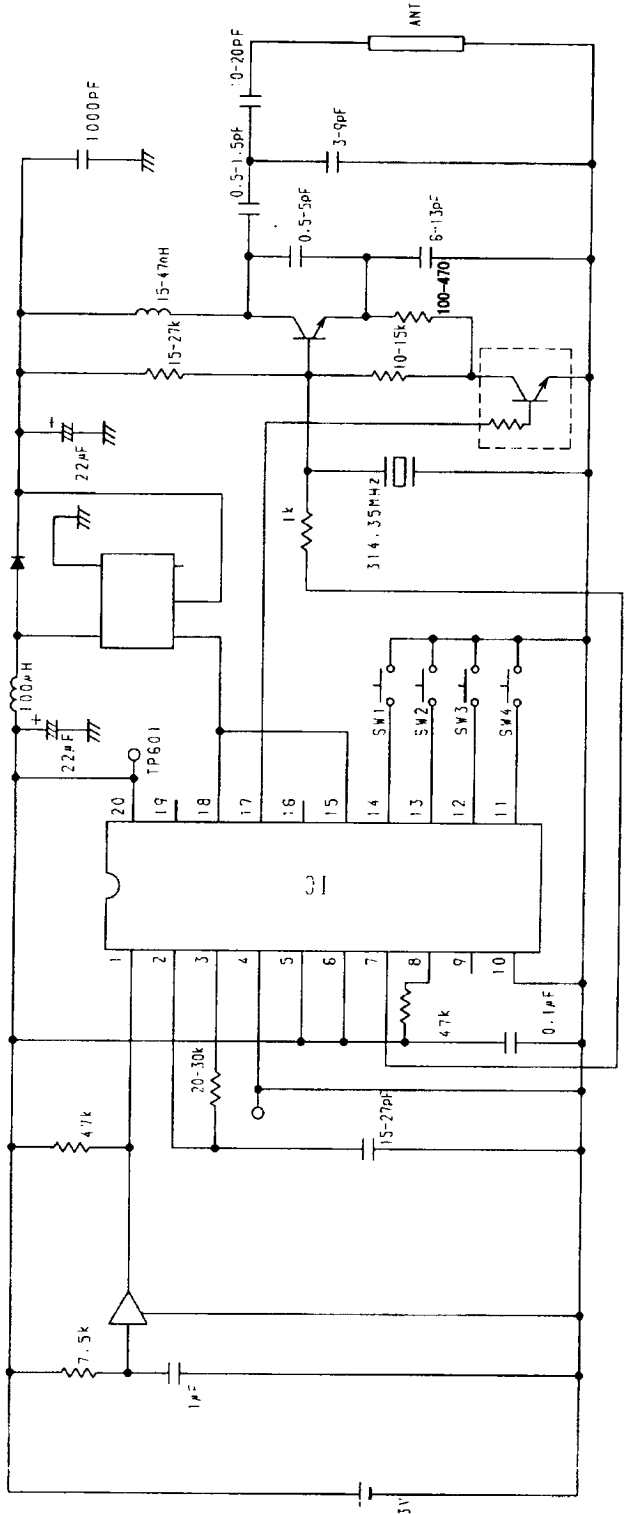


Fig. Circuit diagram of Transmitter

## 4. Block diagram

### 4.1. Transmitter

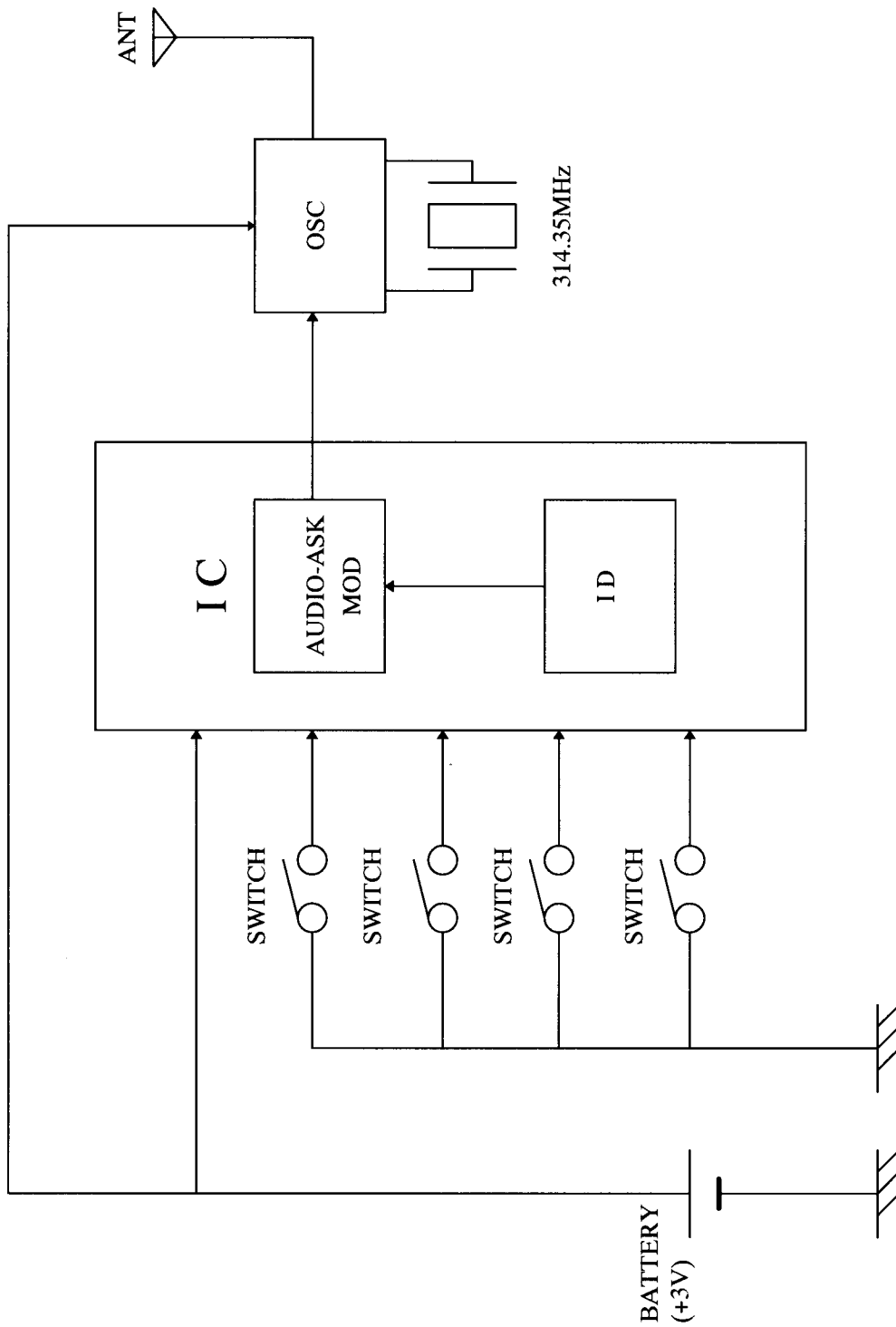


Fig. Block diagram of Transmitter

# DENSO

## 6. Component listing

### 6.1. Transmitter

| Part Name  | Description        | Number of Units |
|------------|--------------------|-----------------|
| IC         | -                  | 1               |
| IC         | -                  | 1               |
| IC         | -                  | 1               |
| Diode      | -                  | 1               |
| Resonator  | 314.35 MHz         | 1               |
| Transistor | -                  | 1               |
| Transistor | -                  | 1               |
| Inductor   | 15 - 47nH          | 1               |
| Inductor   | 100 $\mu$ H        | 1               |
| Capacitor  | 0.5 - 1.5pF        | 1               |
| Capacitor  | 0.5 - 5pF          | 1               |
| Capacitor  | 3 - 9pF            | 1               |
| Capacitor  | 6 - 13pF           | 1               |
| Capacitor  | 10 - 20pF          | 1               |
| Capacitor  | 15 - 27pF          | 1               |
| Capacitor  | 1000pF             | 1               |
| Capacitor  | 0.1 $\mu$ F        | 1               |
| Capacitor  | 22 $\mu$ F         | 2               |
| Capacitor  | 1 $\mu$ F          | 1               |
| Resistor   | 100 - 470 $\Omega$ | 1               |
| Resistor   | 1k $\Omega$        | 1               |
| Resistor   | 10 - 15k $\Omega$  | 1               |
| Resistor   | 15 - 27k $\Omega$  | 1               |
| Resistor   | 7.5k $\Omega$      | 1               |
| Resistor   | 20 - 30k $\Omega$  | 1               |
| Resistor   | 47k $\Omega$       | 2               |
| Switch     | -                  | 4               |
| Battery    | 3V                 | 1               |