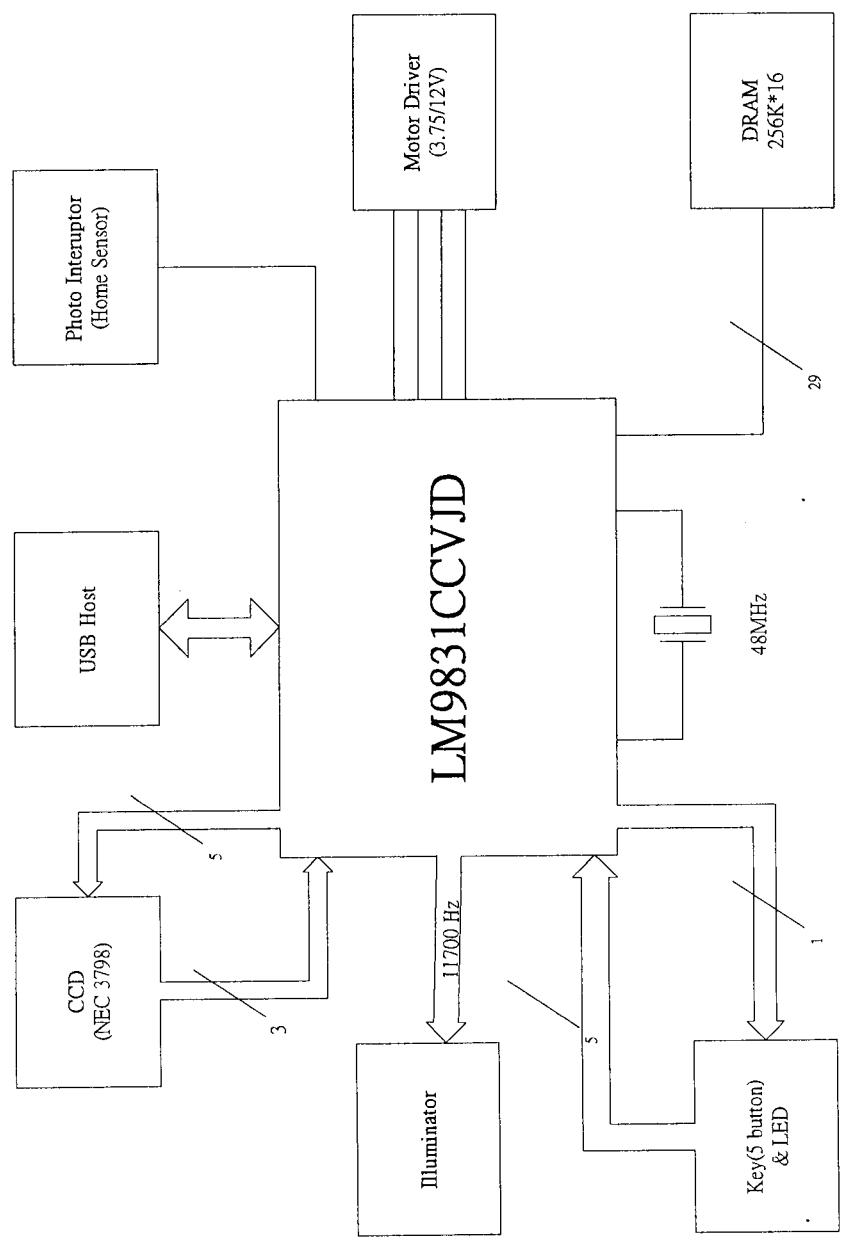




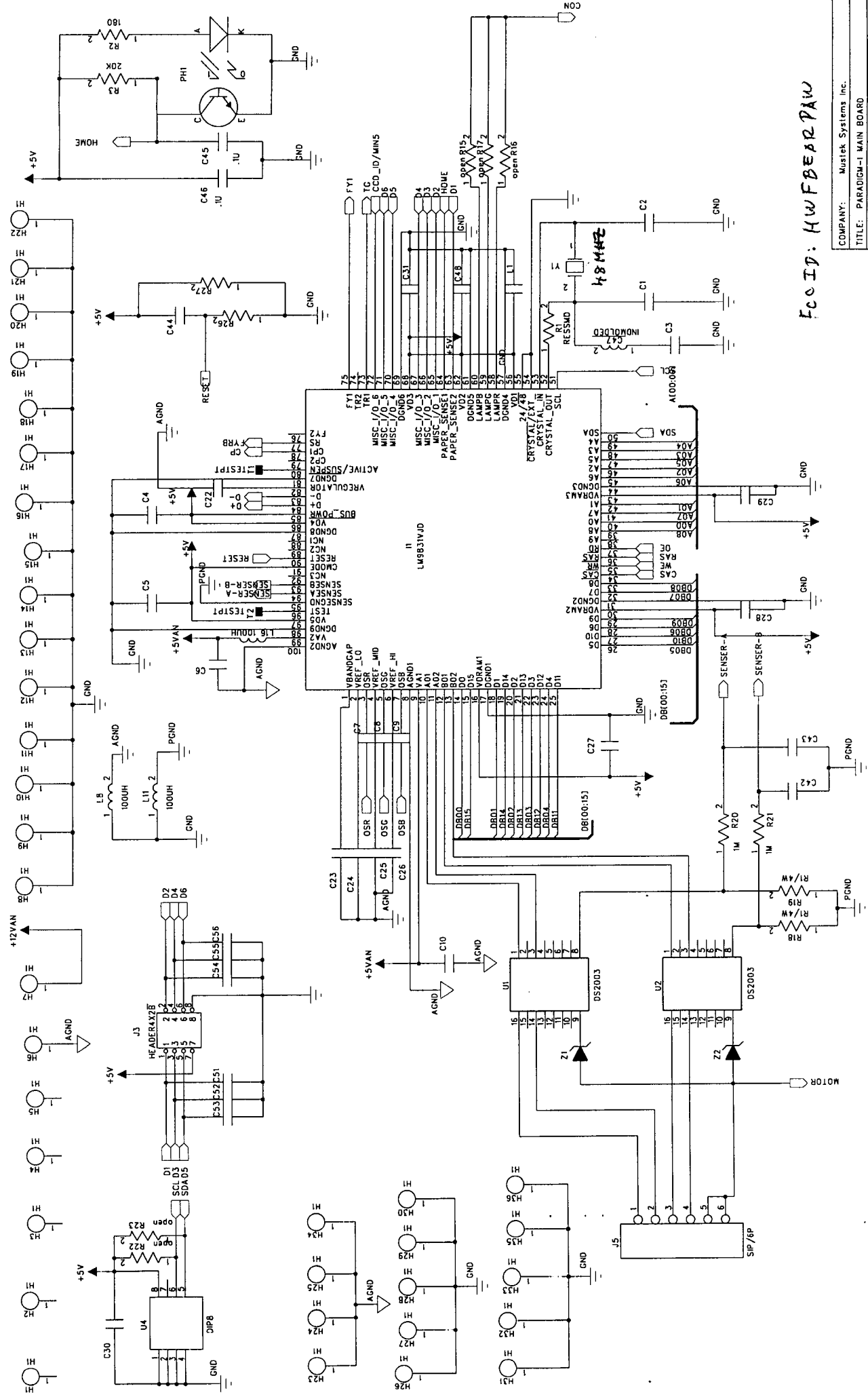
PARADIGM-1 System Block Diagram

FCO ID: HWFBEARPAW



BearPaw 1200

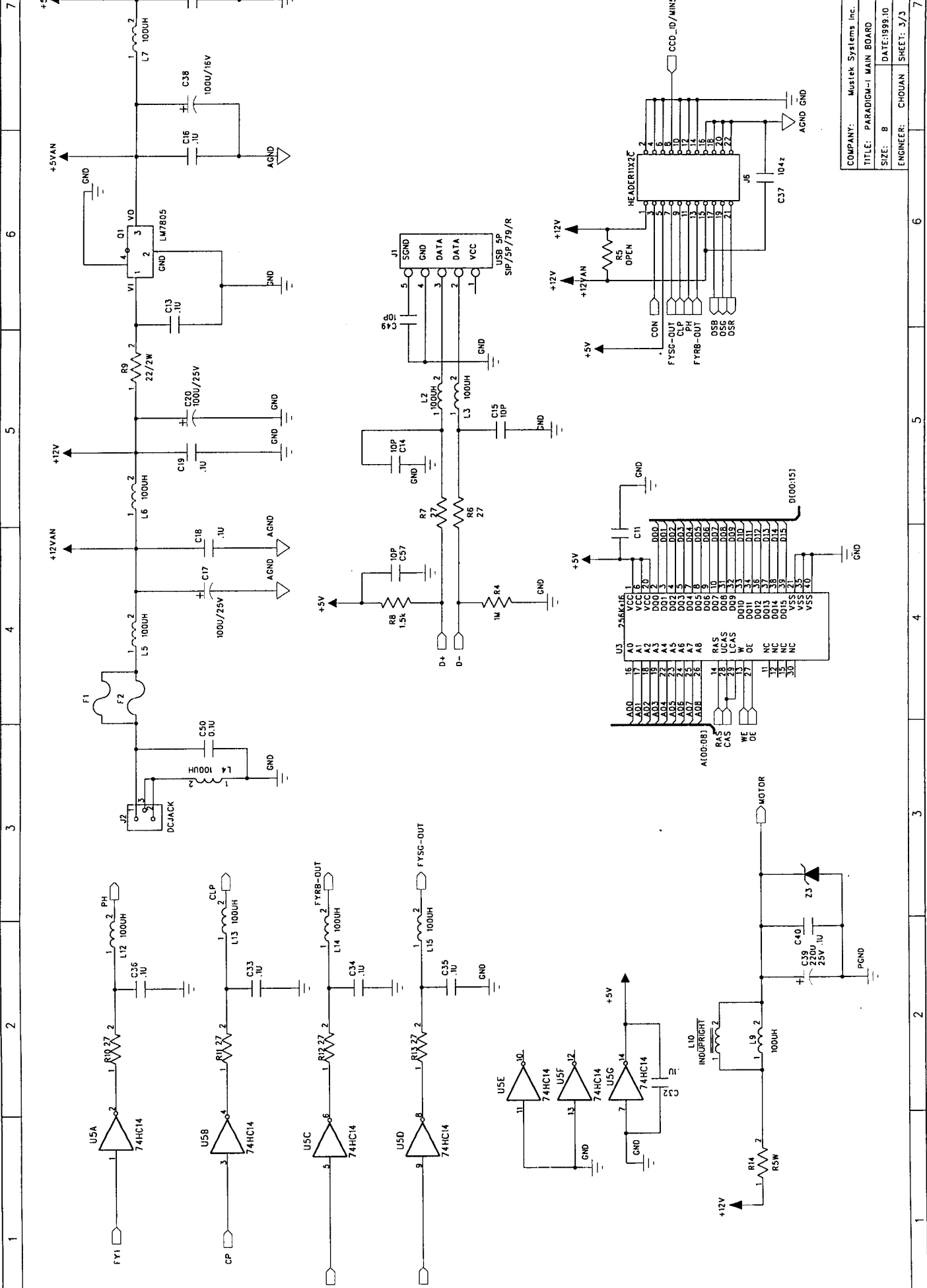
1 2 3 4 5 6 7



FCO ID: HWFBEARPAW

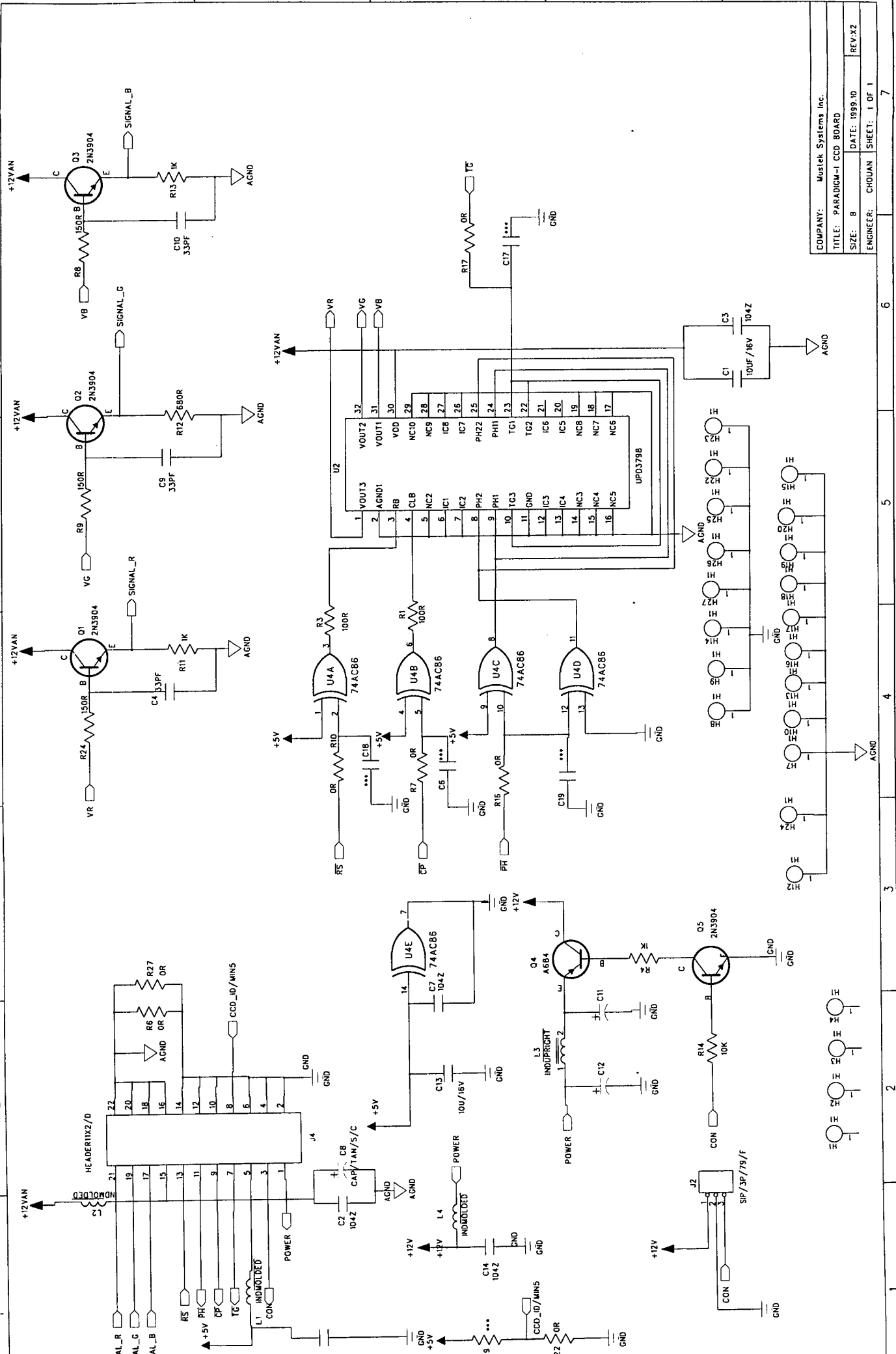
COMPANY:	Mustek Systems Inc.
TITLE:	PARADIGM-1 MAIN BOARD
SIZE:	B
DATE:	1999.10
ENGINEER:	CHOUAN
SHEET:	2/3

1 2 3 4 5 6 7

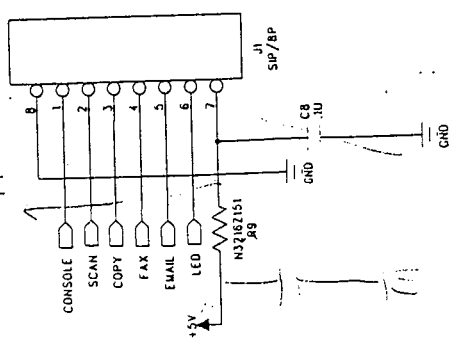
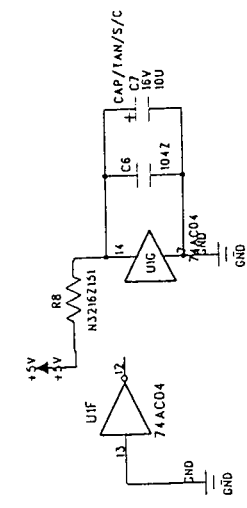
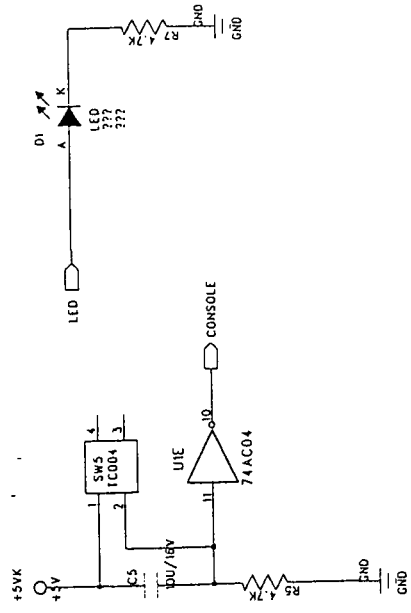
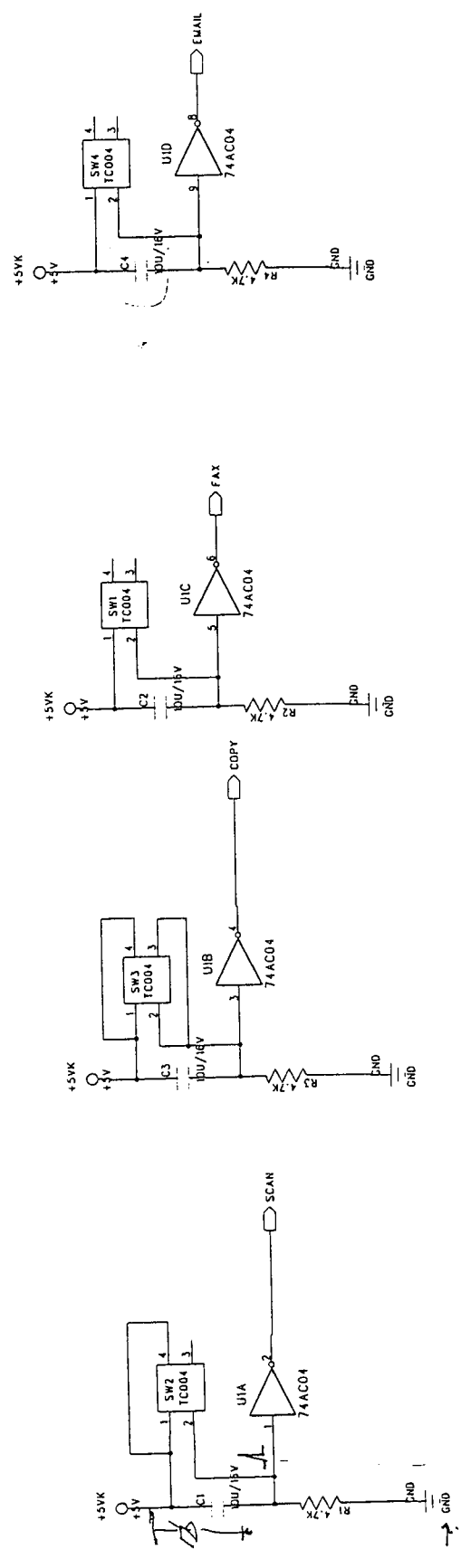


COMPANY:	Mustek Systems Inc.
TITLE:	PARADIGM-I MAIN BOARD
SIZE:	8
DATE:	1999.10
ENGINEER:	CHOUAN
SHEET:	3/3

1 2 3 4 5 6 7



COMPANY: Mustek Systems Inc.	
TITLE: PARADIGM-1 CCD BOARD	
SIZE: B	DATE: 1999.10
ENGINEER: CHOUAN	SHEET: 1 OF 1



COMPANY: Muslek Systems Inc.			
TITLE: PANEL BOARD			
SIZE: B	DATE: 88 B 10	REV: X1	
ENGINEER: EDDIE	SHEET: 1/1		