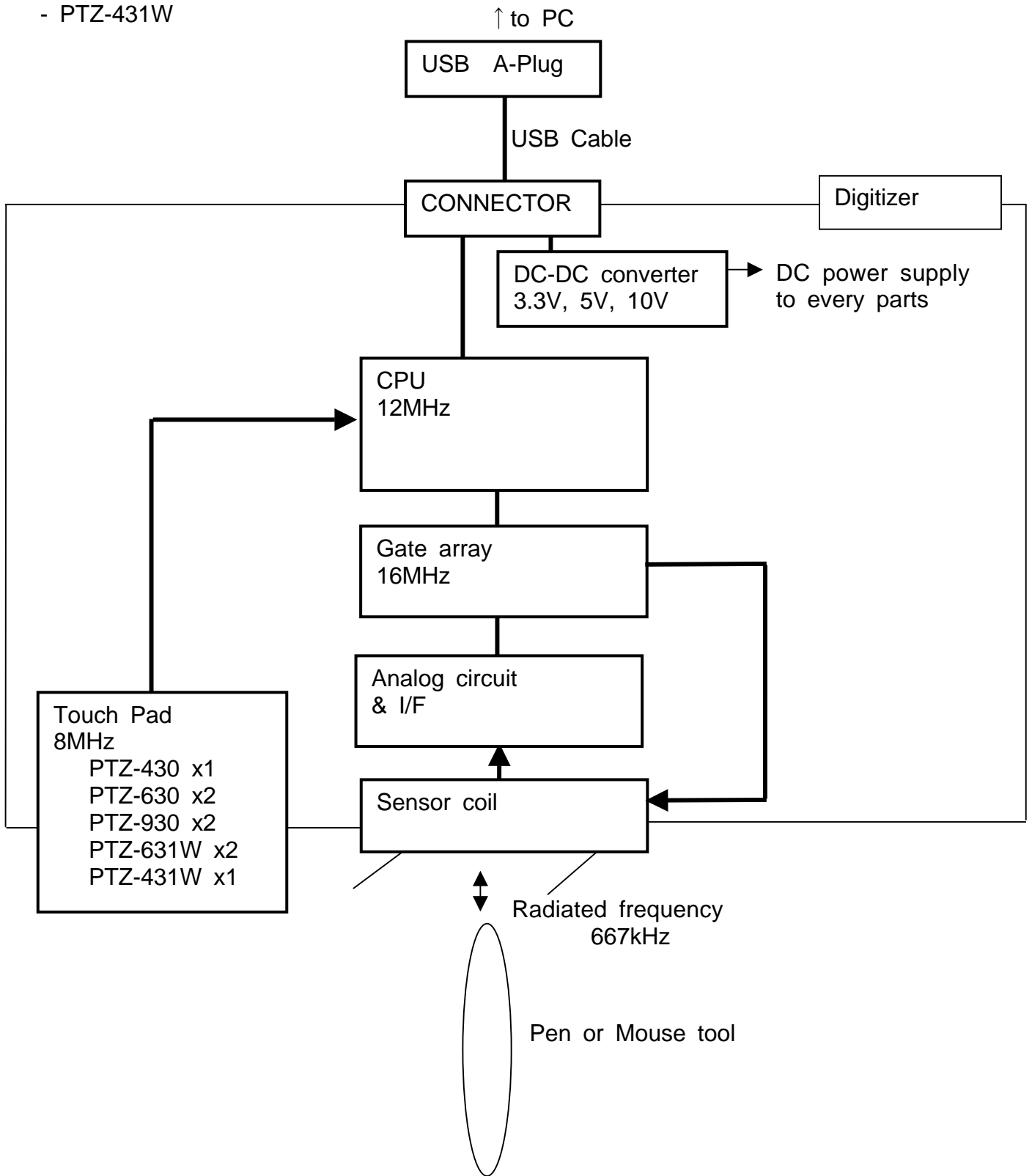


CIRCUIT BLOCK DIAGRAM

- PTZ-430
- PTZ-630
- PTZ-930
- PTZ-631W
- PTZ-431W



CIRCUIT BLOCK DIAGRAM

- ZP-130
- ZP-400E
- ZP-501E
- ZP-300E
- ZP-600
- ZC-100

