

PL-400 EMI Parts

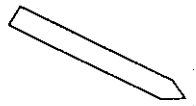
TABLET

Parts Number	Description	Curcuit Sign	Quantity	Maker
DSS710D223S12.22	EMI SUPPRESSION FILTER	F 301	1	MURATA MANUFACTURING CO.,LTD
BLM21B222SPT	CHIP EMI SUPPRESSION FILTER	F 302~305	4	MURATA MANUFACTURING CO.,LTD
GRM40F104Z25PT	CAPACITOR	C 301.302.314	3	MURATA MANUFACTURING CO.,LTD
GRM40CH330G50PT	CAPACITOR	C 308~311	4	MURATA MANUFACTURING CO.,LTD
MCA-A088	Shielding Case			

I/F BOARD

Parts Number	Description	Curcuit Sign	Quantity	Maker
BMK400	CHIP EMI SUPPRESSION FILTER	FIL 4~6	3	NIIGATA SEIMITSU CO.,LTD
NFM40R01C470	EMI SUPPRESSION FILTER	FIL 1~3	3	MURATA MANUFACTURING CO.,LTD
BL03RN2-R62	CHIP EMI SUPPRESSION FILTER	L 19~21	3	MURATA MANUFACTURING CO.,LTD
BLM41A800SPT	CHIP EMI SUPPRESSION FILTER	L 13.18	2	MURATA MANUFACTURING CO.,LTD
BLM21A121S	CHIP EMI SUPPRESSION FILTER	L 1~12.14~17	16	MURATA MANUFACTURING CO.,LTD

STYLUS PEN



INTERFACE CONNECTOR

Digital Video Signal (LVDS)

+5V  
±5V  
±9V

DC/DC CONVERETR  
250kHz

X' tal  
2MHz

LCD UNIT

BACK LIGHT  
INVERTER  
45.45kHz

800V

BACK LIGHT

TABLET

DC/DC CONVERETR  
52kHz

+15V

+3V

562.50kHz  
531.25kHz  
593.75kHz

REGULATOR

+5V

CPU  
W7003F

ANALOG IC  
W6004

RS-232C

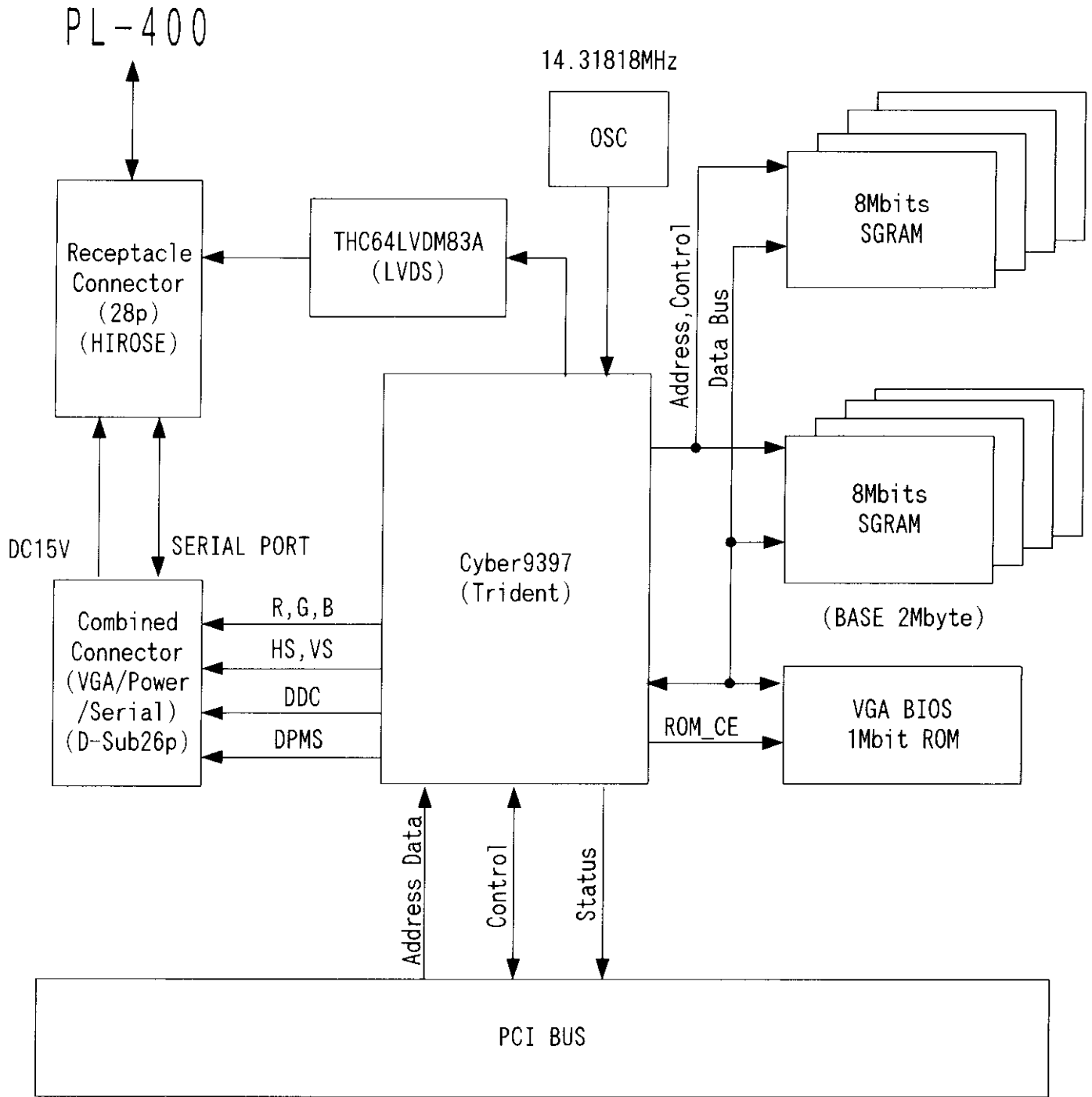
16MHz

X' tal

Flash memory

# <PL-400 Block Diagram>

1998.05.22 WACOM Co., Ltd.



Clock Rate

Crystal Oscillator 14.31818MHz

<PB-MAX Block Diagram>