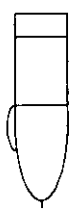


SENSOR SECTOR
SCAN FREQUENCY
 (=RESONANCE
 FREQUENCY)

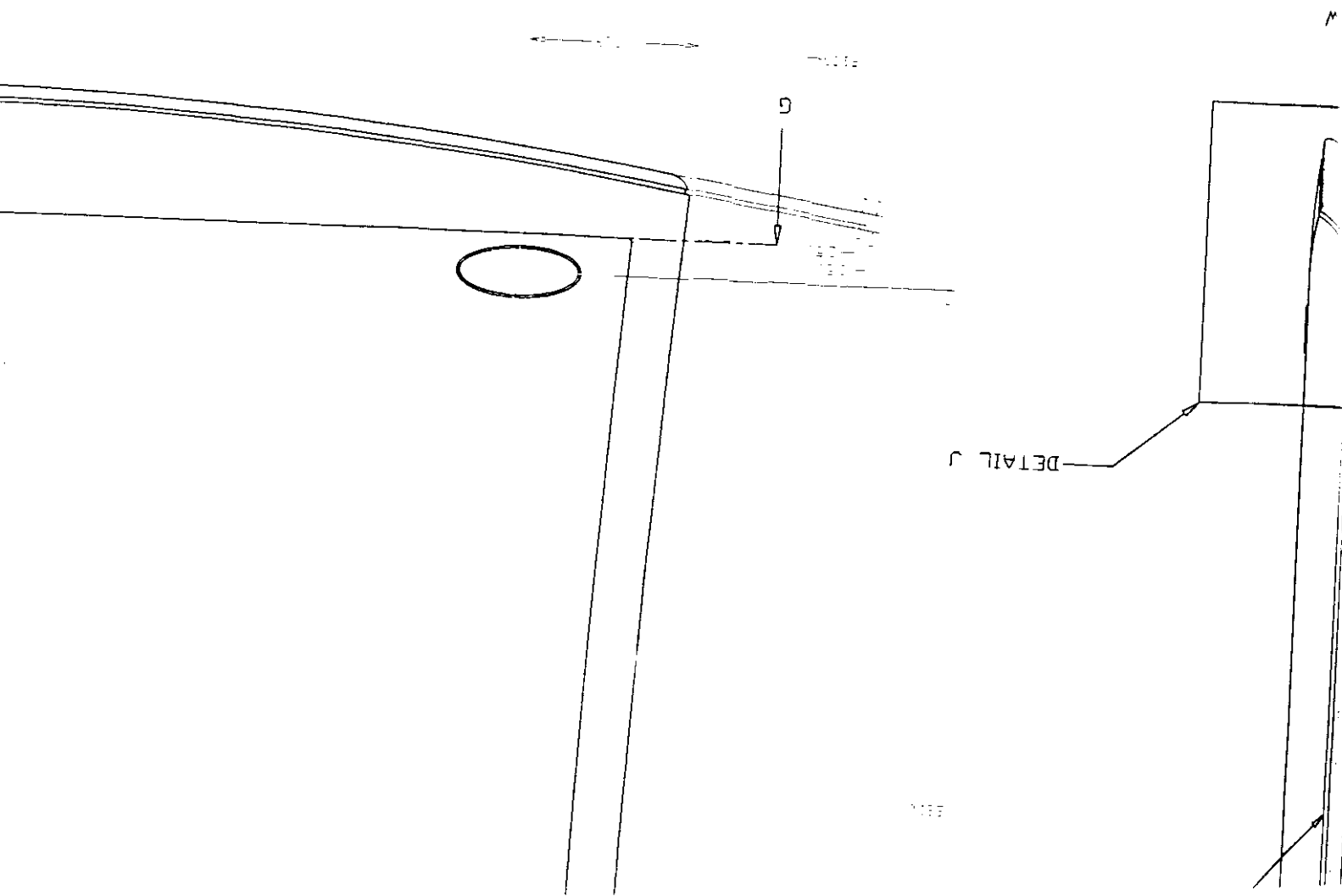


STYLUSES & OTHER DEVICES
 (NO BATTERY)
 460.8KHz
 384.0KHz

SENSOR ALL
SCAN FREQUENCY
 460.8kHz
 384.0kHz

PWB PartNo. PWB-A402

WACOM CO.,LTD.				SHT	NAME	GD-0608-R***
					NOTE	Circuit Block Diagram
APP	CHK	DES&DRW	DRAWING NO.		REV.	
			A4C-181A001			

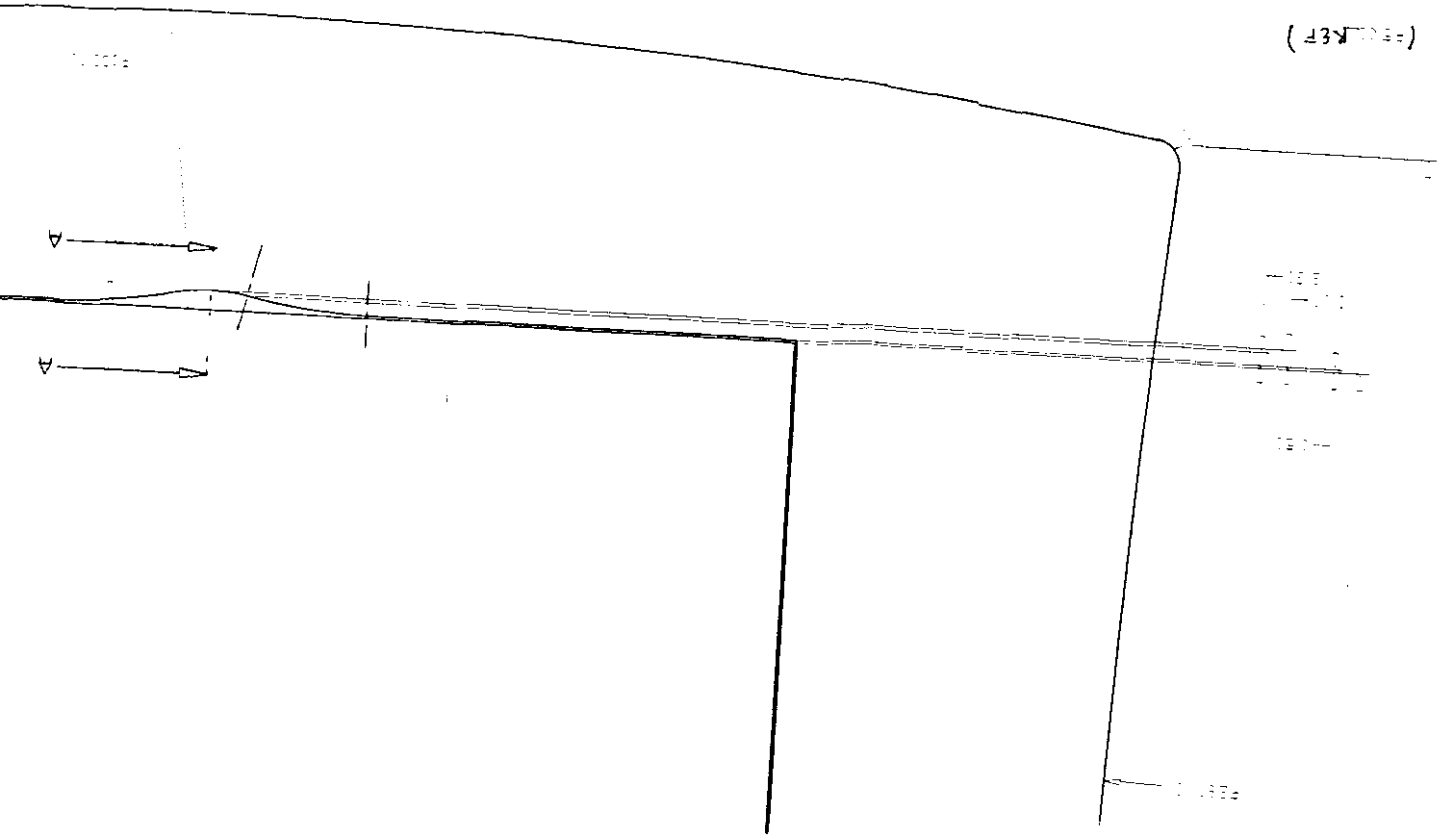
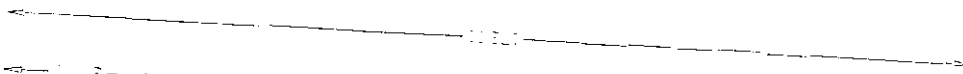
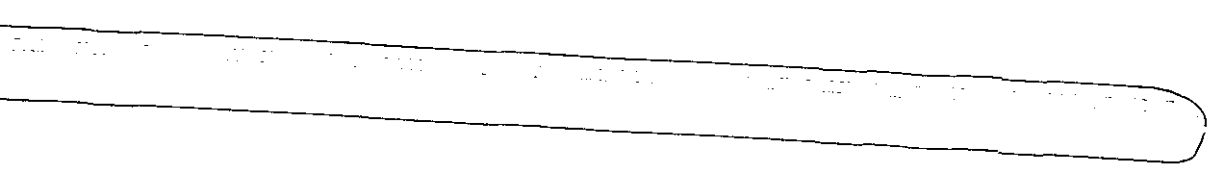


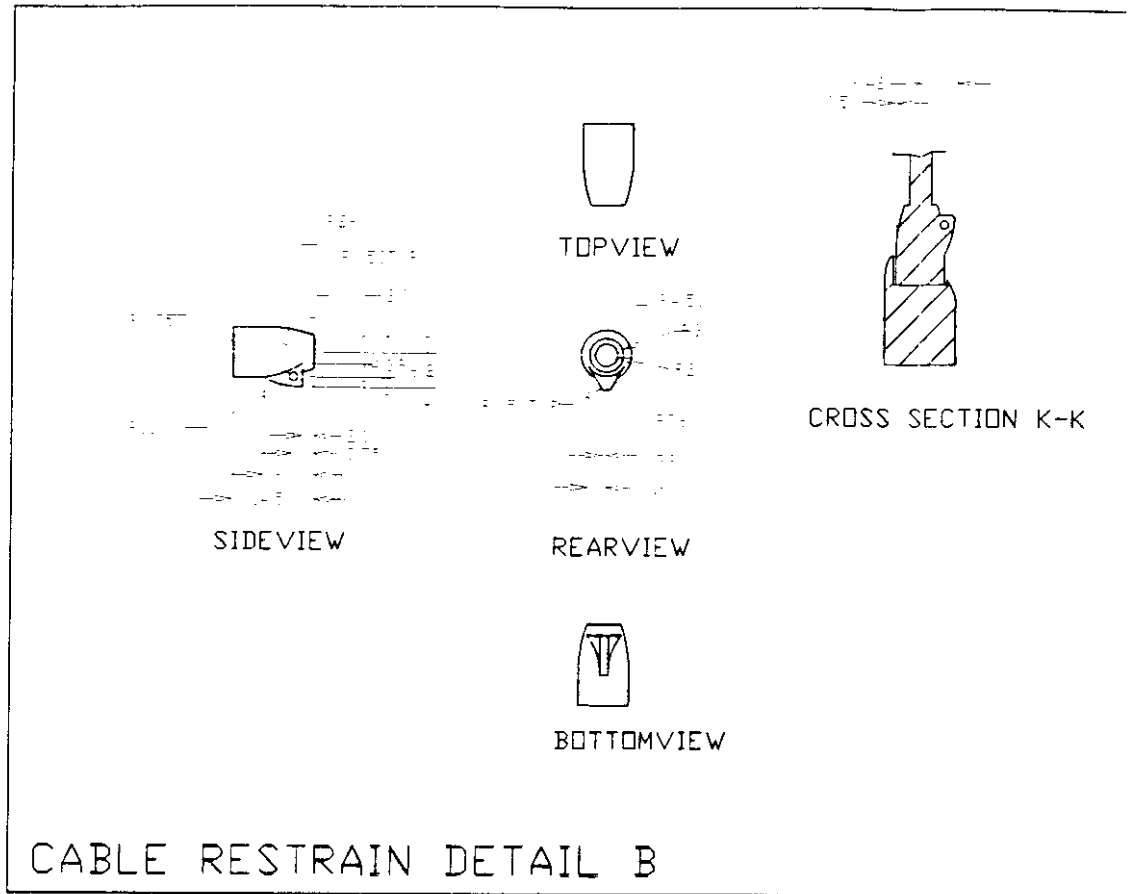
ING LINE AS THIN AS POSSIBLE
ICIFIED RADII TO BE 0.5MM

FRONT VIEW

TOP VIEW

(SEE REF)





C



2

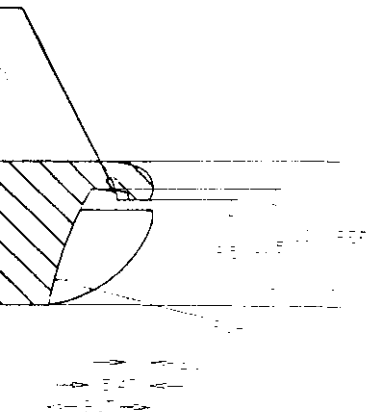
1

Design, Inc. All rights reserved. This document is the property of Zibc Design, Inc. and no one may use it without the written permission of Zibc Design, Inc.

REVISIONS

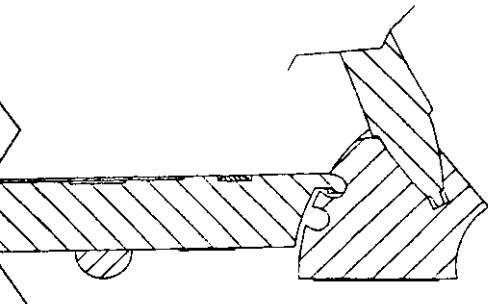
REV	DESCRIPTION OF CHANGE	DATE
00		

H



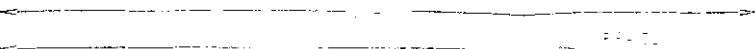
CROSS SECTION D-D
(SCALE 4:1)

G



CROSS SECTION C-C; WITH PEN HOLDER
ATTACHED AND IN 1.5 DEGREE TILT ANGLE

F



EMI PARTS GD-0608-R 98/03/06

PARTS NUMBER	NAME	CIRCUIT SIGN	QUANTITY	MAKER
BLM11A102S	COIL	F 1, 2, 3, 4, 5	5	MURATA MANUFACTURING Co., Ltd.
F6 RH 6.4X10.0X3.2	FERRITE CORE		1	FERRICO CORP.
ALUMINIUM PET	SHIELD FOIL		1	FUKUDA METAL FOIL&POWER CO., LTD.
TERAOKA NO. 8321	COPPER TAPE		1	TERAOKA MANUFACTUR Co., Ltd.