



**Spectrum Research
& Testing Lab., Inc.**

No. 101-10, Ling 8,
Shan-Tong Li, Chung-Li
City, Taoyuan, Taiwan,
R.O.C.

TEST REPORT

Reference No.:A04080303
Report No.:FCCA04080303
Page:1 of 20
Date:Aug. 22, 2004

Product Name: 17" LCD Pen Tablet System
Model No.: DTU-710X
Applicant: WACOM Co., Ltd.
2-510-1 Toyonodai Otone-machi
Kitasaitama-gun Saitama, 349-1148 Japan
Date of Receipt: Aug. 03, 2004
Finished date of Test: Aug. 10, 2004
Applicable Standards: 47 CFR Part 15, Subpart C, Class B
ANSI C63.4:2003

We, **Spectrum Research & Testing Laboratory Inc.**, hereby certify that one sample of the above was tested in our laboratory with positive results according to the above-mentioned standards. The records in the report are an accurate account of the results. Details of the results are given in the subsequent pages of this report.

Checked By : *Kun Su for* , Date: 08 / 22 / 2004
(Sunyou Chen)

Approved By : *JH* , Date: 8 / 22 / 2004
(Johnson Ho, Director)



Table of Contents

1.	DOCUMENT POLICY AND TEST STATEMENT	3
1.1	DOCUMENT POLICY	3
1.2	TEST STATEMENT	3
2.	DESCRIPTION OF EUT AND TEST MODE	4
2.1	GENERAL DESCRIPTION OF EUT	4
2.2	DESCRIPTION OF EUT INTERNAL DEVICE	4
2.3	DESCRIPTION OF TEST MODE	5
2.4	DESCRIPTION OF SUPPORT UNIT	5
3.	DESCRIPTION OF APPLIED STANDARDS	5
4.	CONDUCTED EMISSION TEST	6
4.1	CONDUCTED EMISSION LIMIT	6
4.2	TEST EQUIPMENT	6
4.3	TEST SETUP	7
4.4	TEST PROCEDURE	7
4.5	EUT OPERATING CONDITION	7
4.6	TEST RESULT	8
5.	RADIATED EMISSION TEST	11
5.1	RADIATED EMISSION LIMIT	11
5.2	TEST EQUIPMENT	12
5.3	TEST SET-UP	13
5.4	TEST PROCEDURE	14
5.5	EUT OPERATING CONDITION	14
5.6	RADIATED EMISSION TEST RESULT	15
6.	PHOTOS OF TESTING	18
7.	TERMS OF ABRIVATION	20



1. DOCUMENT POLICY AND TEST STATEMENT

1.1 DOCUMENT POLICY

- The report shall not be reproduced except in full, without the written approval of SRT Lab, Inc.
- The report must not be used by the applicant to claim that the product is endorsed by NVLAP, TÜV, NEMKO and SRT.
- The NVLAP logo applies only to the applicable standards specified in this report.

1.2 TEST STATEMENT

- The test results in the report apply only to the unit tested by SRT Lab.
- There was no deviation from the requirements of test standards during the test.
- AC power source, 120 Vac/60 Hz, was used during the test.

1.3 EUT MODIFICATION

- No modification in SRT Lab.



2. DESCRIPTION OF EUT AND TEST MODE

2.1 GENERAL DESCRIPTION OF EUT

PRODUCT	17" LCD Pen Tablet System
MODEL NO.	DTU-710X
POWER SUPPLY	AC100~240V 45watts or less
CABLE	2.0m Shielded USB Cable 2.0m Shielded DVI to VGA Cable 2.0m Shielded DVI to DVI Cable 2.0m Shielded RS232 Cable 1.8m Unshielded Power Cord
FREQUENCY	531.25KHz, 562.50KHz and 593.75KHz
NUMBER OF CHANNEL	3
CHANNEL SPACING	31.25KHz
ANTENNA TYPE	Loop Antenna

NOTE:

The "X" in the model number could be A~Z, 0~9 or blank. They are identical in all aspects except for the marketing area.

For more detailed information, please refer to the EUT's specification or user's manual provided by manufacturer.

2.2 DESCRIPTION OF EUT INTERNAL DEVICE

DEVICE	BRAND / MAKER	MODEL #	FCC ID/DOC	REMARK
PANEL	AUO	PL07	N/A	

NOTE :

1. The highest clock is 14.318MHz.
2. Frequency range to be measured.
Radiated emission is 30 MHz to 1 GHz.



2.3 DESCRIPTION OF TEST MODE

The EUT was tested for emission measurement under the following situations:

Mode	Frequency
Mode 1	593.73KHz
Mode 2	562.50KHz
Mode 3	531.25KHz

2.4 DESCRIPTION OF SUPPORT UNIT

The EUT was configured by the requirement of ANSI C63.4:2003 and CISRP22:2003. All interface ports were connected to the appropriate support units via specific cables. The support units and cables are listed below.

NO	DEVICE	BRAND	MODEL #	FCC ID / DOC	CABLE
1	PRINTER	EPSON	STYLUS C20SX	DOC	1.5m unshielded power cord 1.5m shielded data cable
2	KEYBOARD	IBM	SK-8820	DOC	1.5m shielded data cable
3	PC SYSTEM	ACER	VT7600	DOC	1.8m unshielded power cord
4	MOUSE	IBM	MU29J	DOC	1.5m shielded data cable

NOTE : For the actual test configuration, please refer to the photos of testing.

3. DESCRIPTION OF APPLIED STANDARDS

The EUT is a kind of ITE and according to the specifications provided by the applicant, it must comply with the requirements of the following standards:

47 CFR Part 15, Subpart C

ANSI C63.4:2003

All tests have been performed and recorded as per the above standards.



4. CONDUCTED EMISSION TEST

4.1 CONDUCTED EMISSION LIMIT

FREQUENCY (MHz)	Class A (dB μ V)		Class B (dB μ V)	
	Quasi-peak	Average	Quasi-peak	Average
0.15 - 0.5	79	66	66 - 56	56 - 46
0.5 - 5.0	73	60	56	46
5.0 - 30.0	73	60	60	50

NOTE:

1. The lower limit shall apply at the transition frequencies.
2. The limit decreases in line with the logarithm of the frequency in the range of 0.15 to 0.50 MHz.

4.2 TEST EQUIPMENT

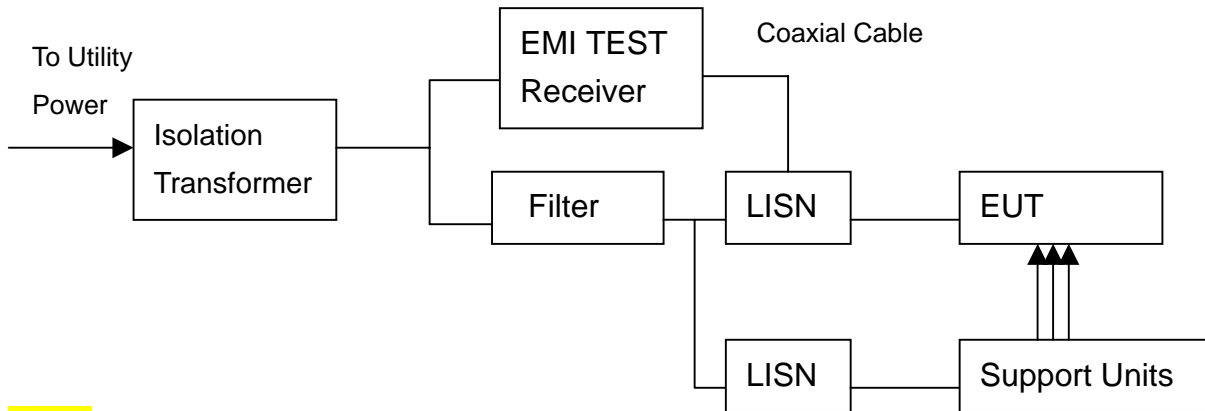
The following test equipment was used for the test:

EQUIPMENT/ FACILITIES	SPECIFICATIONS	MANUFACTURER	MODEL#/ SERIAL#	DUE DATE OF CAL. & CAL. CENTER
EMI TEST RECEIVER	9 kHz TO 2750 MHz	ROHDE & SCHWARZ	ESCS30/ 830245/012	SEP. 2004 R&S
LISN (for EUT)	50 μ H, 50 ohm	SOLAR ELECTRONICS	FCC-LISN-50-25-2 / 01018	NOV. 2004 ETC
LISN (for Peripheral)	50 μ H, 50 ohm	SOLAR ELECTRONICS	9252-50-R-24-BNC / 951318	JUN. 2005 ETC
50 ohm TERMINATOR	50 ohm	HP	11593A/ 2	MAR. 2005 ETC
COAXIAL CABLE	3m	SUNCITY	J400/ 3M	JUL. 2005 SRT
ISOLATION TRANSFORMER	N/A	APC	AFC-11015/ F102040016	N/A
FILTER	2 LINE, 30A	FIL.COIL	FC-943/ 771	N/A
GROUND PLANE	2.3M (H) x 2.4M (W)	SRT	N/A	N/A
GROUND PLANE	2.4M (H) x 2.4M (W)	SRT	N/A	N/A

NOTE: The calibration interval of the above test equipment is one year and the calibrations are traceable to NML/ROC and NIST/USA.



4.3 TEST SETUP



NOTE:

1. The EUT was put on a wooden table with 0.8m heights above ground plane, and 0.4m away from reference ground plane (> 2mx2m).
2. For the actual test configuration, please refer to the photos of testing.
3. The serial no. of the LISN connected to EUT is 951318.
4. The serial no. of the LISN connected to support units is 924839.

4.4 TEST PROCEDURE

The EUT was tested according to the requirement of ANSI C63.4:2003 and CISRP22:2003. The frequency spectrum from 0.15 MHz to 30 MHz was investigated. The LISN used was 50 ohm/50μH as specified. All readings were quasi-peak and average values with 10 kHz resolution bandwidth of the test receiver. The EUT system was operated in all typical methods by users. Both lines of the power mains of EUT were measured and the cables connected to EUT and support units were moved to find the maximum emission levels for each frequency. First, find the margin or higher points at least 6 points by software, then use manual to find the maximum data. The procedure is referred on the test procedure of SRT LAB.

4.5 EUT OPERATING CONDITION

1. Under Windows XP ran "EMI TEST" and "EMC TEST" programs.
2. PC sent "H" pattern or accessed the following peripherals directly or via EUT:
 - Color Monitor
 - RS232
 - Keyboard
 - Mouse
 - Printer
 - FDD
 - HDD



4.6 TEST RESULT

Temperature:	<u>24 °C</u>	Humidity:	<u>52 %RH</u>
Ferquency Range:	<u>0.15 – 30 MHz</u>	Test Mode:	<u>1 (593.75KHz)</u>
Receiver Detector:	<u>Q.P. and AV.</u>	Tested By:	<u>Kevin Liao</u>
		Tested Date:	<u>Aug. 18, 2004</u>

Power Line Measured : Line

Freq. (MHz)	Correct. Factor (dB)	Reading Value (dBμV)		Emission Level (dBμV)		Limit (dBμV)		Margin (dB)	
		Q.P.	AV.	Q.P.	AV.	Q.P.	AV.	Q.P.	AV.
0.165	0.30	44.68	39.19	44.98	39.49	65.19	55.19	-20.21	-15.70
0.168	0.30	44.94	39.47	45.24	39.77	65.04	55.04	-19.80	-15.27
0.668	0.25	37.16	36.49	37.41	36.74	56.00	46.00	-18.60	-9.27
1.834	0.18	34.84	34.05	35.02	34.23	56.00	46.00	-20.98	-11.77
2.111	0.18	35.36	34.47	35.54	34.65	56.00	46.00	-20.46	-11.35
12.450	0.72	24.70	16.64	25.42	17.36	60.00	50.00	-34.58	-32.64

Power Line Measured : Neutral

Freq. (MHz)	Correct. Factor (dB)	Reading Value (dBμV)		Emission Level (dBμV)		Limit (dBμV)		Margin (dB)	
		Q.P.	AV.	Q.P.	AV.	Q.P.	AV.	Q.P.	AV.
0.498	0.30	37.08	36.49	37.38	36.79	56.02	46.02	-18.64	-9.23
0.501	0.30	37.40	36.98	37.70	37.28	56.00	46.00	-18.30	-8.72
1.167	0.29	38.04	36.66	38.33	36.95	56.00	46.00	-17.67	-9.05
1.665	0.29	37.26	36.31	37.55	36.60	56.00	46.00	-18.45	-9.40
1.834	0.28	36.70	35.70	36.98	35.98	56.00	46.00	-19.02	-10.02
5.000	0.33	35.58	32.97	35.91	33.30	56.00	46.00	-20.09	-12.70

NOTE :

1. Measurement uncertainty is +/-1.32dB
2. Emission level = Reading value + Correction factor
3. Correction Factor = Cable loss + Insertion loss of LISN
4. Margin value = Emission level - Limit
5. The emission of other frequencies were very low against the limit.
6. "-": The Quasi-peak reading value also meets average limit and measurement with the average detector is unnecessary.



Temperature:	24 °C	Humidity:	52 %RH
Ferquency Range:	0.15 – 30 MHz	Test Mode:	2 (562.50KHz)
Receiver Detector:	Q.P. and AV.	Tested By:	Kevin Liao
		Tested Date:	Aug. 18, 2004

Power Line Measured : Line

Freq. (MHz)	Correct. Factor (dB)	Reading Value (dB μ V)		Emission Level (dB μ V)		Limit (dB μ V)		Margin (dB)	
		Q.P.	AV.	Q.P.	AV.	Q.P.	AV.	Q.P.	AV.
0.498	0.27	34.06	32.08	34.33	32.35	56.02	46.02	-21.69	-13.67
0.501	0.26	34.14	32.56	34.40	32.82	56.00	46.00	-21.60	-13.18
0.668	0.25	37.08	36.40	37.33	36.65	56.00	46.00	-18.68	-9.36
1.665	0.19	35.14	34.13	35.33	34.32	56.00	46.00	-20.67	-11.68
2.497	0.18	34.48	33.18	34.66	33.36	56.00	46.00	-21.34	-12.64
6.319	0.41	33.50	13.77	33.91	14.18	60.00	50.00	-26.09	-35.82

Power Line Measured : Neutral

Freq. (MHz)	Correct. Factor (dB)	Reading Value (dB μ V)		Emission Level (dB μ V)		Limit (dB μ V)		Margin (dB)	
		Q.P.	AV.	Q.P.	AV.	Q.P.	AV.	Q.P.	AV.
0.498	0.30	37.26	36.49	37.56	36.79	56.02	46.02	-18.46	-9.23
0.501	0.30	37.80	37.03	38.10	37.33	56.00	46.00	-17.90	-8.67
1.167	0.29	38.18	36.85	38.47	37.14	56.00	46.00	-17.53	-8.86
1.556	0.29	37.22	36.08	37.51	36.37	56.00	46.00	-18.49	-9.63
1.665	0.29	37.06	36.03	37.35	36.32	56.00	46.00	-18.65	-9.68
5.000	0.33	35.46	32.75	35.79	33.08	56.00	46.00	-20.21	-12.92

NOTE :

1. Measurement uncertainty is +/-1.32dB
2. Emission level = Reading value + Correction factor
3. Correction Factor = Cable loss + Insertion loss of LISN
4. Margin value = Emission level - Limit
5. The emission of other frequencies were very low against the limit.
6. "-": The Quasi-peak reading value also meets average limit and measurement with the average detector is unnecessary.



Temperature:	24 °C	Humidity:	52 %RH
Ferquency Range:	0.15 – 30 MHz	Test Mode:	3 (531.25KHz)
Receiver Detector:	Q.P. and AV.	Tested By:	Kevin Liao
		Tested Date:	Aug. 18, 2004

Power Line Measured : Line

Freq. (MHz)	Correct. Factor (dB)	Reading Value (dB μ V)		Emission Level (dB μ V)		Limit (dB μ V)		Margin (dB)	
		Q.P.	AV.	Q.P.	AV.	Q.P.	AV.	Q.P.	AV.
0.339	0.28	23.06	19.90	23.34	20.18	59.21	49.21	-35.87	-29.03
0.390	0.28	34.38	33.18	34.66	33.46	58.05	48.05	-23.39	-14.59
0.668	0.25	37.04	36.36	37.29	36.61	56.00	46.00	-18.72	-9.40
2.111	0.18	35.44	34.54	35.62	34.72	56.00	46.00	-20.38	-11.28
2.388	0.18	35.30	34.15	35.48	34.33	56.00	46.00	-20.52	-11.67
6.248	0.40	32.18	9.73	32.58	10.13	60.00	50.00	-27.42	-39.87

Power Line Measured : Neutral

Freq. (MHz)	Correct. Factor (dB)	Reading Value (dB μ V)		Emission Level (dB μ V)		Limit (dB μ V)		Margin (dB)	
		Q.P.	AV.	Q.P.	AV.	Q.P.	AV.	Q.P.	AV.
0.498	0.30	37.24	36.42	37.54	36.72	56.02	46.02	-18.48	-9.30
0.501	0.30	37.80	36.98	38.10	37.28	56.00	46.00	-17.90	-8.72
1.167	0.29	37.94	36.82	38.23	37.11	56.00	46.00	-17.77	-8.89
1.388	0.29	37.06	36.27	37.35	36.56	56.00	46.00	-18.65	-9.44
1.834	0.28	36.60	35.64	36.88	35.92	56.00	46.00	-19.12	-10.08
5.000	0.33	35.20	32.67	35.53	33.00	56.00	46.00	-20.47	-13.00

NOTE :

1. Measurement uncertainty is +/-1.32dB
2. Emission level = Reading value + Correction factor
3. Correction Factor = Cable loss + Insertion loss of LISN
4. Margin value = Emission level - Limit
5. The emission of other frequencies were very low against the limit.
6. "-": The Quasi-peak reading value also meets average limit and measurement with the average detector is unnecessary.



5. RADIATED EMISSION TEST

5.1 RADIATED EMISSION LIMIT

FCC Part 15, Subpart B Section 15.209.

FREQUENCY (MHz)	DISTANCE (m)	FIELD STRENGTH ($\mu\text{V}/\text{m}$)
0.009 - 0.490	300	2400/F(kHz)
0.490-1.705	300	24000/F(kHz)
1.705-30.0	30	30
30 - 88	3	100
88 - 216	3	150
216 - 960	3	200
ABOVE 960	3	500

NOTE :

1. In the emission tables above, the tighter limit applies at the band edges.
2. Distance refers to the distance between measuring instrument, antenna, and the closest point of any part of the device or system.

FCC Part 15, Subpart A Section 15.31(f)(2) Extrapolation factor of 40 dB/decade for measurement distances different than specified in with limits for frequencies below 30 MHz.

FCC Part15, Subpart C Section 15.209 limit of radiated emission for frequency below1000MHz. The emissions from an intentional radiator shall not exceed the field strength levels specified in the following table:

FREQUENCY (MHz)	DISTANCE (m)	FIELD STRENGTH (dB $\mu\text{V}/\text{m}$)
30 - 88	3	40.0
88 - 216	3	43.5
216 - 960	3	46.0
Above 960	3	54.0

NOTE :

1. In the emission tables above , the tighter limit applies at the band edges.
2. Distance refers to the distance between measuring instrument, antenna, and the closest point of any part of the device or system.



5.2 TEST EQUIPMENT

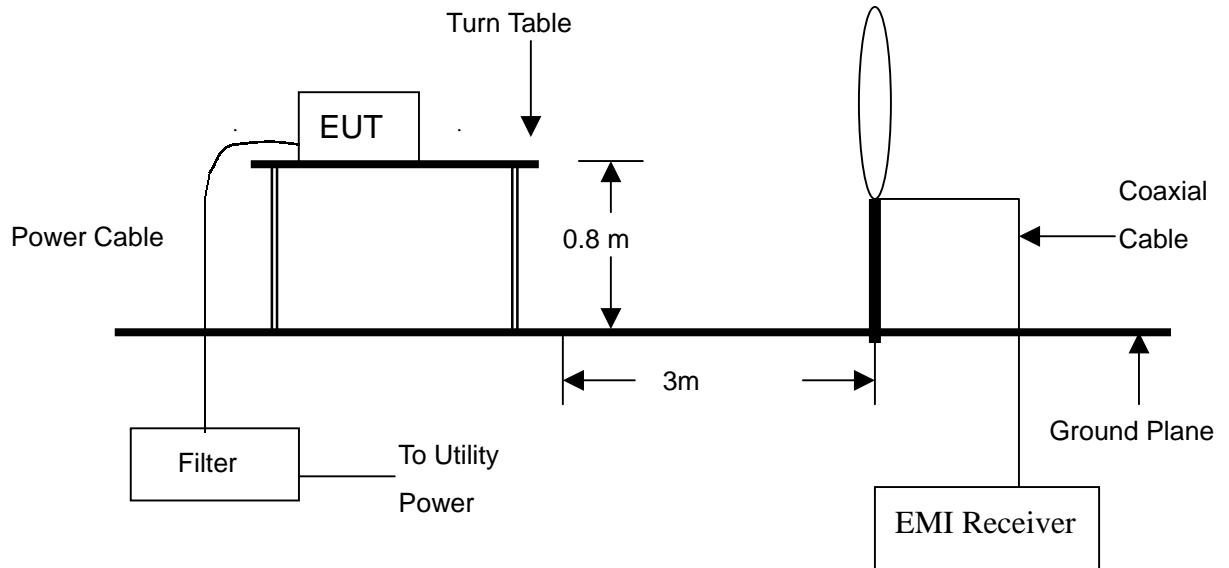
The following test equipment was used during the radiated emission test:

EQUIPMENT/ FACILITIES	SPECIFICATIONS	MANUFACTURER	MODEL#/ SERIAL#	DUE DATE OF CAL. & CAL. CENTER
EMI TEST RECEIVER	9 kHz TO 2750 MHz	ROHDE & SCHWARZ	ESCS30/ 830245/012	SEP. 2004 R&S
BI-LOG ANTENNA	25 MHz TO 2 GHz	EMCO	3142/ 9701-1124	APR. 2005 SRT
OATS	3 – 10 M MEASUREMENT	SRT	SRT-1	APR. 2005 SRT
COAXIAL CABLE	25M	SUNCITY	J400/ 25M	AUG. 2005 SRT
FILTER	2 LINE, 30A	FIL.COIL	FC-943/ 869	N/A
FREQUENCY CONVERTER	N/A	APC	AFC-2KBB/ F100030031	AUG. 2005 SRT
LOOP ANTENNA	9 kHz TO 30 MHz	SCHWARZ	FHF2-Z2/ 1162 1/2	OCT. 2004 R&S
ANECHOIC CHAMBER	733	SRT	A03/ SRT003	DEC. 2004 SRT

NOTE:

1. The calibration interval of the above test equipment is one year and the calibrations are traceable to NML/ROC and NIST/USA.
2. The Open Area Test Site (SRT-1) is registered by FCC with No. 90957 and VCCI with No. R-1081.
3. The Open Area Test Site (SRT-2) is registered by FCC with No. 98458 and VCCI with No. R-1168.

5.3 TEST SET-UP



NOTE :

1. The EUT system was put on a wooden table with 0.8m heights above a ground plane.
2. For the actual test configuration, please refer to the photos of testing.



5.4 TEST PROCEDURE

The EUT was tested according to the requirement of ANSI C63.4:2003. The measurements were made at an open area test site with 3 meter measurement distance. The test receiver captured the test result plot and delta mark to 26dBc. Then printed out the plot on screen of the test receiver.

5.5 EUT OPERATING CONDITION

Same as section 4.5 of this report.



Spectrum Research & Testing Lab., Inc.

No. 101-10, Ling 8,
Shan-Tong Li, Chung-Li
City, Taoyuan, Taiwan,
R.O.C.

TEST REPORT

Reference No.:A04080303
Report No.:FCCA04080303
Page:15 of 20
Date:Aug. 22, 2004

5.6 RADIATED EMISSION TEST RESULT

Temperature:	<u>24 °C</u>	Humidity:	<u>52 %RH</u>
Ferquency Range:	<u>593kHz</u>	Measured Distance:	<u>3m</u>
Receiver Detector:	<u>Q.P.</u>	Tested Mode:	<u>1 (593.75KHz)</u>
Tested By:	<u>Kevin Liao</u>	Tested Date:	<u>Aug. 18, 2004</u>

Frequency (kHz)	Cable Loss (dB)	Antenna Factor (dB/m)	Reading Data (dBμV)	Emission Level (dBμV/m)	Limit (dBμV/m)	Margin (dB)
593.0(F)	0.38	21.30	36.63	58.31	72.14	-13.83
1078.0	0.32	21.26	17.77	39.35	66.95	-27.60
1782.0	0.32	21.16	15.40	36.89	69.54	-32.66
2375.0	0.33	20.96	8.25	29.54	69.54	-40.00

- NOTE :**
1. Measurement uncertainty is less than +/- 2dB
 2. "**": Measurement does not apply for this frequency.
 3. Emission Level = Reading Value + Ant. Factor + Cable Loss
 4. $Limit(dBuV/m)=20\log\{24000/F(kHz)\}$ (The measurement distance at 300m)
 $+40\log(300/3)$ (The measurement distance at 3m)
 5. The field strength of other emission frequencies were very low against the limit.
 6. (F) : Fundamental frequency of transmitter.

**Spectrum Research & Testing Lab., Inc.**No. 101-10, Ling 8,
Shan-Tong Li, Chung-Li
City, Taoyuan, Taiwan,
R.O.C.**TEST REPORT**Reference No.:A04080303
Report No.:FCCA04080303
Page:16 of 20
Date:Aug. 22, 2004

Temperature:	<u>24 °C</u>	Humidity:	<u>52 %RH</u>
Frequency Range:	<u>490 kHz – 30 MHz</u>	Measured Distance:	<u>3m</u>
Receiver Detector:	<u>Q.P.</u>	Tested Mode:	<u>2 (562.50KHz)</u>
Tested By:	<u>Kevin Liao</u>	Tested Date:	<u>Aug. 18, 2004</u>

Frequency (kHz)	Cable Loss (dB)	Antenna Factor (dB/m)	Reading Data (dB μ V)	Emission Level (dB μ V/m)	Limit (dB μ V/m)	Margin (dB)
562.0(F)	0.54	21.30	37.77	59.61	72.61	-13.00
1124.0	0.32	21.26	20.11	41.69	66.59	-24.90
1687.0	0.32	21.16	16.13	37.62	63.06	-25.45
2250.0	0.33	20.96	12.71	34.00	69.54	-35.54
2814.0	0.26	20.96	9.18	30.40	69.54	-39.14

- NOTE :**
1. Measurement uncertainty is less than +/- 2dB
 2. "**": Measurement does not apply for this frequency.
 3. Emission Level = Reading Value + Ant. Factor + Cable Loss
 4. Limit(dBuV/m)= $20\log\{24000/F(\text{kHz})\}$ (The measurement distance at 300m)
+ $40\log(300/3)$ (The measurement distance at 3m)
 5. The field strength of other emission frequencies were very low against the limit.
 6. (F) : Fundamental frequency of transmitter.

**Spectrum Research & Testing Lab., Inc.**No. 101-10, Ling 8,
Shan-Tong Li, Chung-Li
City, Taoyuan, Taiwan,
R.O.C.**TEST REPORT**Reference No.:A04080303
Report No.:FCCA04080303
Page:17 of 20
Date:Aug. 22, 2004

Temperature:	<u>24 °C</u>	Humidity:	<u>52 %RH</u>
Frequency Range:	<u>490 kHz – 30 MHz</u>	Measured Distance:	<u>3m</u>
Receiver Detector:	<u>Q.P.</u>	Tested Mode:	<u>3 (531.25KHz)</u>
Tested By:	<u>Kevin Liao</u>	Tested Date:	<u>Aug. 18, 2004</u>

Frequency (kHz)	Cable Loss (dB)	Antenna Factor (dB/m)	Reading Data (dBμV)	Emission Level (dBμV/m)	Limit (dBμV/m)	Margin (dB)
531.0(F)	0.54	21.30	35.85	57.69	73.10	-15.41
1064.0	0.32	21.26	22.03	43.61	67.07	-23.46
1593.0	0.32	21.16	21.95	43.44	63.56	-20.12
2127.0	0.33	20.96	14.73	36.02	69.54	-33.52
2657.0	0.26	20.96	11.46	32.68	69.54	-36.86

- NOTE :**
1. Measurement uncertainty is less than +/- 2dB
 2. "**": Measurement does not apply for this frequency.
 3. Emission Level = Reading Value + Ant. Factor + Cable Loss
 4. $Limit(dBuV/m)=20\log\{24000/F(kHz)\}$ (The measurement distance at 300m)
 $+40\log(300/3)$ (The measurement distance at 3m)
 5. The field strength of other emission frequencies were very low against the limit.
 6. (F) : Fundamental frequency of transmitter.



6. PHOTOS OF TESTING

- Conducted test





- Radiated test





**Spectrum Research
& Testing Lab., Inc.**

No. 101-10, Ling 8,
Shan-Tong Li, Chung-Li
City, Taoyuan, Taiwan,
R.O.C.

TEST REPORT

Reference No.:A04080303
Report No.:FCCA04080303
Page:20 of 20
Date:Aug. 22, 2004

7. TERMS OF ABRIVATION

AV.	Average detection
AZ(°)	Turn table azimuth
Correct.	Correction
EL(m)	Antenna height (meter)
EUT	Equipment Under Test
Horiz.	Horizontal direction
LISN	Line Impedance Stabilization Network
NSA	Normalized Site Attenuation
Q.P.	Quasi-peak detection
SRT Lab	Spectrum Research & Testing Laboratory, Inc.
Vert.	Vertical direction