



**Spectrum Research
& Testing Lab., Inc.**

No. 101-10, Ling 8,
Shan-Tong Li, Chung-Li
City, Taoyuan, Taiwan,
R.O.C.

TEST REPORT

Reference No.:A04102905
Report No.:FCBA04102905
Page:1 of 21
Date:Nov. 24, 2004

Product Name: LCD TABLET
Model No.: DTI-520X (The "X" in the model number could be A~Z,
0~9 or blank)
Applicant: Foxlink Image Technology CO., LTD.
11, Lane 596, Chien Hsing Road, Sec. 2,
Hsinfeng, Hsinchu, Taiwan
Brand: Wacom Co., Ltd.
Date of Receipt: Oct. 29, 2004
Date of Test: Nov. 24, 2004
Applicable Standards: 47 CFR Part 15, Subpart B, Class B
ANSI C63.4:2003

We, **Spectrum Research & Testing Laboratory Inc.**, hereby certify that one sample of the above was tested in our laboratory with positive results according to the above-mentioned standards. The records in the report are an accurate account of the results. Details of the results are given in the subsequent pages of this report.

Checked By : Sunyou Chen , Date: 11/24/2004
(Sunyou Chen)

Approved By : James Lee Date: Nov. 24, 2004
(Johnson Ho, Director) JA

NVLAP[®]

Lab Code: 200099-0



Table of Contents

1.	DOCUMENT POLICY AND TEST STATEMENT	3
1.1	DOCUMENT POLICY	3
1.2	TEST STATEMENT	3
1.3	EUT MODIFICATION.....	3
2.	DESCRIPTION OF EUT AND TEST MODE	4
2.1	GENERAL DESCRIPTION OF EUT	4
2.2	DESCRIPTION OF EUT INTERNAL DEVICE	4
2.3	DESCRIPTION OF TEST MODE	5
2.4	DESCRIPTION OF SUPPORT UNIT.....	5
3.	DESCRIPTION OF APPLIED STANDARDS	6
4.	CONDUCTED EMISSION TEST	7
4.1	CONDUCTED EMISSION LIMIT	7
4.2	TEST EQUIPMENT	7
4.3	TEST SETUP	8
4.4	TEST PROCEDURE	8
4.5	EUT OPERATING CONDITION	9
4.6	TEST RESULT	10
5.	RADIATED EMISSION TEST	12
5.1	RADIATED EMISSION LIMIT	12
5.2	TEST EQUIPMENT	12
5.3	TEST SET-UP	13
5.4	TEST PROCEDURE	14
5.5	EUT OPERATING CONDITION	14
5.6	RADIATED EMISSION TEST RESULT	15
6.	PHOTOS OF TESTING	17
7.	TERMS OF ABRIVATION.....	21



1. DOCUMENT POLICY AND TEST STATEMENT

1.1 DOCUMENT POLICY

- The report shall not be reproduced except in full, without the written approval of SRT Lab, Inc.
- The report must not be used by the applicant to claim that the product is endorsed by NVLAP, TÜV, NEMKO and SRT.
- The NVLAP logo applies only to the applicable standards specified in this report.

1.2 TEST STATEMENT

- The test results in the report apply only to the unit tested by SRT Lab.
- There was no deviation from the requirements of test standards during the test.
- AC power source, 120 Vac/60 Hz, was used during the test.

1.3 EUT MODIFICATION

- No modification in SRT Lab.



2. DESCRIPTION OF EUT AND TEST MODE

2.1 GENERAL DESCRIPTION OF EUT

PRODUCT	LCD TABLET
MODEL NO.	DTI-520X (The "X" in the model number could be A~Z, 0~9 or blank)
BRAND	Wacom Co., Ltd.
POWER SUPPLY	DC from an external power adapter Brand: HJC Model No.: HASU11FB40 Input: 100-240V, 50/60Hz, 1.5A Output: 12V, 3.30A Cable: 0.6m unshielded power cable with one ferrite core
CABLE	2.0m shielded USB cable, 2.0m shielded AV cable, 2.0m shielded VGA cable with two ferrite cores, 1.8m unshielded power cord
TYPE	Production Type

NOTE :

The "X" in the model number could be A~Z, 0~9 or blank. They are identical in all aspects except for the marketing area.

For more detailed information, please refer to the EUT' s specification or user' s manual provided by manufacturer.

2.2 DESCRIPTION OF EUT INTERNAL DEVICE

DEVICE	BRAND/MAKER	MODEL #	FCC ID/DOC	REMARK
PANEL	CPT	CLAA150XP 01	N/A	

NOTE :

1. The highest clock is 27MHz.
2. Frequency range to be measured.
Radiated emission is 30MHz to 1GHz.



2.3 DESCRIPTION OF TEST MODE

The EUT was pre-tested under the following video resolution:

640x480, 800x600 and 1024x768

The worst emission was found under 1024x768 and therefore the test data of only this mode is recorded.

The EUT was tested for emission measurement under the following situations:

No.	Output
1	VGA
2	AV

2.4 DESCRIPTION OF SUPPORT UNIT

The EUT was configured by the requirement of ANSI C63.4:2003 and CISPR 22:2003. All interface ports were connected to the appropriate support units via specific cables. The support units and cables are listed below.

NO	DEVICE	BRAND	MODEL #	FCC ID/DOC	CABLE
1	PC SYSTEM	ACER	VT7600	DOC	1.8m unshielded power cord
2	MONITOR	SAMSUNG	PG17IS	DOC	1.5m unshielded power cord 1.5m shielded data cable
3	PRINTER	EPSON	STYLUS C20SX	DOC	1.5m unshielded power cord 1.5m shielded data cable
4	MODEM	ACEEX	DM-1414	DOC	1.8m unshielded DC power cable 1.5m shielded data cable
5	KEYBOARD	ACER	6312-TA4C/6	DOC	1.5m shielded data cable
6	MOUSE	MICROSOFT	ITE78CJ	DOC	1.5m shielded data cable
7	DVD PLAYER	LG	DK4941N	N/A	1.5m unshielded power cable
8	USB 2.0 HDD	TERASYS	F12-U	DOC	1.5m unshielded power cable 1.2m shielded data cable

NOTE : For the actual test configuration, please refer to the photos of testing.



**Spectrum Research
& Testing Lab., Inc.**

No. 101-10, Ling 8,
Shan-Tong Li, Chung-Li
City, Taoyuan, Taiwan,
R.O.C.

TEST REPORT

Reference No.:A04102905

Report No.:FCBA04102905

Page:6 of 21

Date:Nov. 24, 2004

3. DESCRIPTION OF APPLIED STANDARDS

The EUT is a kind of ITE and according to the specifications provided by the applicant, it must comply with the requirements of the following standards:

47 CFR Part 15 Subpart B, Class B

All tests have been performed and recorded as per the above standards.



4. CONDUCTED EMISSION TEST

4.1 CONDUCTED EMISSION LIMIT

CISPR 22:2003 limits of radiated emission measurement for frequency below 1000 MHz

FREQUENCY (MHz)	Class A (dBmV)		Class B (dBmV)	
	Quasi-peak	Average	Quasi-peak	Average
0.15 - 0.5	79	66	66 - 56	56 - 46
0.5 - 5.0	73	60	56	46
5.0 - 30.0	73	60	60	50

NOTE:

1. The lower limit shall apply at the transition frequencies.
2. The limit decreases in line with the logarithm of the frequency in the range of 0.15 to 0.50 MHz.

4.2 TEST EQUIPMENT

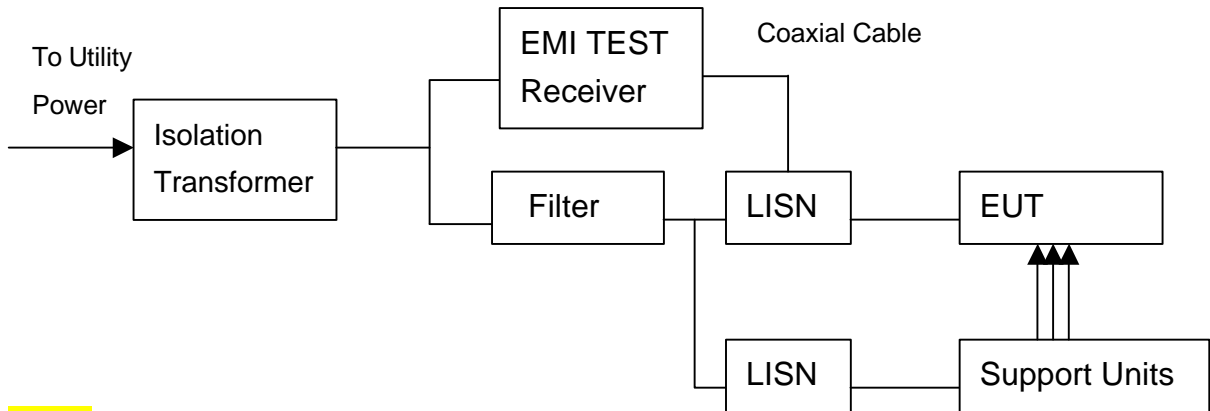
The following test equipment was used for the test:

EQUIPMENT/ FACILITIES	SPECIFICATIONS	MANUFACTURER	MODEL#/ SERIAL#	DUE DATE OF CAL. & CAL. CENTER
EMI TEST RECEIVER	9 kHz TO 30 MHz	ROHDE & SCHWARZ	ESHS30/ 826003/008	AUG. 2005 ETC
LISN (for EUT)	50μH, 50 ohm	SOLAR ELECTRONICS	FCC-LISN-50-25-2 / 01018	NOV. 2005 ETC
LISN (for Peripheral)	50μH, 50 ohm	SOLAR ELECTRONICS	9252-50-R-24-BNC / 951318	JUN. 2005 ETC
50 ohm TERMINATOR	50 ohm	HP	11593A/ 2	MAR. 2005 ETC
COAXIAL CABLE	3m	SUNCITY	J400/ 3M	JUL. 2005 SRT
ISOLATION TRANSFORMER	N/A	APC	AFC-11015/ F102040016	N/A
FILTER	2 LINE, 30A	FIL.COIL	FC-943/ 771	N/A
GROUND PLANE	2.3M (H) x 2.4M (W)	SRT	N/A	N/A
GROUND PLANE	2.4M (H) x 2.4M (W)	SRT	N/A	N/A

NOTE: The calibration interval of the above test equipment is one year and the calibrations are traceable to NML/ROC and NIST/USA.



4.3 TEST SETUP



NOTE:

1. The EUT was put on a wooden table with 0.8m heights above ground plane, and 0.4m away from reference ground plane (> 2mx2m).
2. For the actual test configuration, please refer to the photos of testing.

4.4 TEST PROCEDURE

The EUT was tested according to the requirement of ANSI C63.4:2003 and CISPR 22:2003. The frequency spectrum from 0.15 MHz to 30 MHz was investigated. The LISN used was 50 ohm/50 μ H as specified. All readings were quasi-peak and average values with 10 kHz resolution bandwidth of the test receiver. The EUT system was operated in all typical methods by users. Both lines of the power mains of EUT were measured and the cables connected to EUT and support units were moved to find the maximum emission levels for each frequency. First, find the margin or higher points at least 6 points by software, then use manual to find the maximum data. The procedure is referred on the test procedure of SRT LAB.



4.5 EUT OPERATING CONDITION

1. Under Windows XP ran “EMI TEST”, “WIN FCC”, “Media Player” and “XCOPY” programs.
2. PC sent "H" pattern or accessed the following peripherals directly or via EUT:
 - Color Monitor
 - RS232
 - Keyboard
 - Mouse
 - Printer
 - FDD
 - HDD
3. Played DVD..



4.6 TEST RESULT

Temperature:	20 °C	Humidity:	50 %RH
Ferquency Range:	0.15 – 30 MHz	Tested Mode	VGA
Receiver Detector:	Q.P. and AV.	Tested By:	Oscar Lu
		Tested Date:	Nov. 23, 2004

Power Line Measured : Line

Freq. (MHz)	Correct. Factor (dB)	Reading Value (dBmV)		Emission Level (dBmV)		Limit (dBmV)		Margin (dB)	
		Q.P.	AV.	Q.P.	AV.	Q.P.	AV.	Q.P.	AV.
0.165	0.30	50.66	43.22	50.96	43.52	65.19	55.19	-14.23	-11.67
0.438	0.42	42.16	40.24	42.58	40.66	57.08	47.08	-14.50	-6.42
0.548	0.46	42.04	40.32	42.50	40.78	56.00	46.00	-13.50	-5.22
1.537	0.70	40.32	36.79	41.02	37.49	56.00	46.00	-14.99	-8.52
12.054	0.97	48.00	41.65	48.97	42.62	60.00	50.00	-11.03	-7.38
12.166	0.97	48.02	41.66	48.99	42.63	60.00	50.00	-11.01	-7.37

Power Line Measured : Neutral

Freq. (MHz)	Correct. Factor (dB)	Reading Value (dBmV)		Emission Level (dBmV)		Limit (dBmV)		Margin (dB)	
		Q.P.	AV.	Q.P.	AV.	Q.P.	AV.	Q.P.	AV.
0.162	0.30	47.22	39.48	47.52	39.78	65.34	55.34	-17.82	-15.56
0.165	0.30	48.66	40.81	48.96	41.11	65.19	55.19	-16.23	-14.08
1.972	0.78	37.28	33.35	38.06	34.13	56.00	46.00	-17.94	-11.87
3.566	0.84	38.06	31.09	38.90	31.93	56.00	46.00	-17.11	-14.08
11.628	0.99	46.34	39.30	47.33	40.29	60.00	50.00	-12.67	-9.71
12.501	1.01	44.64	38.06	45.65	39.07	60.00	50.00	-14.35	-10.93

NOTE :

1. Measurement uncertainty is +/-1.32dB
2. Emission level = Reading value + Correction factor
3. Correction Factor = Cable loss + Insertion loss of LISN
4. Margin value = Emission level - Limit
5. The emission of other frequencies were very low against the limit.
6. "-": The Quasi-peak reading value also meets average limit and measurement with the average detector is unnecessary.



Temperature:	20 °C	Humidity:	50 %RH
Ferquency Range:	0.15 – 30 MHz	Tested Mode	AV
Receiver Detector:	Q.P. and AV.	Tested By:	Oscar Lu
		Tested Date:	Nov. 23, 2004

Power Line Measured : Line

Freq. (MHz)	Correct. Factor (dB)	Reading Value (dBmV)		Emission Level (dBmV)		Limit (dBmV)		Margin (dB)	
		Q.P.	AV.	Q.P.	AV.	Q.P.	AV.	Q.P.	AV.
0.165	0.30	51.02	43.40	51.32	43.70	65.19	55.19	-13.87	-11.49
0.168	0.30	48.50	41.05	48.80	41.35	65.04	55.04	-16.24	-13.69
0.548	0.46	41.60	39.87	42.06	40.33	56.00	46.00	-13.94	-5.67
1.645	0.69	41.10	38.65	41.79	39.34	56.00	46.00	-14.21	-6.66
11.861	0.97	44.28	36.82	45.25	37.79	60.00	50.00	-14.75	-12.21
12.186	0.97	46.82	38.59	47.79	39.56	60.00	50.00	-12.21	-10.44

Power Line Measured : Neutral

Freq. (MHz)	Correct. Factor (dB)	Reading Value (dBmV)		Emission Level (dBmV)		Limit (dBmV)		Margin (dB)	
		Q.P.	AV.	Q.P.	AV.	Q.P.	AV.	Q.P.	AV.
0.165	0.30	49.16	40.95	49.46	41.25	65.19	55.19	-15.73	-13.94
0.168	0.30	46.38	38.46	46.68	38.76	65.04	55.04	-18.36	-16.28
1.972	0.78	38.44	33.72	39.22	34.50	56.00	46.00	-16.78	-11.50
2.467	0.77	37.28	32.44	38.05	33.21	56.00	46.00	-17.95	-12.79
12.014	1.01	43.34	36.72	44.35	37.73	60.00	50.00	-15.65	-12.27
12.450	1.01	43.68	36.90	44.69	37.91	60.00	50.00	-15.31	-12.09

NOTE :

1. Measurement uncertainty is +/-1.32dB
2. Emission level = Reading value + Correction factor
3. Correction Factor = Cable loss + Insertion loss of LISN
4. Margin value = Emission level - Limit
5. The emission of other frequencies were very low against the limit.
6. "-": The Quasi-peak reading value also meets average limit and measurement with the average detector is unnecessary.



5. RADIATED EMISSION TEST

5.1 RADIATED EMISSION LIMIT

CISPR 22:2003 limits of radiated emission measurement for frequency below 1000 MHz

FREQUENCY (MHz)	Class A (at 10m)	Class B (at 10m)
	dBmV/m	dBmV/m
30 – 230	40	30
230 - 1000	47	37

NOTE:

1. The lower limit shall apply at the transition frequencies.
2. Emission level (dBμV/m) = 20 log Emission level (μV/m).

5.2 TEST EQUIPMENT

The following test equipment was used during the radiated emission test:

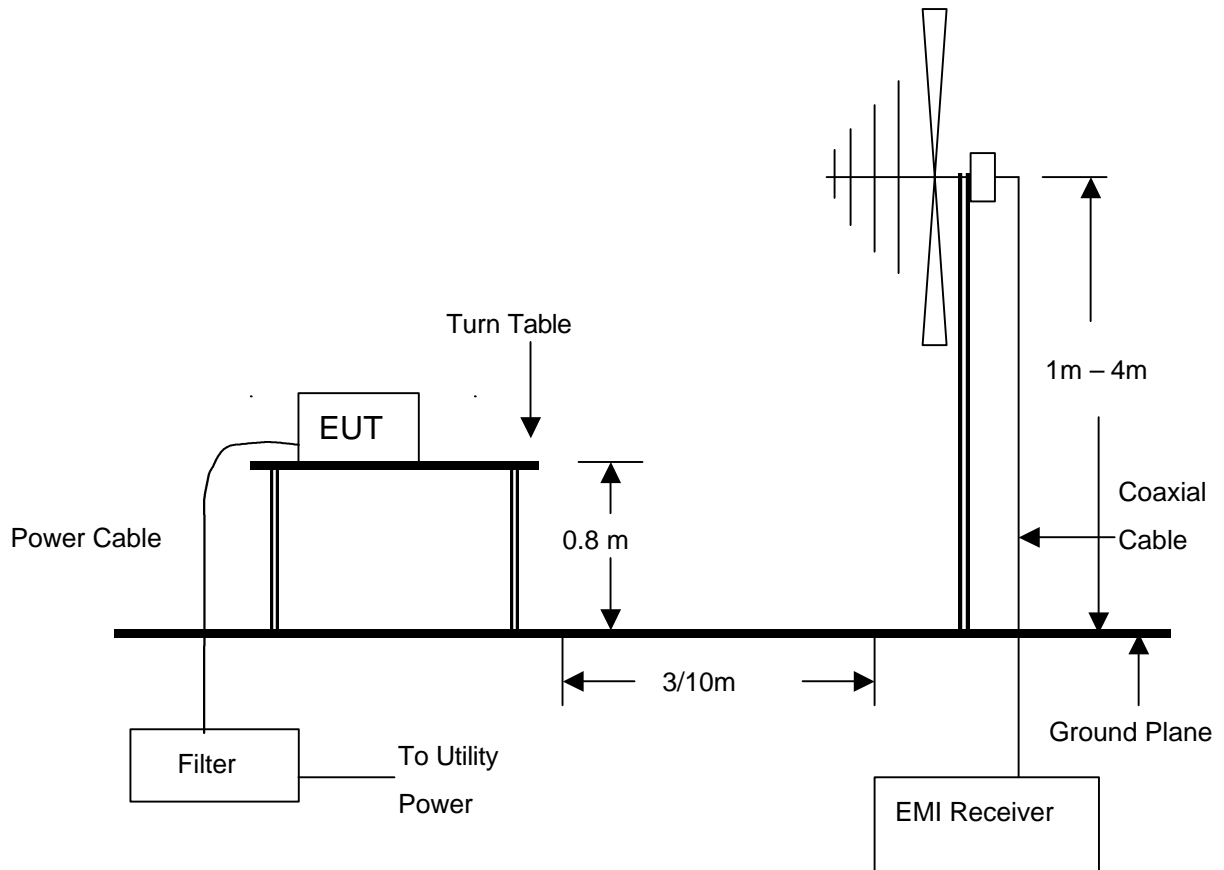
EQUIPMENT/ FACILITIES	SPECIFICATIONS	MANUFACTURER	MODEL#/ SERIAL#	DUE DATE OF CAL. & CAL. CENTER
EMI TEST RECEIVER	20 kHz TO 1 GHz	ROHDE & SCHWARZ	ESVS30/ 841977/003	SEP. 2005 ETC
BI-LOG ANTENNA	25 MHz TO 2 GHz	EMCO	3142/ 9701-1124	APR. 2005 SRT
OATS	3 – 10 M MEASUREMENT	SRT	SRT-1	APR. 2005 SRT
COAXIAL CABLE	25M	SUNCITY	J400/ 25M	AUG. 2005 SRT
FILTER	2 LINE, 30A	FIL.COIL	FC-943/ 869	N/A
FREQUENCY CONVERTER	N/A	APC	AFC-2KBB/ F100030031	AUG. 2005 SRT

NOTE:

1. The calibration interval of the above test equipment is one year and the calibrations are traceable to NML/ROC and NIST/USA.
2. The Open Area Test Site (SRT-1) is registered by FCC with No. 90957 and VCCI with No. R-1081.
3. The Open Area Test Site (SRT-2) is registered by FCC with No. 98458 and VCCI with No. R-1168.



5.3 TEST SET-UP



NOTE :

1. The EUT system was put on a wooden table with 0.8m heights above a ground plane.
2. For the actual test configuration, please refer to the photos of testing.



5.4 TEST PROCEDURE

The EUT was tested according to the requirement of ANSI C63.4:2003 and CISPR 22:2003. The measurements were made at an open area test site with 10 meter measurement distance under 1 GHz and with 3m distance above 1GHz. The frequency spectrum measured started from 30 MHz. Under 1 GHz, all readings were quasi-peak values with 120 kHz resolution bandwidth of the test receiver. Above 1 GHz, the measurements were made at an open area test site with 3 meter measurement distance and all readings were peak or average values with 1 MHz resolution bandwidth of the test receiver. The EUT system was operated in all typical methods by users. The cables connected to EUT and support units were moved to find the maximum emission levels for each frequency. First, find the margin or higher points at least 6 points by software, then use manual to find the maximum data. The procedure is referred on the test procedure of SRT LAB.

5.5 EUT OPERATING CONDITION

Same as section 4.5 of this report.



5.6 RADIATED EMISSION TEST RESULT

Temperature:	<u>20 °C</u>	Humidity:	<u>50 %RH</u>
Ferquency Range:	<u>30 – 1000 MHz</u>	Measured Distance:	<u>10m</u>
Receiver Detector:	<u>Q.P.</u>	Tested Mode:	<u>VGA</u>
Tested By:	<u>Oscar Lu</u>	Tested Date:	<u>Nov. 22, 2004</u>

Antenna Polarization: Horizontal

Frequency (MHz)	Cable Loss (dB)	Antenna Factor (dB/m)	Reading Data (dBµV)	Emission Level (dBµV/m)	Limit (dBµV/m)	Margin (dB)	AZ(°)	EL(m)
72.0140	1.18	6.26	16.0	23.4	30.0	-6.6	168.5	4.00
113.7440	1.56	7.34	12.7	21.6	30.0	-8.4	64.7	4.00
240.0420	2.10	11.08	17.4	30.6	37.0	-6.4	40.1	4.00
269.8440	2.19	12.49	11.1	25.8	37.0	-11.2	89.6	2.07
630.1697	4.36	19.80	6.3	30.5	37.0	-6.5	188.5	1.60
720.2380	4.08	21.24	6.2	31.5	37.0	-5.5	287.4	1.00

Antenna Polarization: Vertical

Frequency (MHz)	Cable Loss (dB)	Antenna Factor (dB/m)	Reading Data (dBµV)	Emission Level (dBµV/m)	Limit (dBµV/m)	Margin (dB)	AZ(°)	EL(m)
45.0357	0.97	7.60	13.6	22.2	30.0	-7.8	160.3	1.00
216.0028	2.09	10.07	11.3	23.5	30.0	-6.5	47.8	1.00
240.0060	2.10	11.08	14.4	27.6	37.0	-9.4	65.2	1.00
270.0040	2.15	12.54	13.0	27.7	37.0	-9.3	108.9	1.00
480.0040	3.29	17.24	9.2	29.7	37.0	-7.3	332.5	1.00
720.1020	4.08	21.24	5.5	30.8	37.0	-6.2	281.4	2.70

NOTE :

1. Measurement uncertainty is +/-2dB.
2. "": Measurement does not apply for this frequency.
3. Emission Level = Reading Value + Ant. Factor + Cable Loss.
4. The field strength of other emission frequencies were very low against the limit.



Temperature:	20 °C	Humidity:	50 %RH
Frequency Range:	30 – 1000 MHz	Measured Distance:	10m
Receiver Detector:	Q.P.	Tested Mode:	AV
Tested By:	Oscar Lu	Tested Date:	Nov. 22, 2004

Antenna Polarization: Horizontal

Frequency (MHz)	Cable Loss (dB)	Antenna Factor (dB/m)	Reading Data (dB μ V)	Emission Level (dB μ V/m)	Limit (dB μ V/m)	Margin (dB)	AZ(°)	EL(m)
72.0140	1.18	6.26	17.0	24.4	30.0	-5.6	165.2	4.00
240.0420	2.10	11.08	18.8	32.0	37.0	-5.0	41.2	4.00
269.8440	2.19	12.49	10.3	25.0	37.0	-12.0	82.5	4.00
480.0040	3.29	17.24	9.2	29.7	37.0	-7.3	333.2	2.50
720.2380	4.08	21.24	6.0	31.3	37.0	-5.7	300.0	1.70
960.0569	4.99	22.58	3.9	31.5	37.0	-5.5	100.0	1.00

Antenna Polarization: Vertical

Frequency (MHz)	Cable Loss (dB)	Antenna Factor (dB/m)	Reading Data (dB μ V)	Emission Level (dB μ V/m)	Limit (dB μ V/m)	Margin (dB)	AZ(°)	EL(m)
45.0357	0.97	7.60	12.9	21.5	30.0	-8.5	155.2	1.00
188.9931	1.90	9.34	13.0	24.2	30.0	-5.8	35.1	1.00
240.0060	2.10	11.08	14.2	27.4	37.0	-9.6	50.2	1.00
323.6810	2.78	14.58	10.0	27.4	37.0	-9.6	77.4	1.00
480.0040	3.29	17.24	8.8	29.3	37.0	-7.7	310.4	1.00
720.1020	4.08	21.24	6.1	31.4	37.0	-5.6	288.8	2.70

NOTE :

1. Measurement uncertainty is +/-2dB.
2. "**": Measurement does not apply for this frequency.
3. Emission Level = Reading Value + Ant. Factor + Cable Loss.
4. The field strength of other emission frequencies were very low against the limit.



6. PHOTOS OF TESTING

- Conducted test (VGA mode)





**Spectrum Research
& Testing Lab., Inc.**

No. 101-10, Ling 8,
Shan-Tong Li, Chung-Li
City, Taoyuan, Taiwan,
R.O.C.

TEST REPORT

Reference No.:A04102905

Report No.:FCBA04102905

Page:18 of 21

Date:Nov. 24, 2004

- Conducted test (AV mode)





- Radiated test (VGA mode)





- Radiated test (AV mode)



**Spectrum Research
& Testing Lab., Inc.**

No. 101-10, Ling 8,
Shan-Tong Li, Chung-Li
City, Taoyuan, Taiwan,
R.O.C.

TEST REPORT

Reference No.:A04102905
Report No.:FCBA04102905
Page:21 of 21
Date:Nov. 24, 2004

7. TERMS OF ABRIVATION

AV.	Average detection
AZ(°)	Turn table azimuth
Correct.	Correction
EL(m)	Antenna height (meter)
EUT	Equipment Under Test
Horiz.	Horizontal direction
LISN	Line Impedance Stabilization Network
NSA	Normalized Site Attenuation
Q.P.	Quasi-peak detection
SRT Lab	Spectrum Research & Testing Laboratory, Inc.
Vert.	Vertical direction