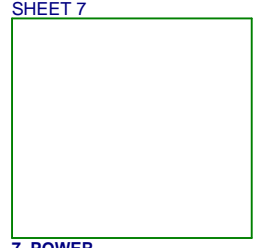
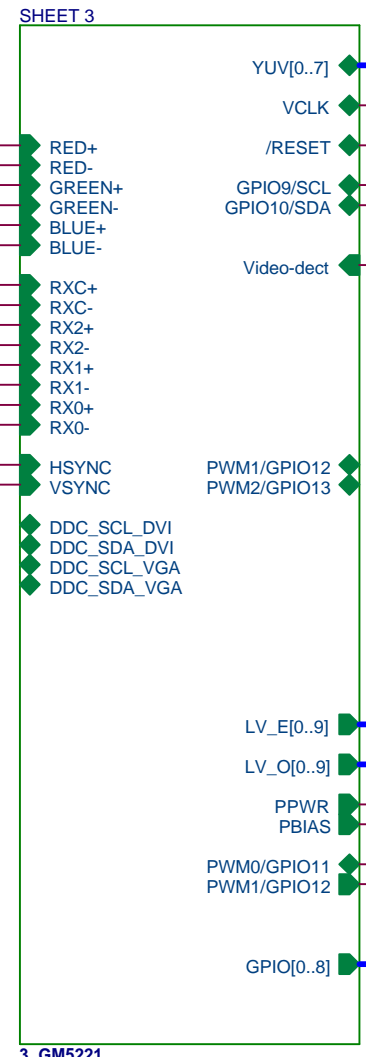


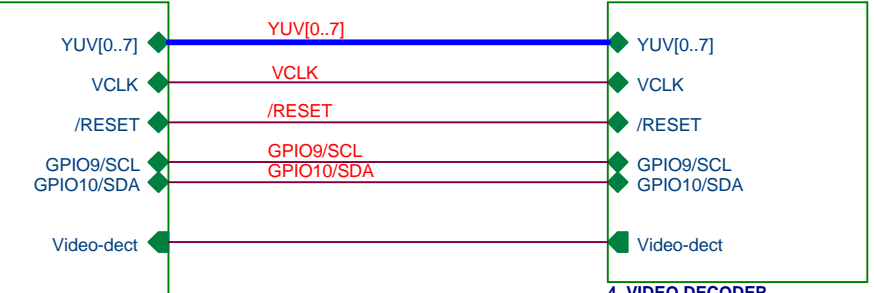
2. Analog INPUTS



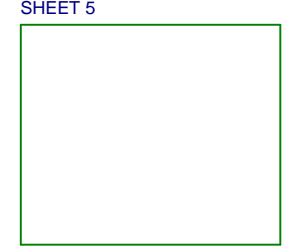
7. POWER



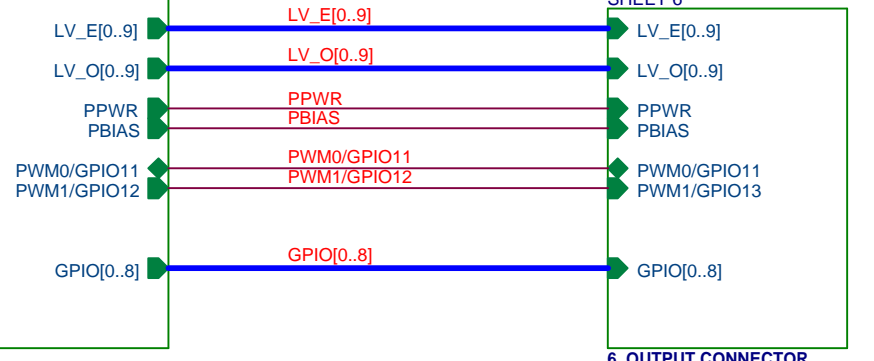
3. GM5221



4. VIDEO DECODER

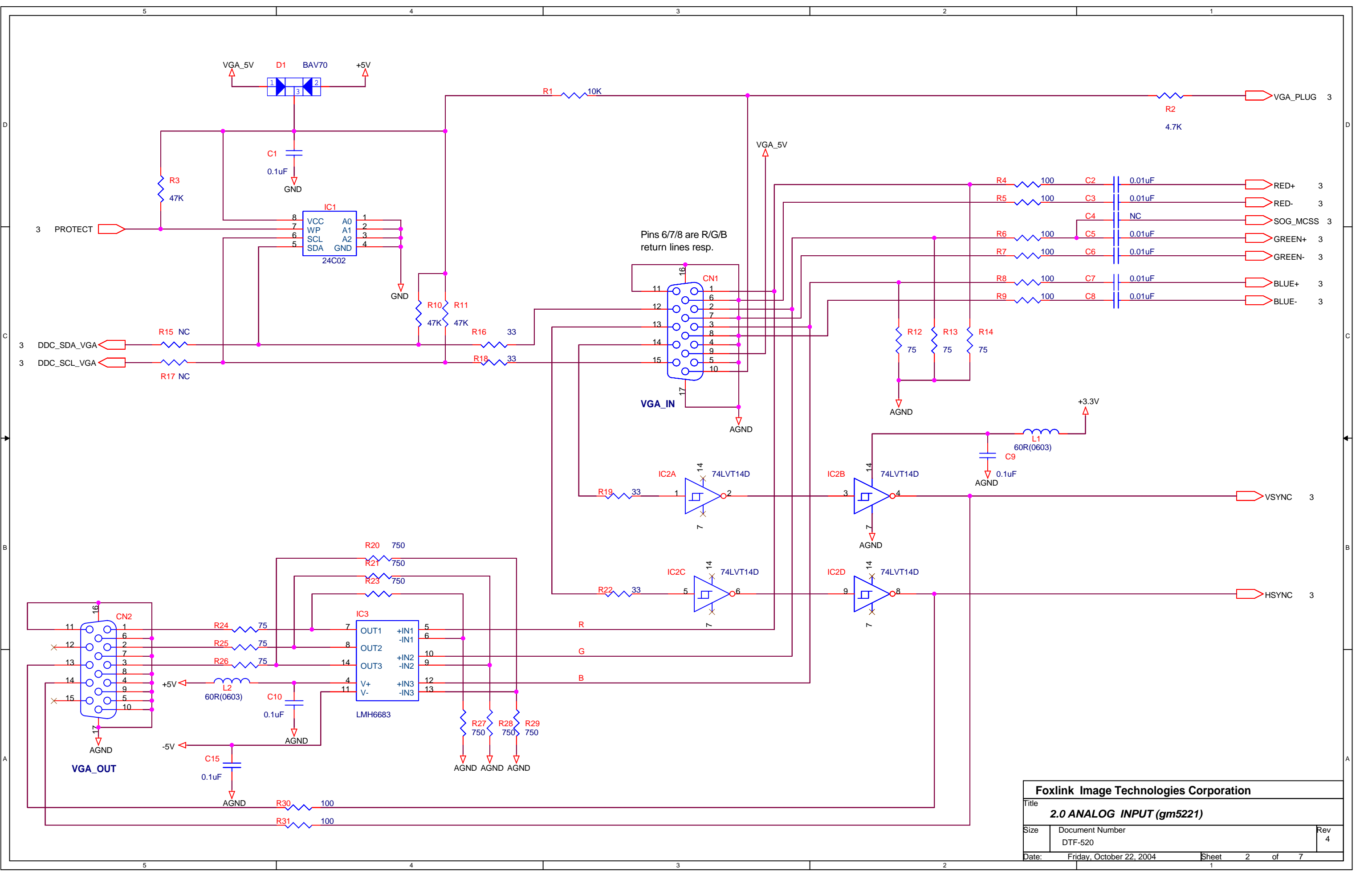


5. USB-HUB

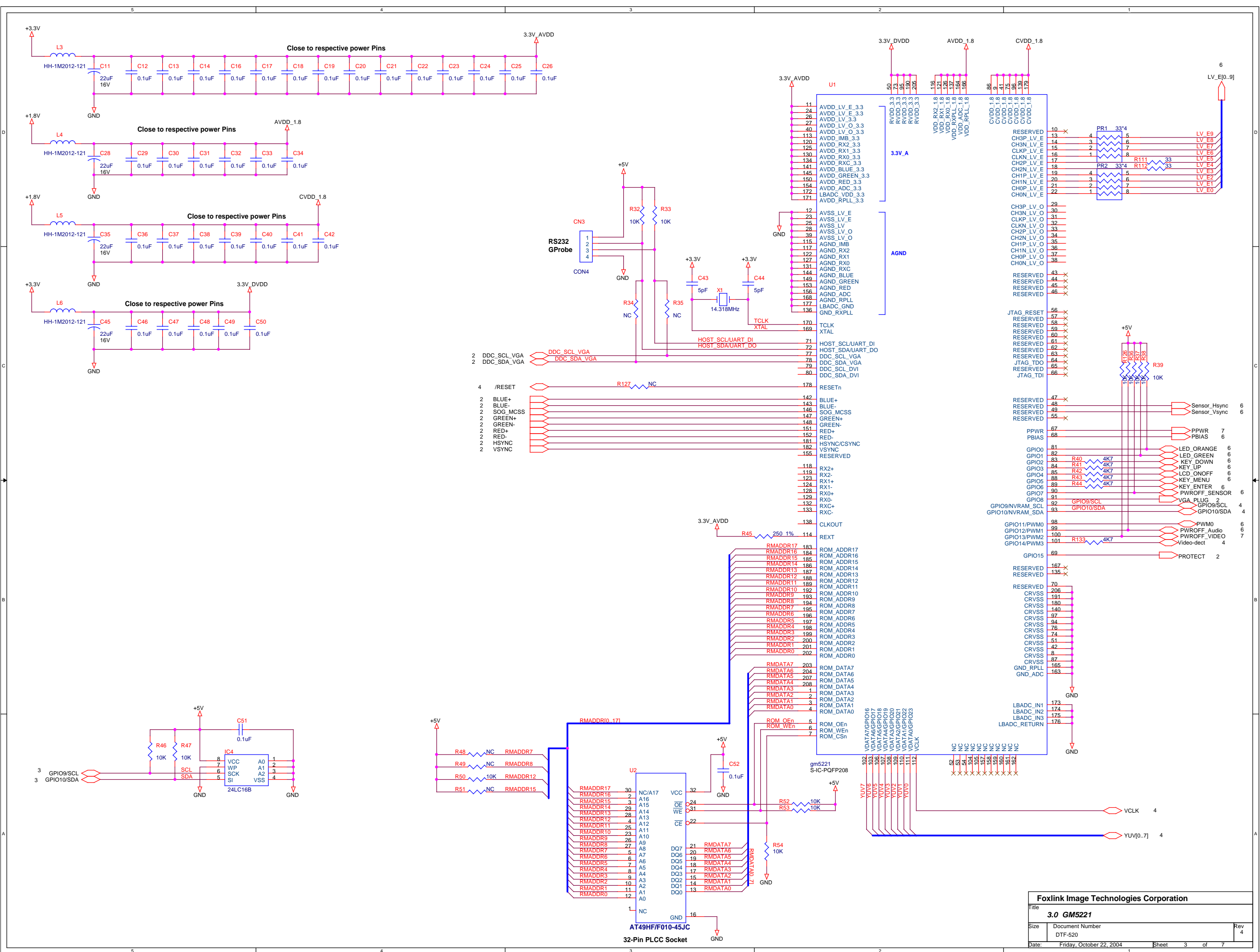


6. OUTPUT CONNECTOR

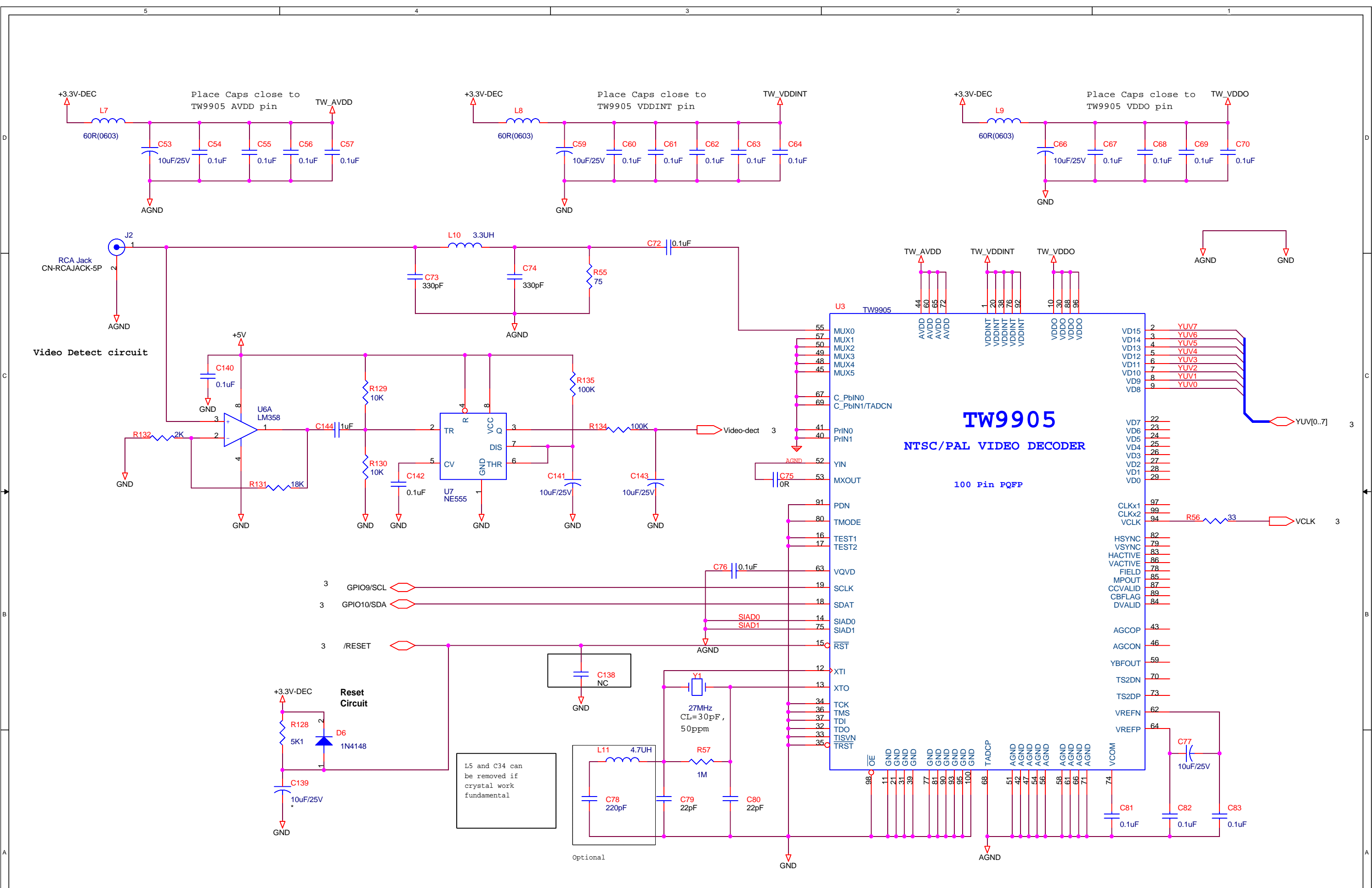
Foxlink Image Technologies Corporation		
Title 1.0 TOP LEVEL		
Size	Document Number DTF-520	Rev 4
Date:	Friday, October 22, 2004	Sheet 1 of 7



Foxlink Image Technologies Corporation		
Title 2.0 ANALOG INPUT (gm5221)		
Size	Document Number DTF-520	Rev 4
Date:	Friday, October 22, 2004	Sheet 2 of 7

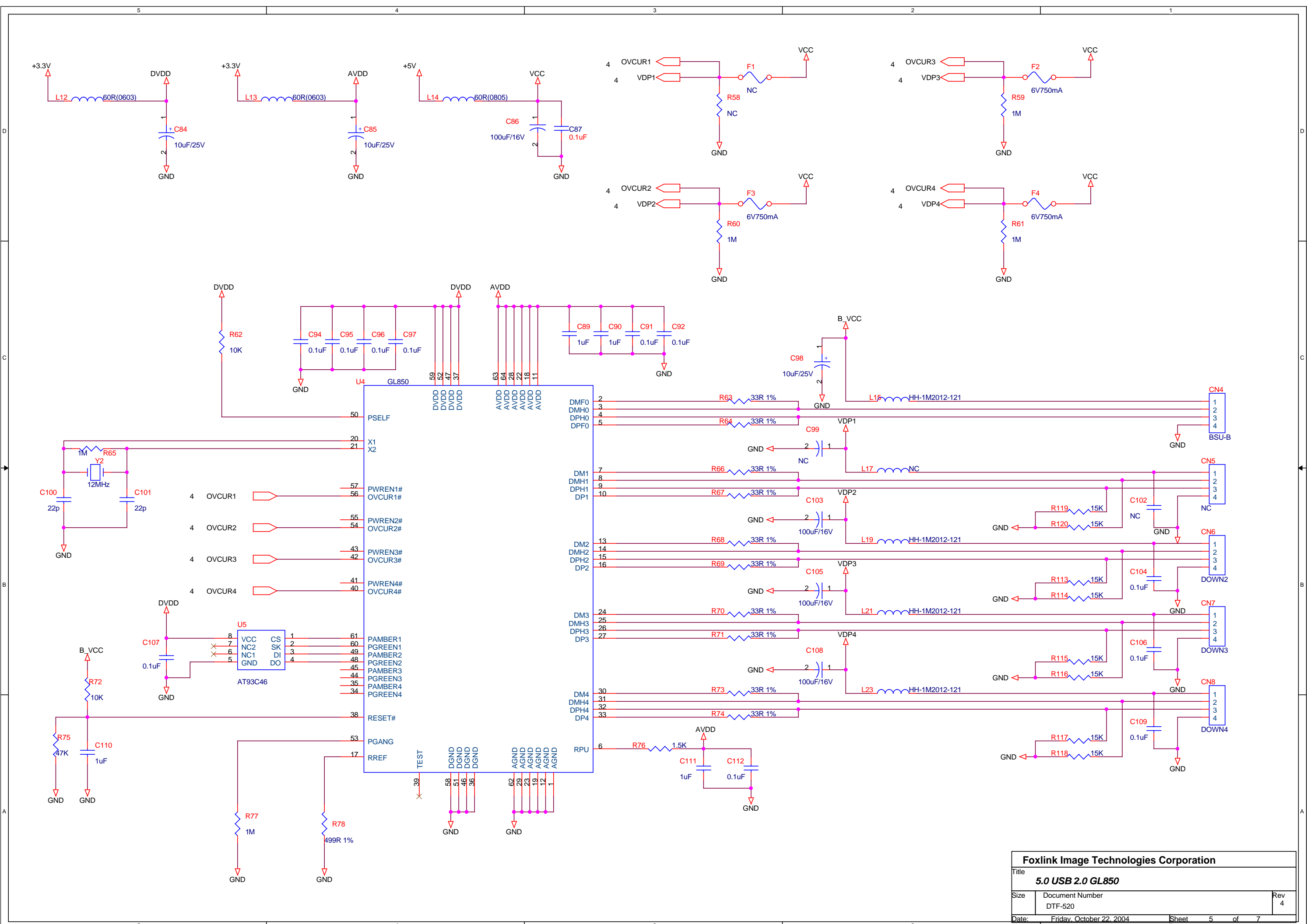


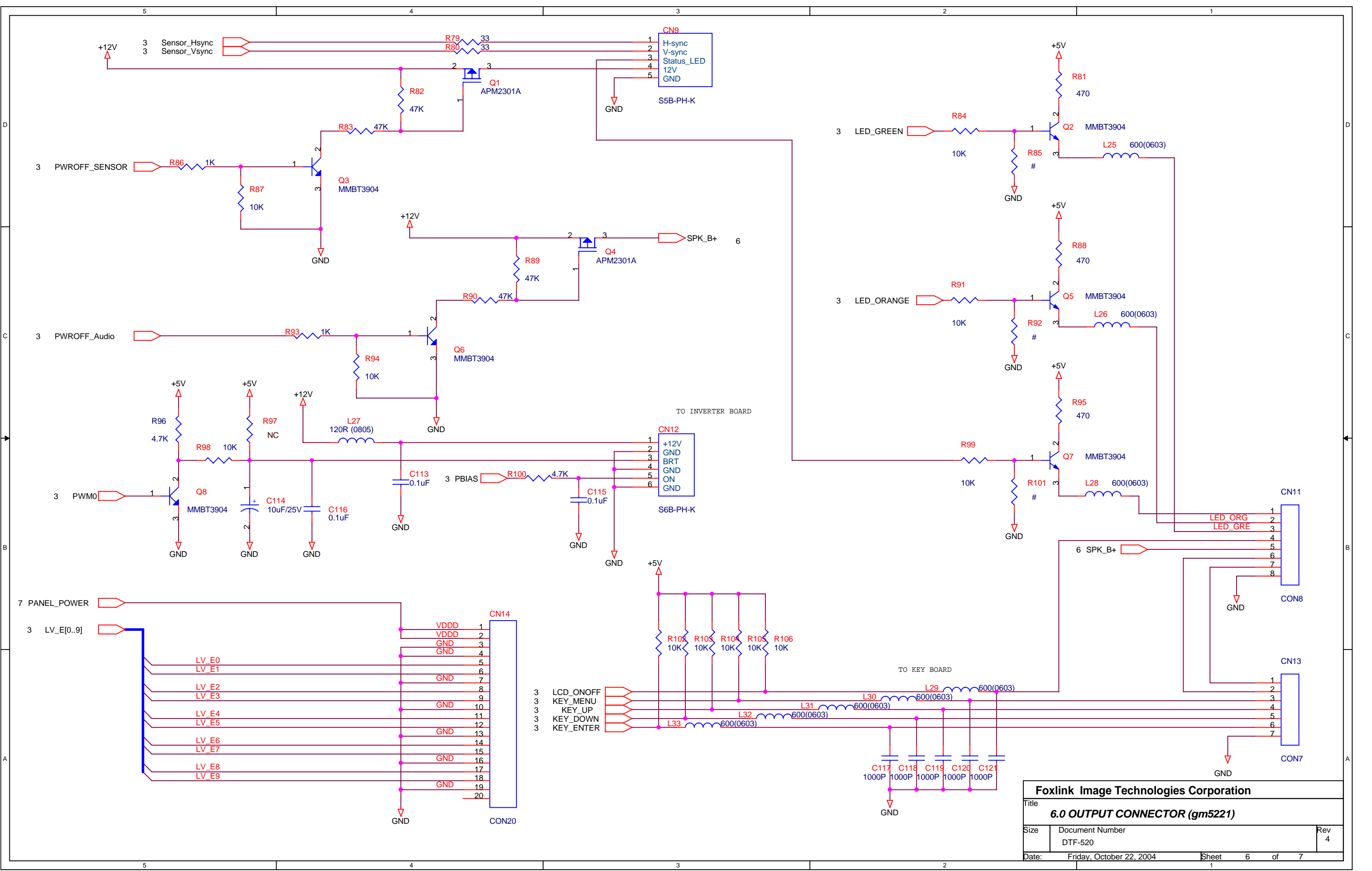
Foxlink Image Technologies Corporation		
Title 3.0 GM5221		
Size	Document Number DTF-520	Rev 4
Date	Friday, October 22, 2004	Sheet 3 of 7



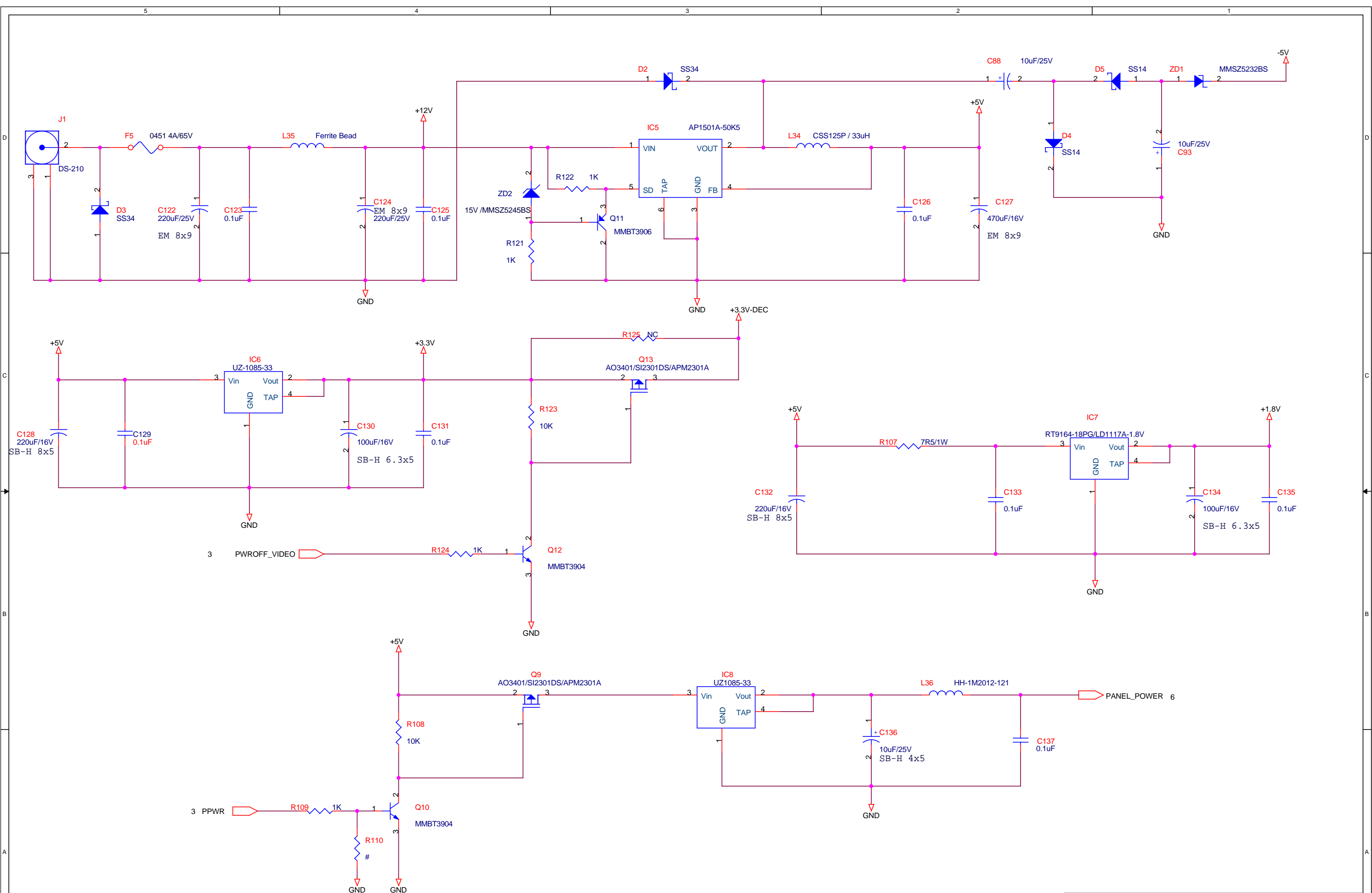
TW9905
NTSC/PAL VIDEO DECODER
 100 Pin PQFP

Foxlink Image Technologies Corporation		
Title 4.0 TW9905A		
Size	Document Number DTF-520	Rev 4
Date:	Friday, October 22, 2004	Sheet 4 of 7





Foxlink Image Technologies Corporation		
Title 6.0 OUTPUT CONNECTOR (gm5221)		
Size	Document Number DTF-520	Rev 4
Date:	Friday, October 22, 2004	Sheet 6 of 7



Foxlink Image Technologies Corporation		
Title 7.0 POWER(gm5221)		
Size	Document Number DTF-520	Rev 4
Date:	Friday, October 22, 2004	Sheet 7 of 7