

TOLERANCES					
DIMENSION	CLASS	A CLASS	B CLASS	C CLASS	D CLASS
0.5mm or more, 3mm or less		±0.05	±0.05	±0.1	±0.2
6mm or less		±0.05	±0.1	±0.1	±0.2
30mm or less		±0.1	±0.15	±0.2	±0.4
120mm or less		±0.15	±0.25	±0.3	±0.7
315mm or less		±0.2	±0.4	±0.5	±1.0
1000mm or less		±0.3	±0.7	±0.8	±1.8
A right angle bends		±0.5°	±1°	±1°	±2°
Others bend		±1°	±1.5°	±1.5°	±3°

SYMBOL	REVISION	DATE
△	Revise some dimension and tolerance	2023.07.10
△	Add line on FPC, optimized tolerance and warpage spec	2023.09.21
*		YYYY.MM.DD
*		YYYY.MM.DD

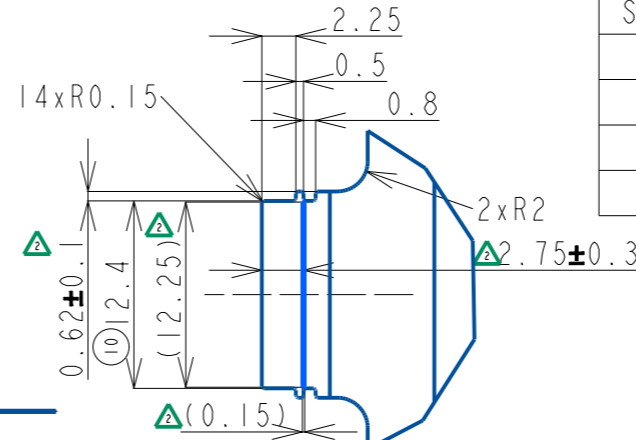
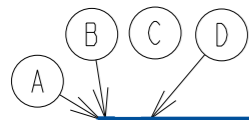
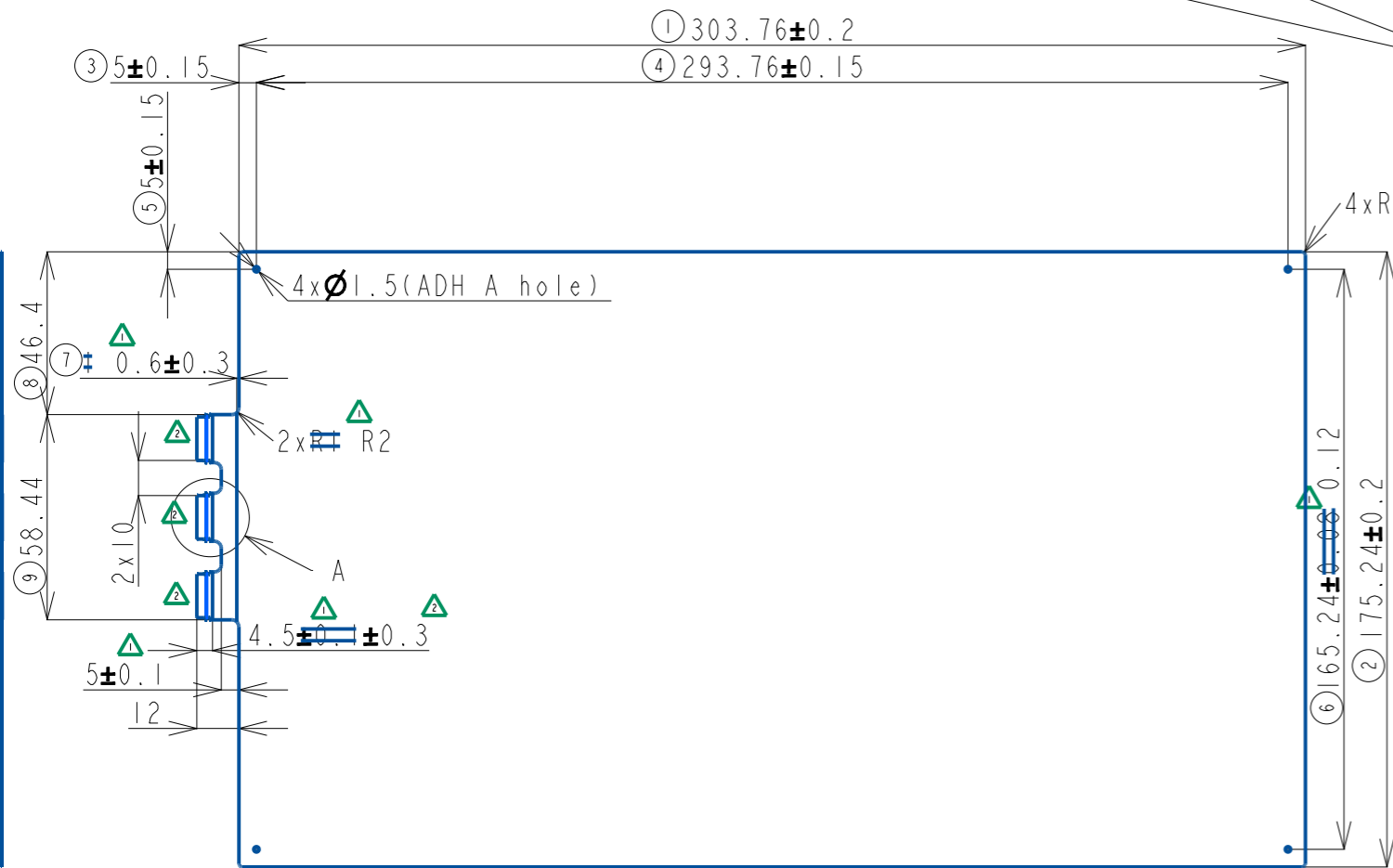


Table 1: Layer structure

A area	Thickness (um)			Layer name
	B area	C area	D area	
/	/	/	50	ADH A
/	12.5	12.5	12.5	polyimide of coverlay
3 (gold plate)	25	25	25	adhesive of coverlay
10	10	10	10	plating copper
12	12	12	12	copper
25 (ADH)	25	25	25	base film
125 (stiffener)	25	/	12	copper
/	125	/	10	plating copper
/	/	/	25	ADH B
/	/	/	12.5	PI
/	/	/	5	primer
/	/	/	60	MMP
/	/	/	20	AL
/	/	/	31	PI PROTECTIVE FILM
200±30	234.5	84.5	310±50	TOTAL

EVT DVT PVT only



- Can't use environmentally hazardous substances based on Wacom's request.
- Layer structure is refer to table
- Another dimensions in this drawing, must measured N=5 or more in EVT/ DVT/ PVT stage.
- ⑩ dimension need to measure each 3 portion.
- ①~⑩ are important dimensions, must be mesured N=5 or more at OOC and at the beginning of the shift time. In EVT/ DVT/ PVT stage, should confirm Cpk data by 35pcs or more samples.
- About tolerances without instructions, refer to the attached table.

*	*	*	*	*	*
*	*	*	*	*	*
*	*	*	*	*	*
*	*	*	*	*	*
*	*	*	*	*	*
NO.	ITEM NO.	PART NO.	COLOR NO.	INSTRUCTIONS DRAWING	NOTE

MATERIAL	FINISH	UNIT	TITLE	PROJECTION		
Refer to layer structure tabel	N/A	mm	OLIVE_EMR_SENSOR_ASSY			
*	*		PART NO. SEN-A558-b			
APPROVAL	CHECK	DESIGN	DRAW	SCALE	DRAWING NO.	PAGE
13.Apr.2023 Y.Sugiyama	13.Apr.2023 K.Dobashi	13.Apr.2023 Ma Yue	13.Apr.2023 M.Maeda	1/2	X4K-312A558-b	1/1