

# DTF-720

## gmZAN3SL-LF LCD CONTROLLER BOARD SCHEMATICS

### CONTENTS

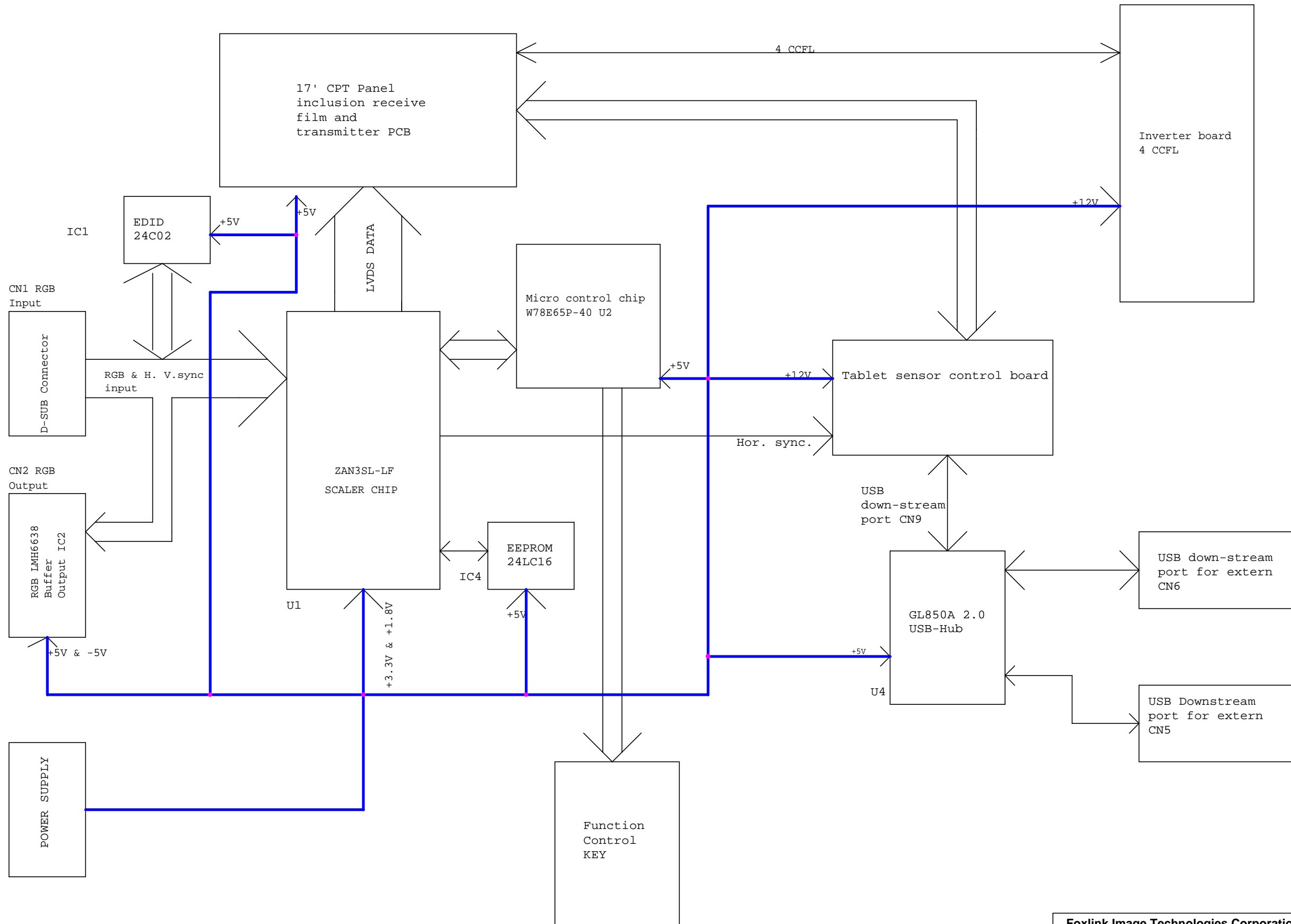
SCHEMATIC	SHEET
CONTENTS	<b>1</b>
Top Level	<b>2</b>
ANALOG INPUT	<b>3</b>
gmZAN3SL-LF	<b>4</b>
USB-Hub	<b>5</b>
OUTPUT CONNECTOR	<b>6</b>
POWER	<b>7</b>

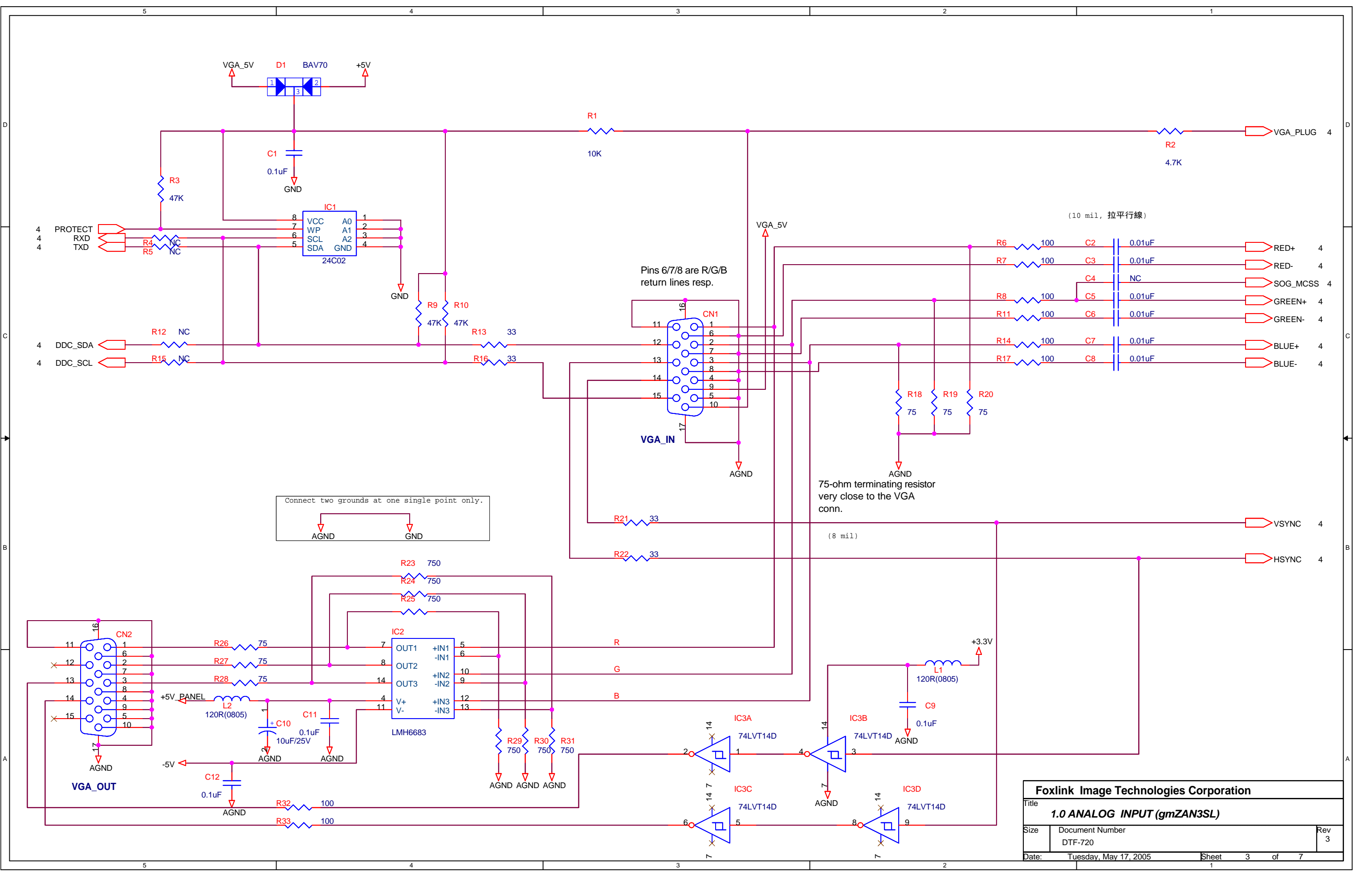
### REVISION HISTORY

Date	Author	Ver	Comments
MAR.03'05		1	Engineering sample
APR.02'05		2	Engineering sample+USB Hub
MAY.17'05		3	EVT RUN ( Power switch change to push lock switch)

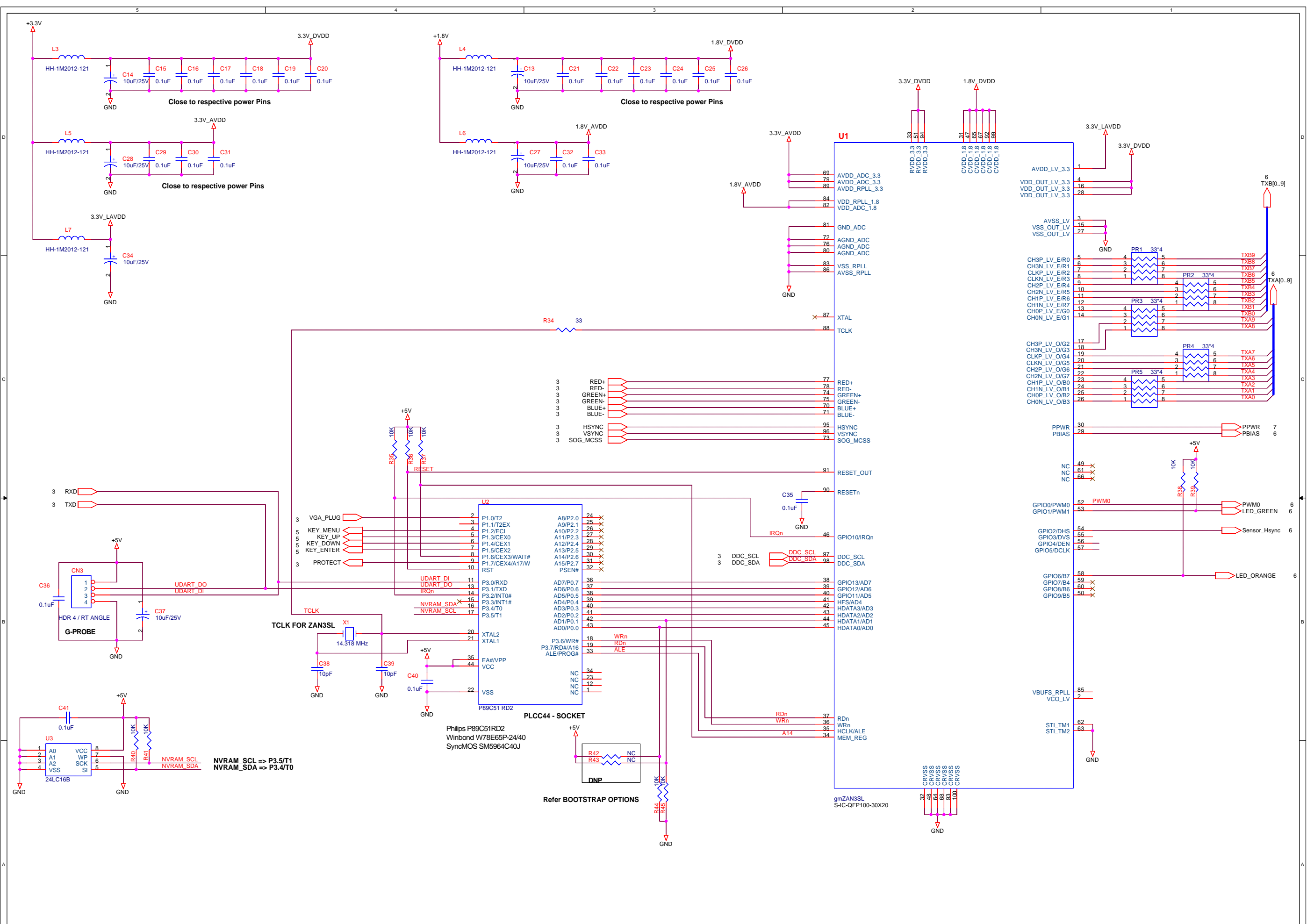
Approval	Organization	Signature	Date
Gary Yu		Peter Lin	MAR.03'05
Gary Yu		Peter Lin	APR.02'05
Gary Yu		Peter Lin	MAY.17'05

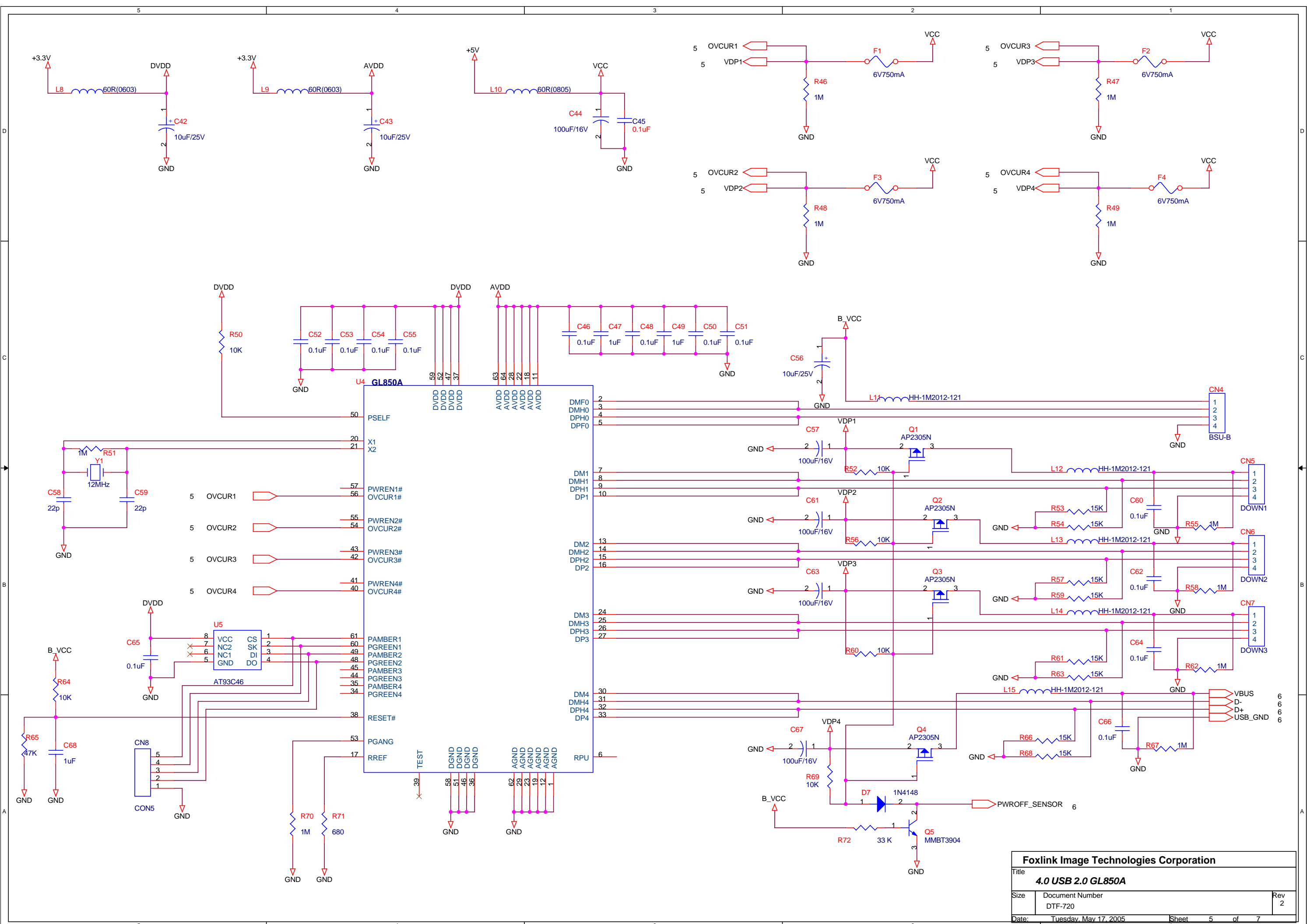
<b>Foxlink Image Technologies Corporation</b>		
Title <b>1.0 CONTENTS</b>		
Size	Document Number DTF-720	Rev 3
Date:	Tuesday, May 17, 2005	Sheet 1 of 7

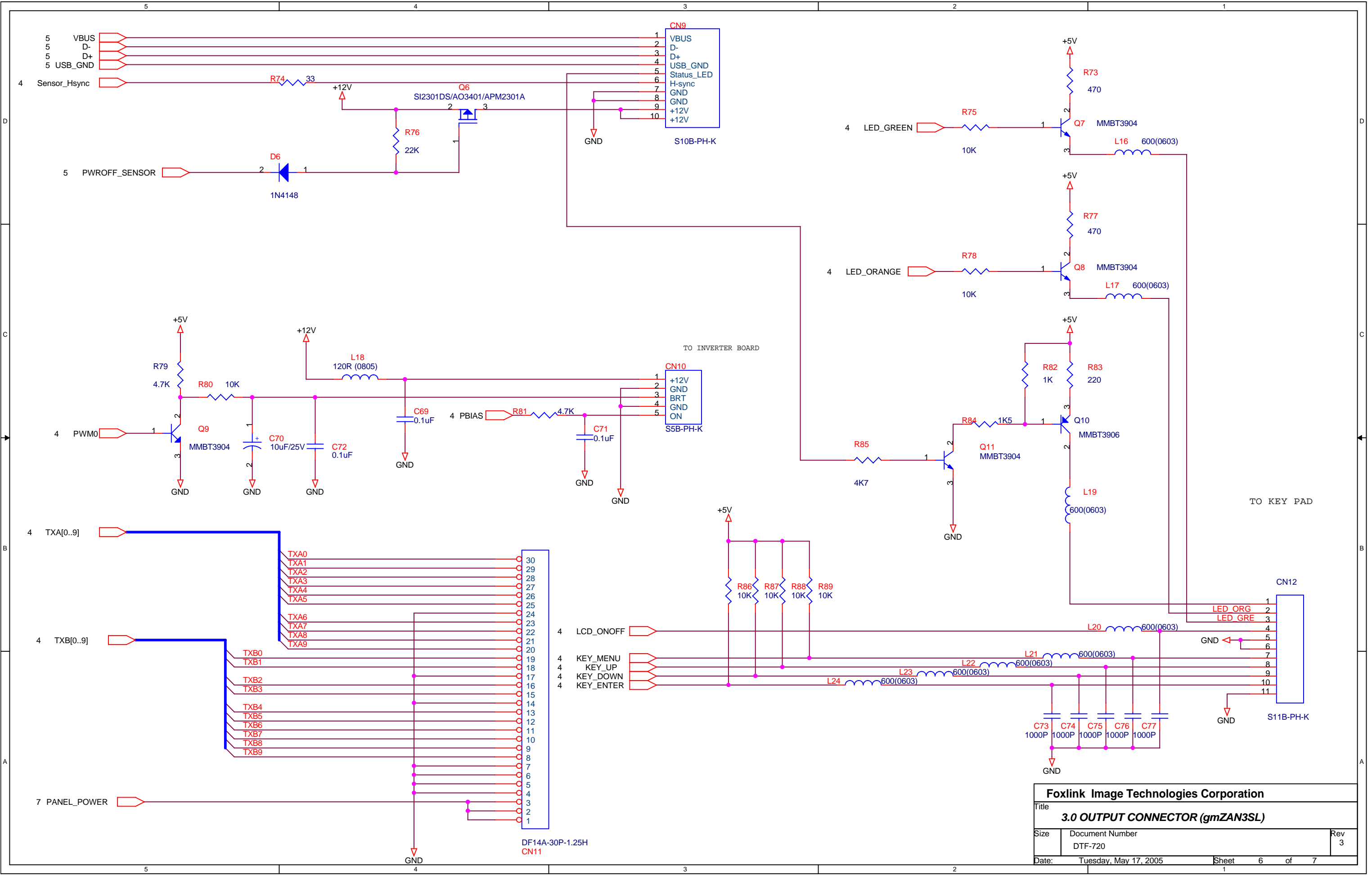




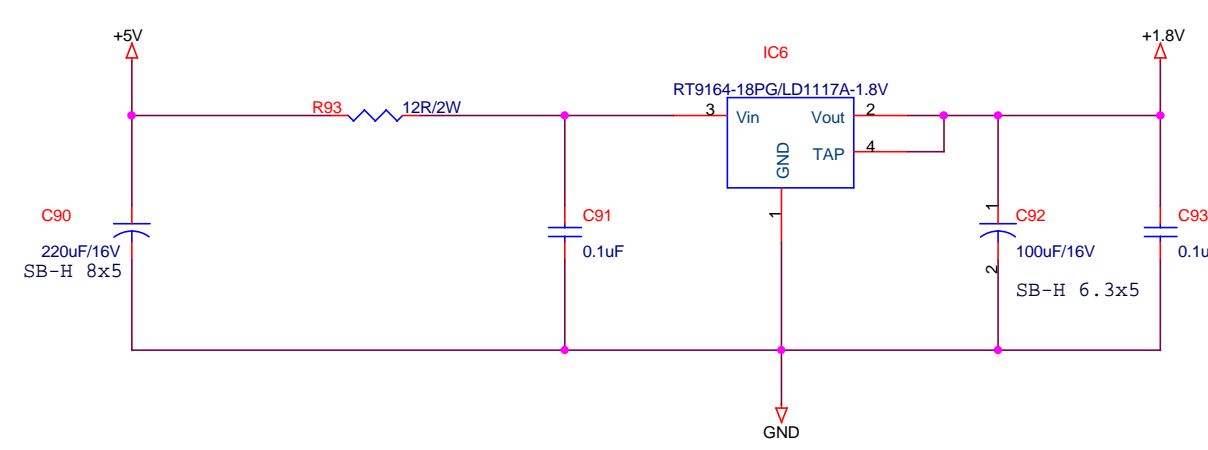
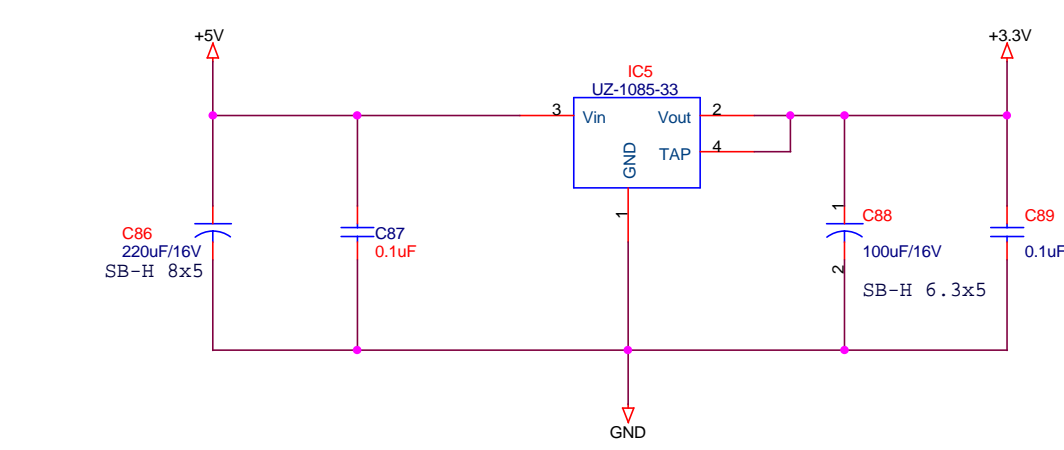
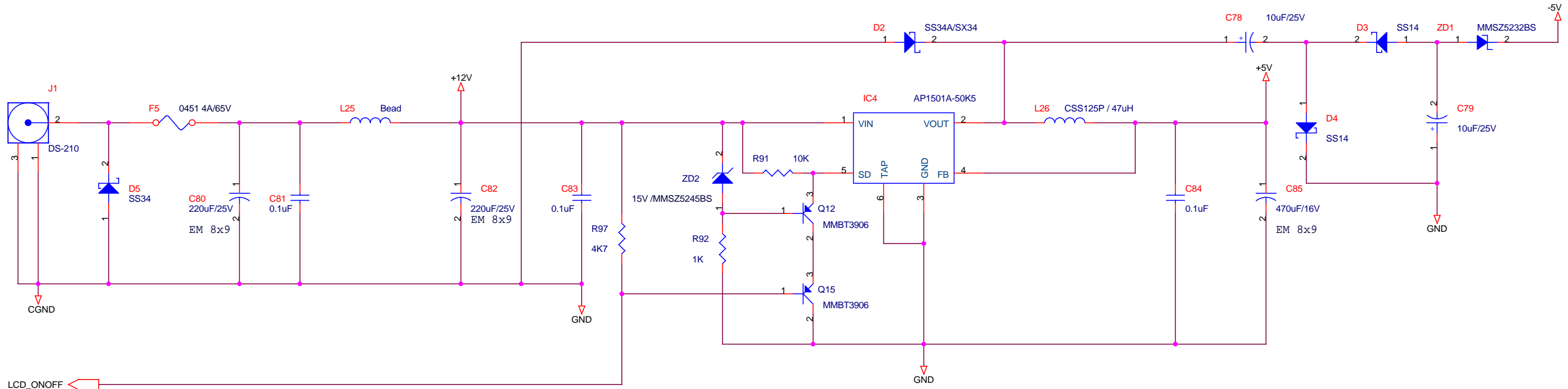
Foxlink Image Technologies Corporation		
Title <b>1.0 ANALOG INPUT (gmZAN3SL)</b>		
Size	Document Number DTF-720	Rev 3
Date:	Tuesday, May 17, 2005	Sheet 3 of 7







<b>Foxlink Image Technologies Corporation</b>		
Title <b>3.0 OUTPUT CONNECTOR (gmZAN3SL)</b>		
Size	Document Number DTF-720	Rev 3
Date:	Tuesday, May 17, 2005	Sheet 6 of 7



Foxlink Image Technologies Corporation		
Title 5.0 POWER(gmZAN3SL)		
Size	Document Number DTF-720	Rev 3
Date:	Tuesday, May 17, 2005	Sheet 7 of 7