

# DTF-720

## gmZAN3SL-LF LCD CONTROLLER BOARD SCHEMATICS

### CONTENTS

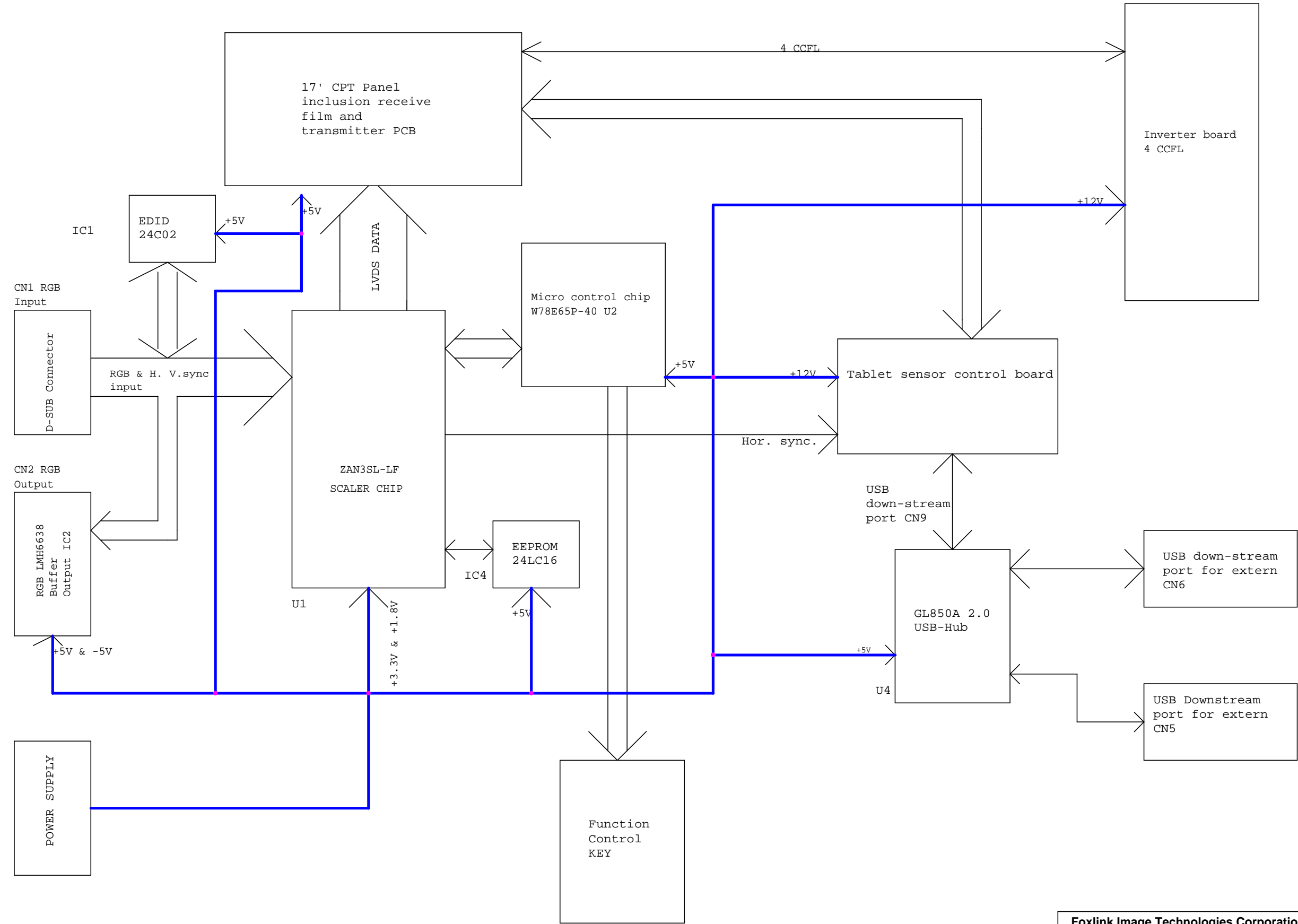
SCHEMATIC	SHEET
CONTENTS	<b>1</b>
Top Level	<b>2</b>
ANALOG INPUT	<b>3</b>
gmZAN3SL-LF	<b>4</b>
USB-Hub	<b>5</b>
OUTPUT CONNECTOR	<b>6</b>
POWER	<b>7</b>

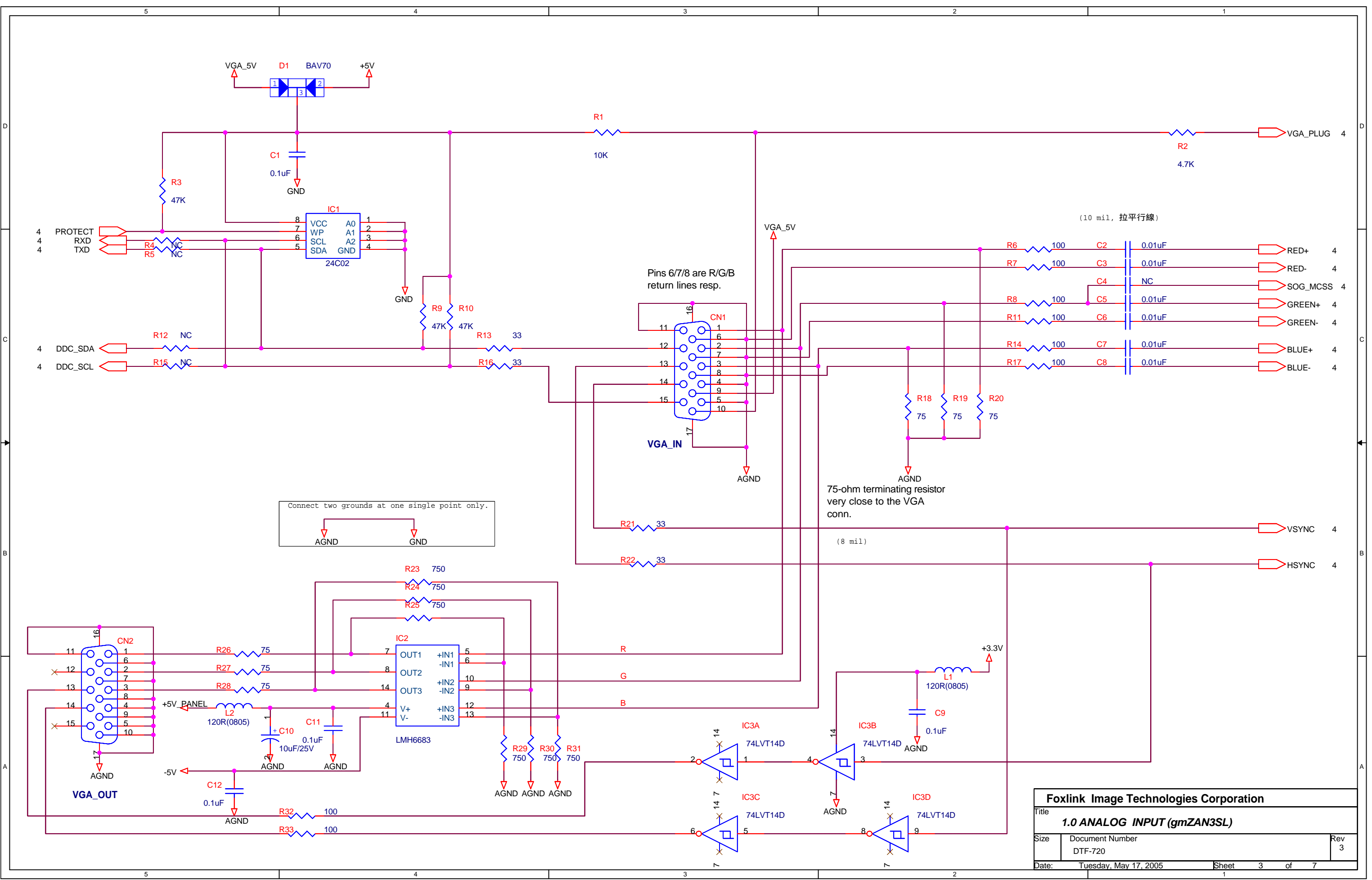
### REVISION HISTORY

Date	Author	Ver	Comments
MAR.03'05		1	Engineering sample
APR.02'05		2	Engineering sample+USB Hub
MAY.17'05		3	EVT RUN ( Power switch change to push lock switch)

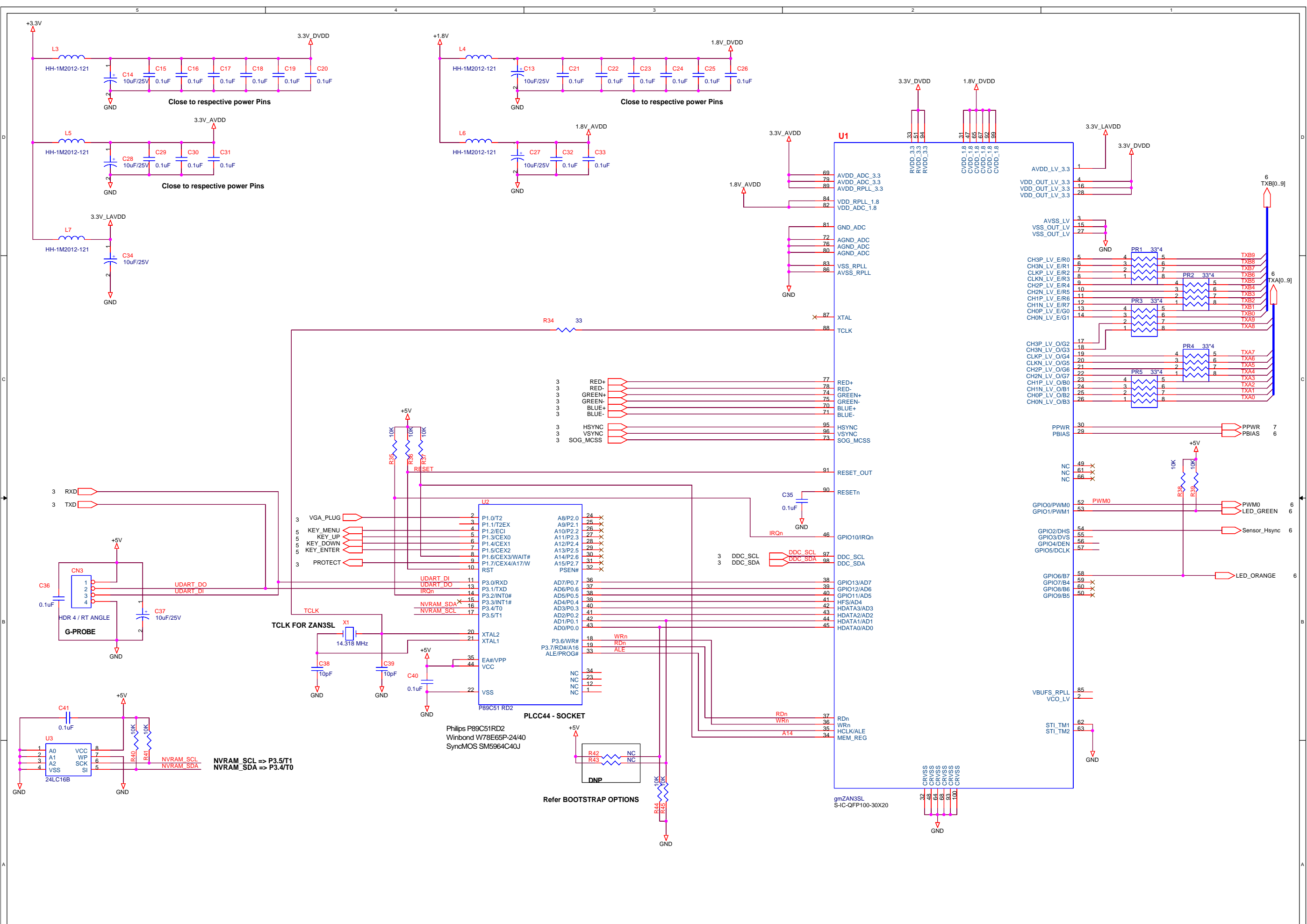
Approval	Organization	Signature	Date
Gary Yu		Peter Lin	MAR.03'05
Gary Yu		Peter Lin	APR.02'05
Gary Yu		Peter Lin	MAY.17'05

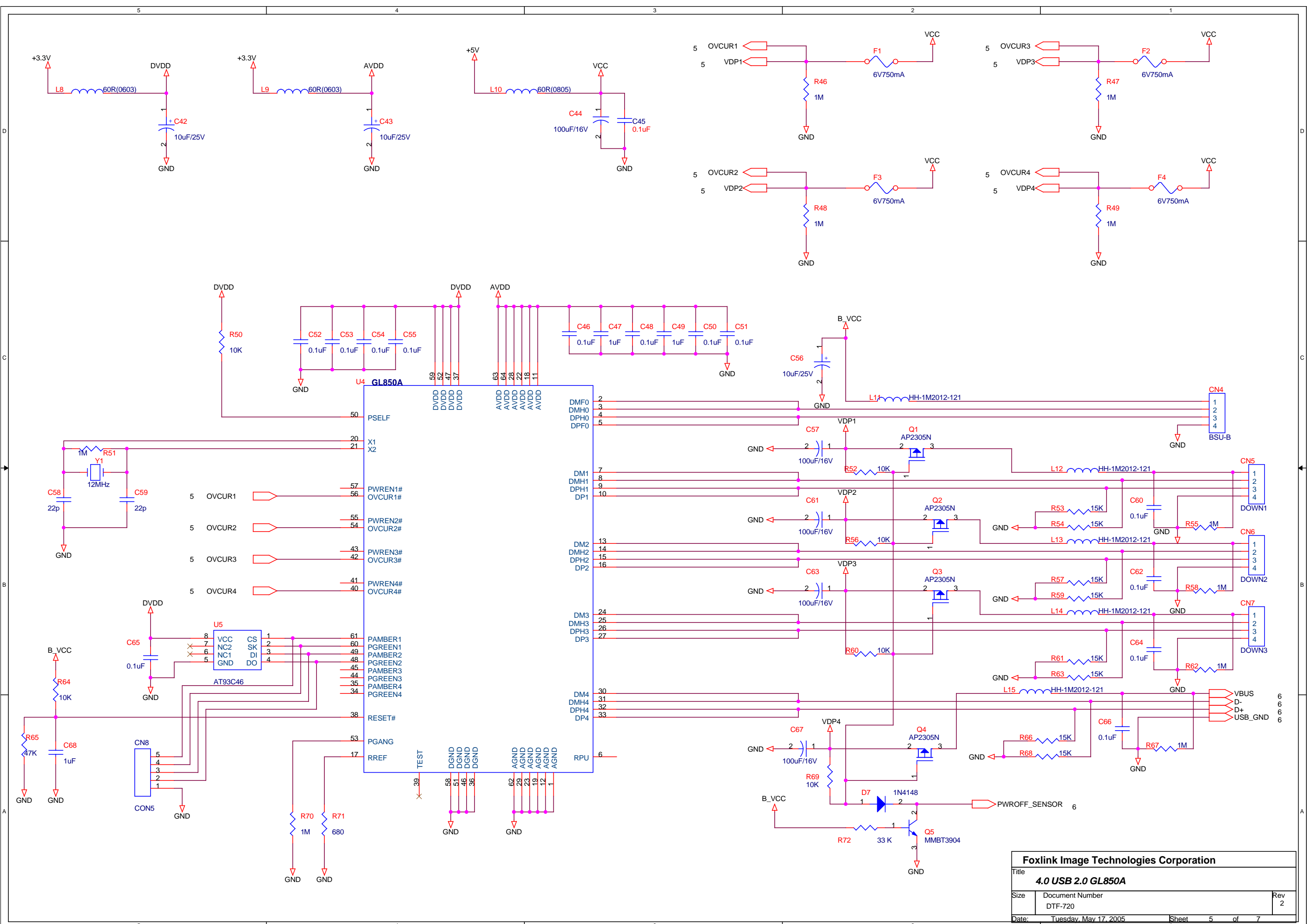
<b>Foxlink Image Technologies Corporation</b>		
Title <b>1.0 CONTENTS</b>		
Size	Document Number DTF-720	Rev 3
Date:	Tuesday, May 17, 2005	Sheet 1 of 7



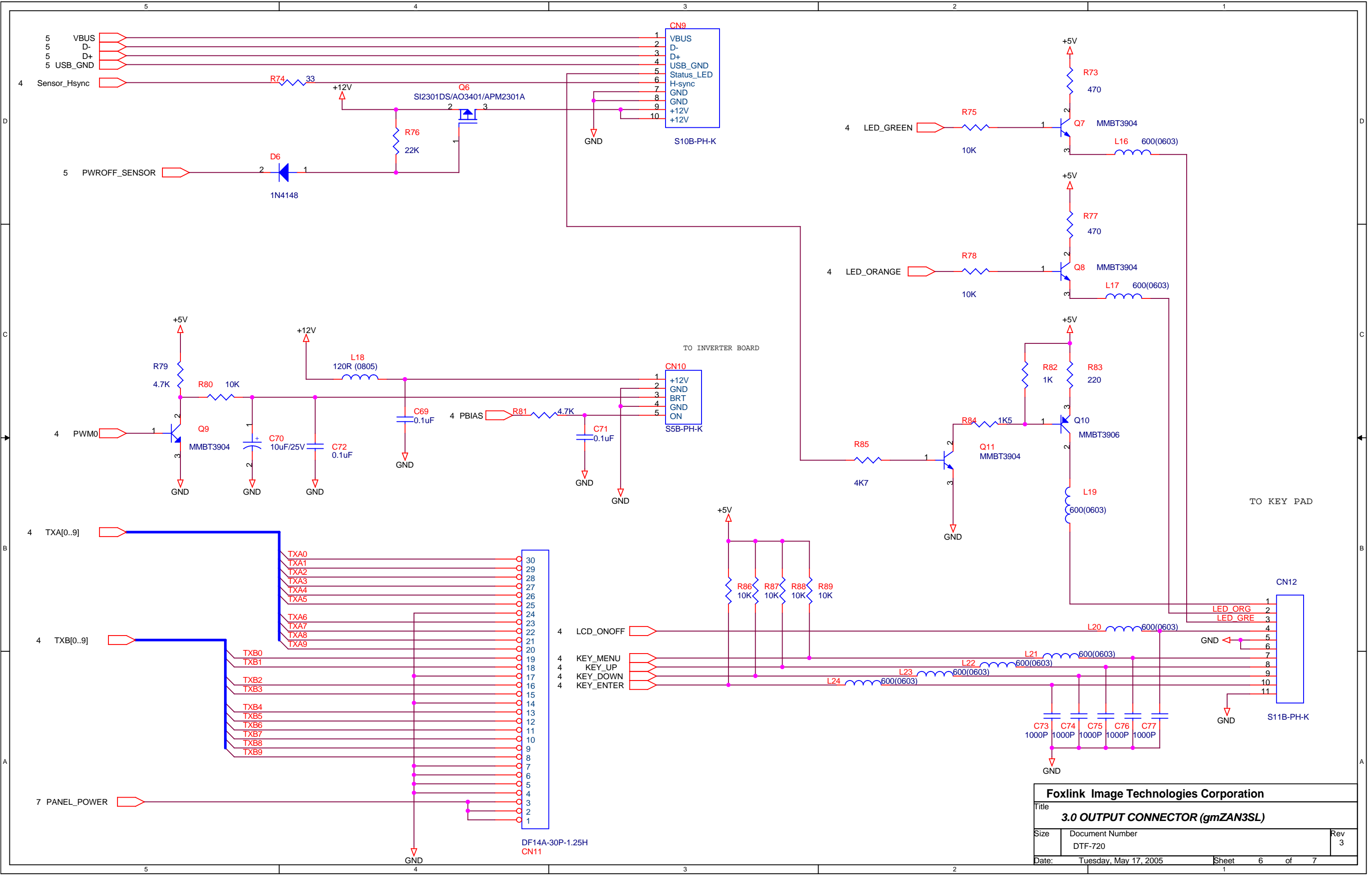


Foxlink Image Technologies Corporation		
Title <b>1.0 ANALOG INPUT (gmZAN3SL)</b>		
Size	Document Number DTF-720	Rev 3
Date:	Tuesday, May 17, 2005	Sheet 3 of 7

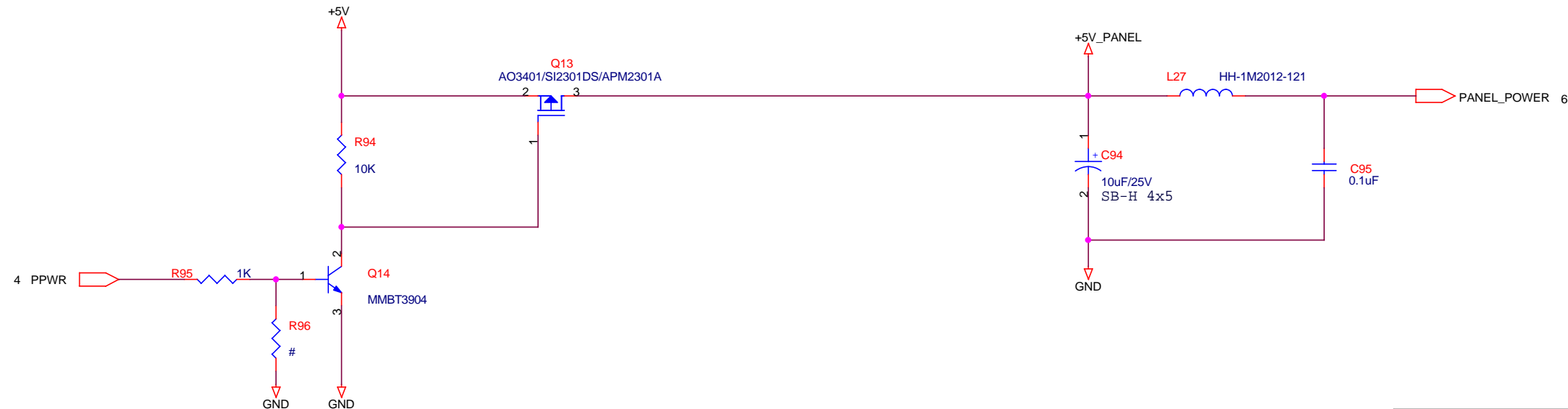
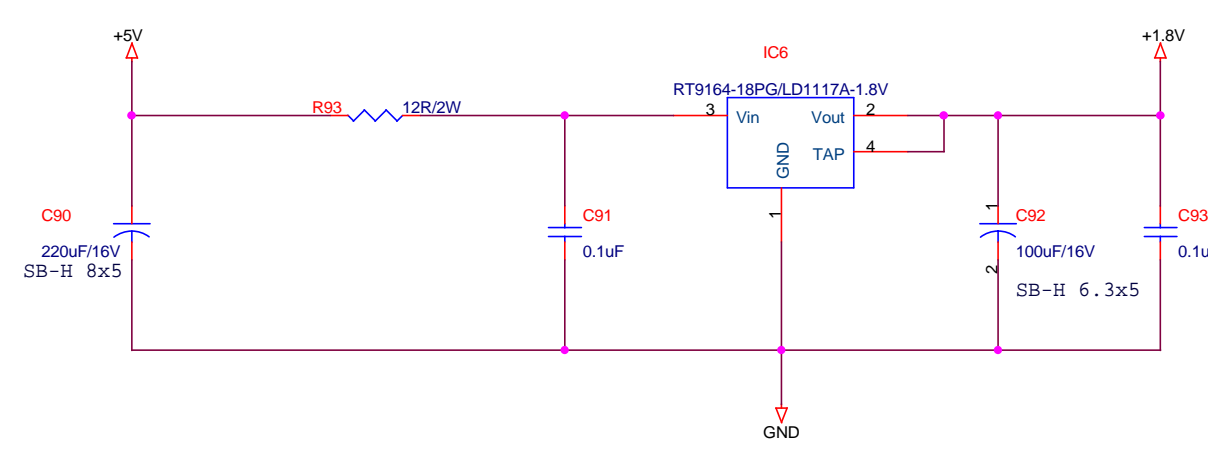
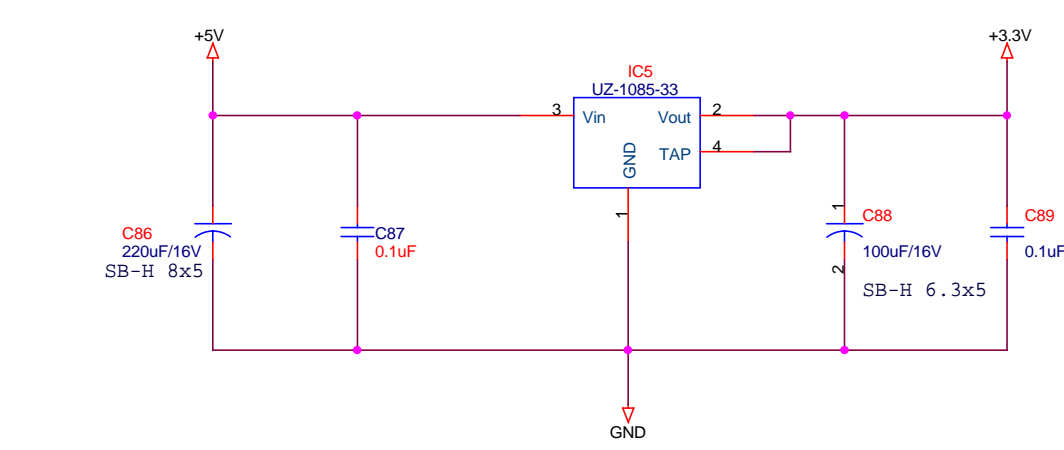
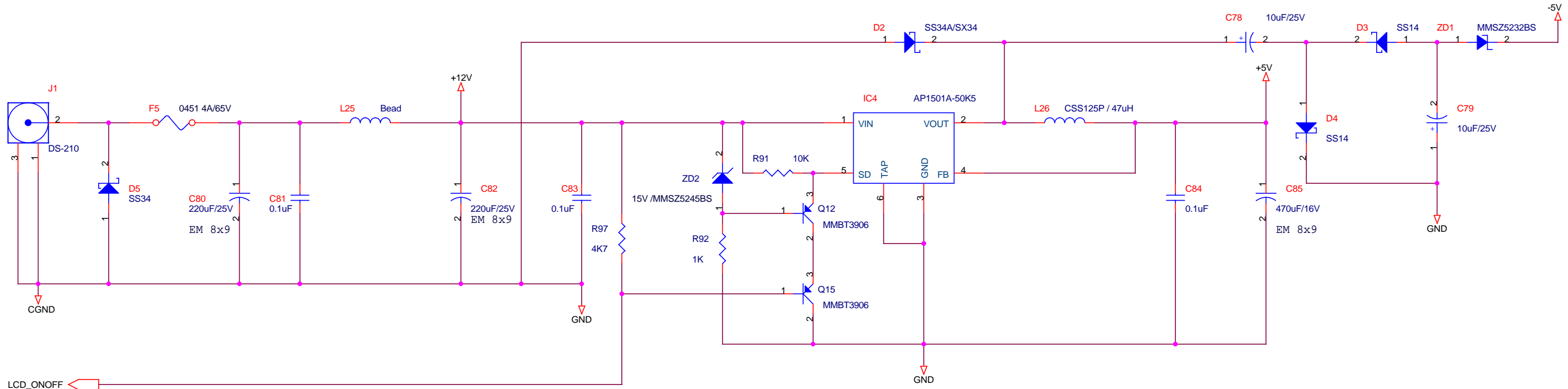




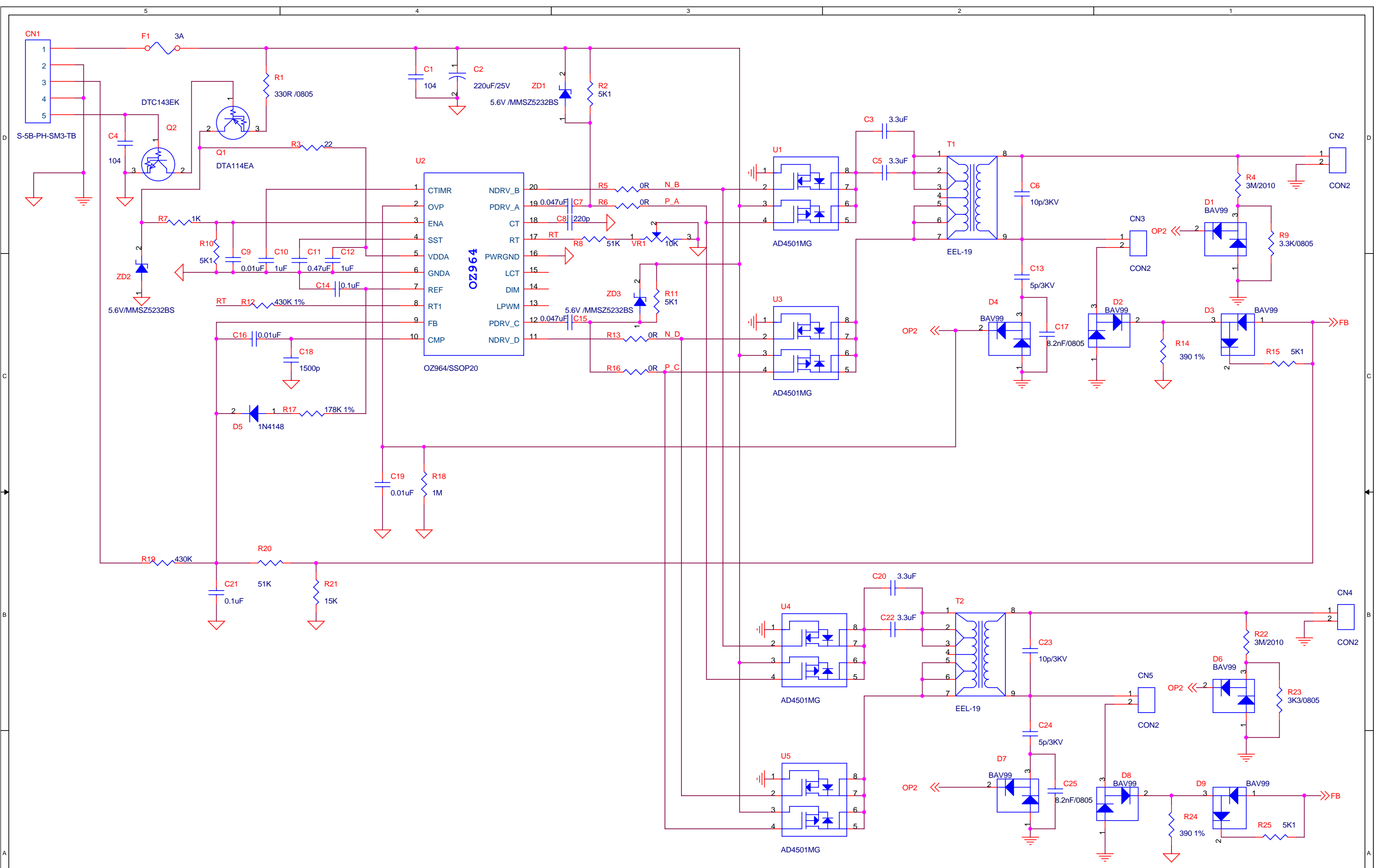
<b>Foxlink Image Technologies Corporation</b>		
Title <b>4.0 USB 2.0 GL850A</b>		
Size	Document Number DTF-720	Rev 2
Date:	Tuesday, May 17, 2005	Sheet 5 of 7



<b>Foxlink Image Technologies Corporation</b>		
Title <b>3.0 OUTPUT CONNECTOR (gmZAN3SL)</b>		
Size	Document Number DTF-720	Rev 3
Date:	Tuesday, May 17, 2005	Sheet 6 of 7

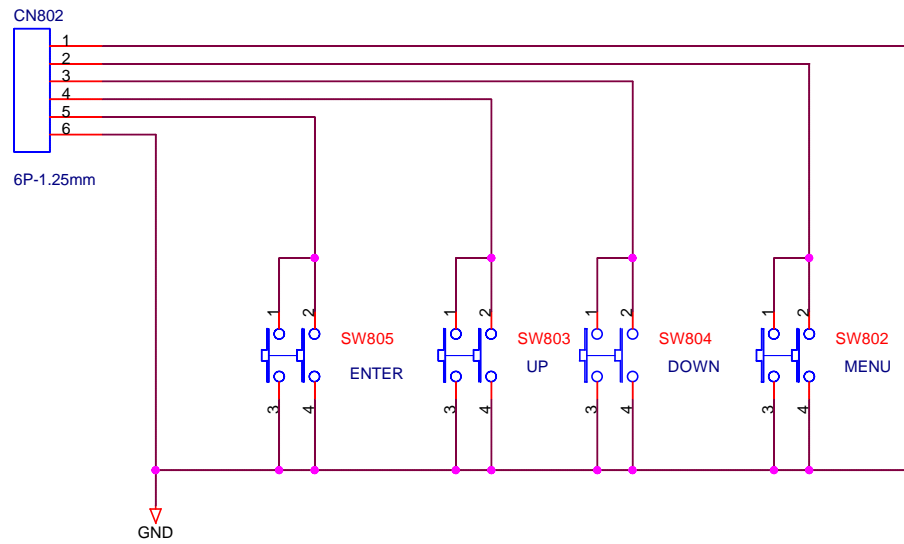


Foxlink Image Technologies Corporation		
Title 5.0 POWER(gmZAN3SL)		
Size	Document Number DTF-720	Rev 3
Date:	Tuesday, May 17, 2005	Sheet 7 of 7

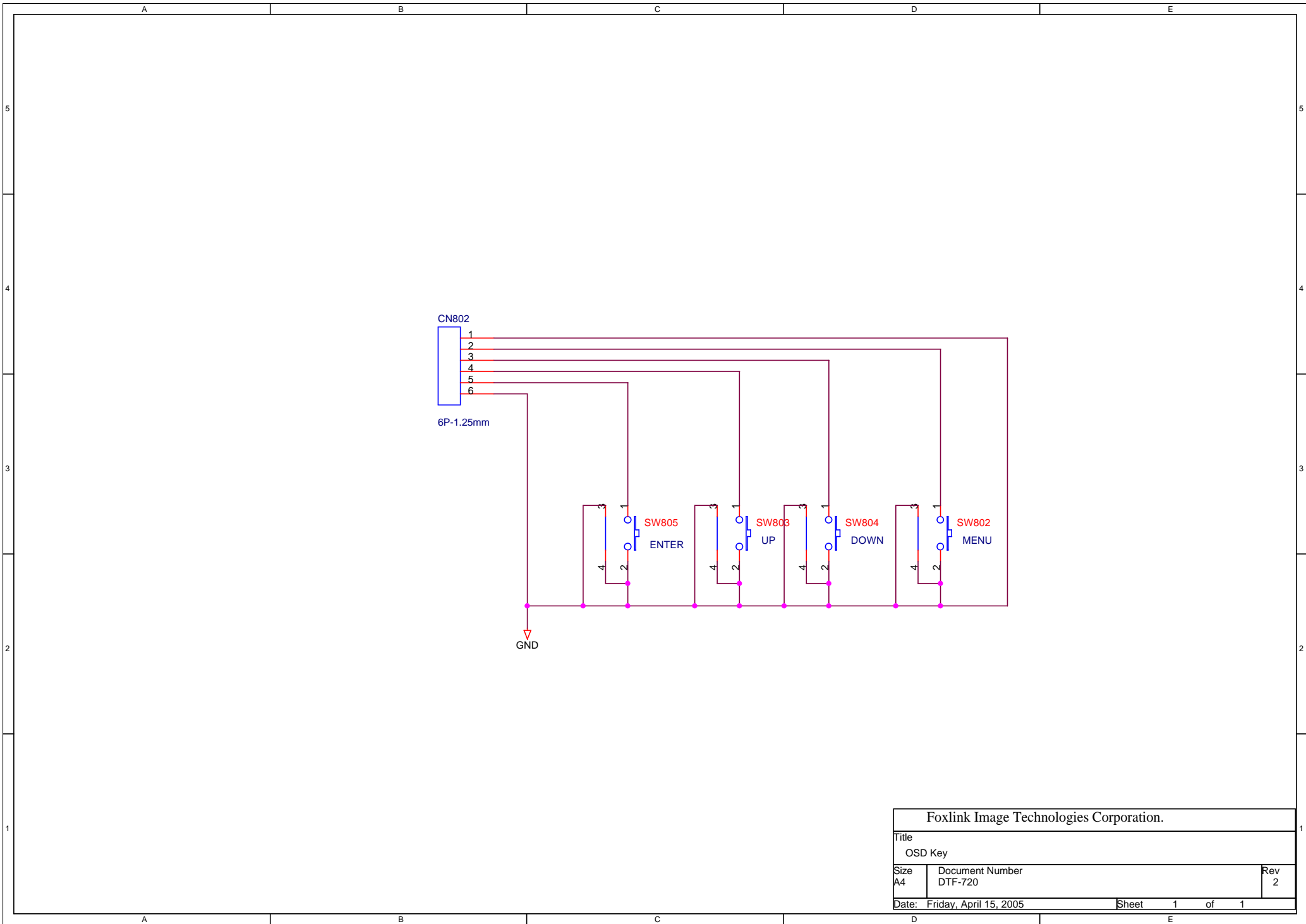


Foxlink Image Technologies Corporation		
Title <b>4 Lamps Inverter(OZ964)-CPT</b>		
Size	Document Number DTF-720	Rev 1
Date:	Tuesday, July 12, 2005	Sheet 1 of 1

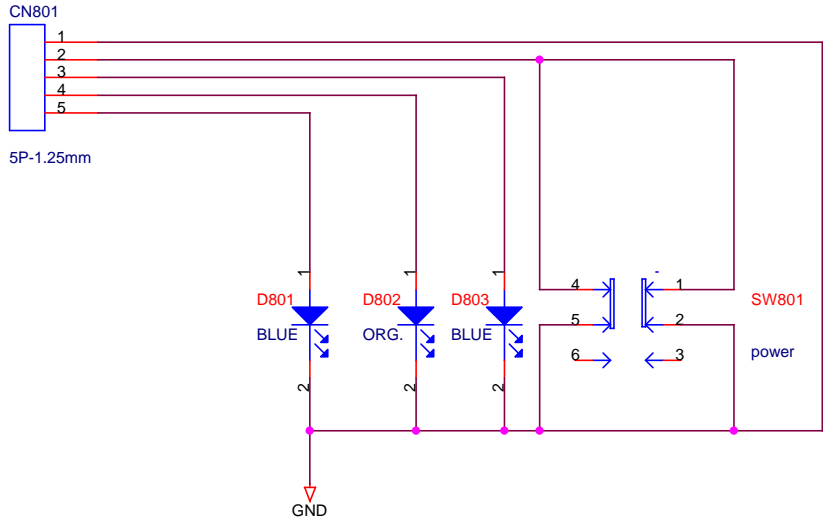




Foxlink Image Technologies Corporation.		
Title OSD Key-Front		
Size A4	Document Number DTF-720	Rev 2
Date: Friday, April 15, 2005	Sheet	1 of 1

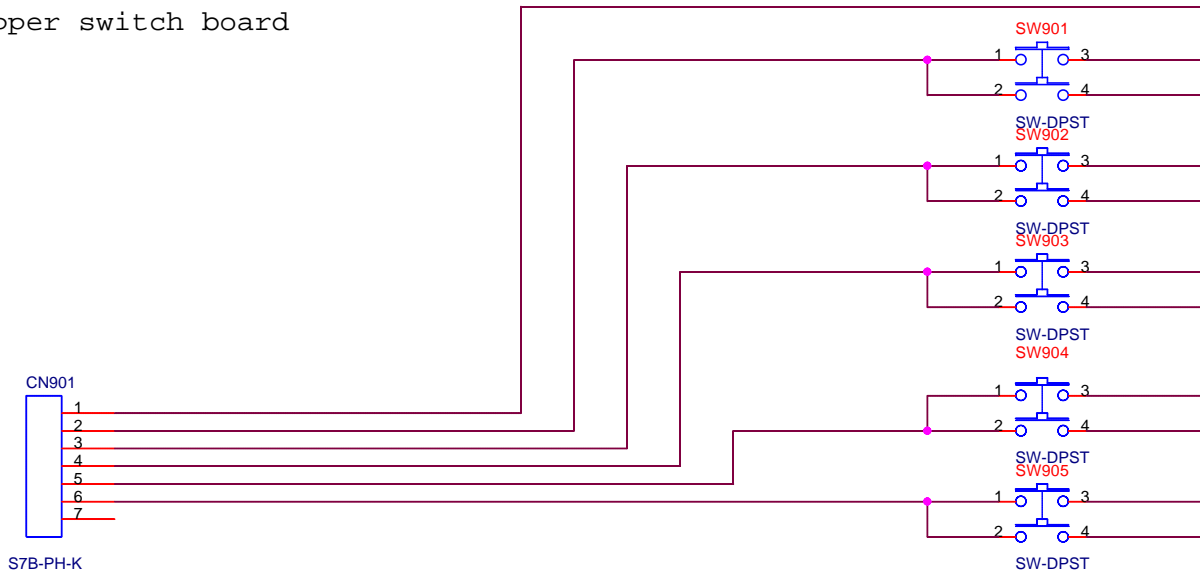


Foxlink Image Technologies Corporation.		
Title OSD Key		
Size A4	Document Number DTF-720	Rev 2
Date: Friday, April 15, 2005	Sheet 1 of 1	



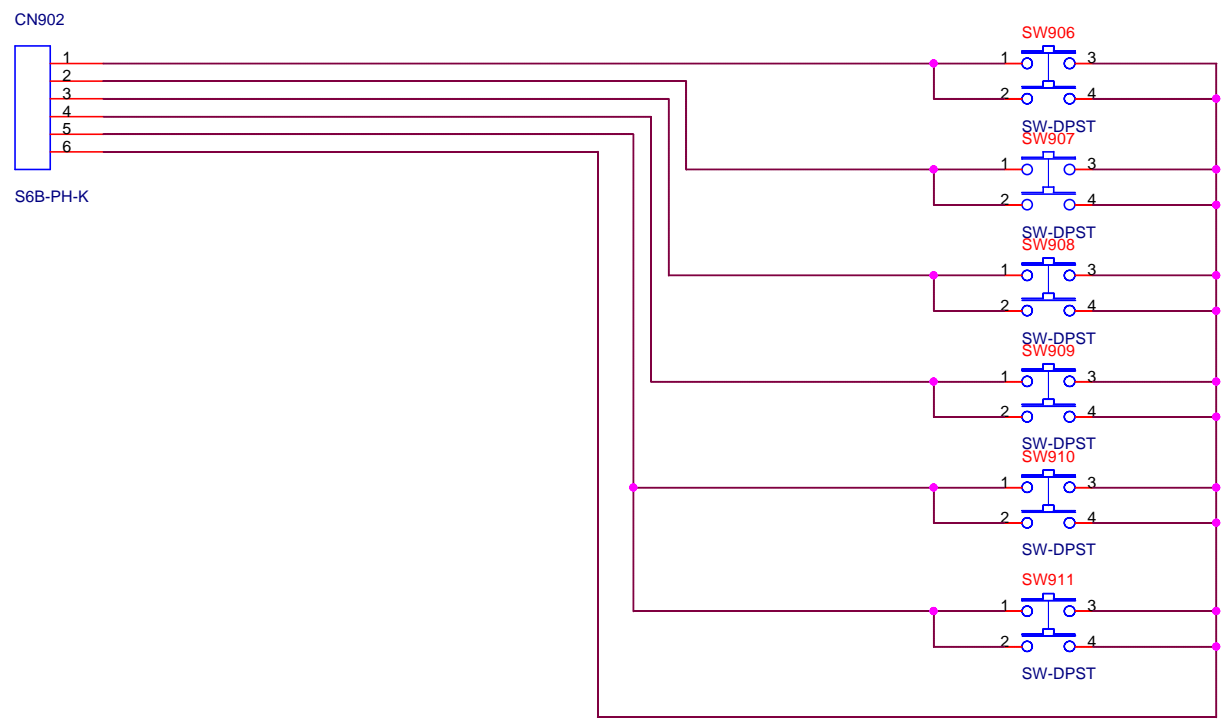
Foxlink Image Technologies Corporation.		
Title Power Key		
Size A4	Document Number DTF-520	Rev 2
Date: Friday, May 13, 2005	Sheet	1 of 1

Upper switch board



Foxlink Image Technologies Corporation.		
Title Upper switch		
Size A4	Document Number DTF-720	Rev 1
Date: Friday, April 01, 2005	Sheet 1 of 2	

Lower switch board



Foxlink Image Technologies Corporation.		
Title Down switch		
Size A4	Document Number DTF-720	Rev 1
Date: Friday, April 01, 2005	Sheet 1 of 2	