



# FCC TEST REPORT

**REPORT NO.:** RF130621D03  
**MODEL NO.:** CTH-300, CTH-300XXXXXXXX  
**FCC ID:** HV4CTH300  
**RECEIVED:** Jun. 21, 2013  
**TESTED:** Jul. 10, 2013  
**ISSUED:** Aug. 2, 2013

**APPLICANT:** Wacom Co., Ltd.

**ADDRESS:** 2-510-1 Toyonodai Kazo-shi, Saitama Japan  
349-1148

**ISSUED BY:** Bureau Veritas Consumer Products Services  
(H.K.) Ltd., Taoyuan Branch

**LAB LOCATION:** No. 47, 14th Ling, Chia Pau Vil., Lin Kou Dist.,  
New Taipei City, Taiwan, R.O.C.

This report should not be used by the client to claim product certification, approval, or endorsement by TAF or any government agencies.



This report is for your exclusive use. Any copying or replication of this report to or for any other person or entity, or use of our name or trademark, is permitted only with our prior written permission. This report sets forth our findings solely with respect to the test samples identified herein. The results set forth in this report are not indicative or representative of the quality or characteristics of the lot from which a test sample was taken or any similar or identical product unless specifically and expressly noted. Our report includes all of the tests requested by you and the results thereof based upon the information that you provided to us. You have 60 days from date of issuance of this report to notify us of any material error or omission caused by our negligence, provided, however, that such notice shall be in writing and shall specifically address the issue you wish to raise. A failure to raise such issue within the prescribed time shall constitute your unqualified acceptance of the completeness of this report, the tests conducted and the correctness of the report contents. Unless specific mention, the uncertainty of measurement has been explicitly taken into account to declare the compliance or non-compliance to the specification.

## Table of Contents

RELEASE CONTROL RECORD.....	3
1. CERTIFICATION .....	4
2. SUMMARY OF TEST RESULTS.....	5
2.1 MEASUREMENT UNCERTAINTY .....	5
3. GENERAL INFORMATION .....	6
3.1 GENERAL DESCRIPTION OF EUT.....	6
3.2 DESCRIPTION OF TEST MODES.....	7
3.2.1 TEST MODE APPLICABILITY AND TESTED CHANNEL DETAIL .....	8
3.3 DESCRIPTION OF SUPPORT UNITS .....	9
3.3.1 CONFIGURATION OF SYSTEM UNDER TEST .....	9
3.4 GENERAL DESCRIPTION OF APPLIED STANDARDS .....	10
4. TEST TYPES AND RESULTS .....	11
4.1 CONDUCTED EMISSION MEASUREMENT .....	11
4.2 RADIATED EMISSION AND BAND EDGE MEASUREMENT .....	11
4.2.1 LIMITS OF RADIATED EMISSION AND BAND EDGE MEASUREMENT .....	11
4.2.2 TEST INSTRUMENTS .....	12
4.2.3 TEST PROCEDURES.....	13
4.2.4 DEVIATION FROM TEST STANDARD .....	13
4.2.5 TEST SETUP .....	14
4.2.6 EUT OPERATING CONDITIONS.....	14
4.2.7 TEST RESULTS.....	15
5. PHOTOGRAPHS OF THE TEST CONFIGURATION.....	19
6. INFORMATION ON THE TESTING LABORATORIES .....	20
7. APPENDIX A – MODIFICATION RECORDERS FOR ENGINEERING CHANGES TO THE EUT BY THE LAB .....	21



A D T

## RELEASE CONTROL RECORD

ISSUE NO.	REASON FOR CHANGE	DATE ISSUED
RF130621D03	Original release	Aug. 2, 2013



# 1. CERTIFICATION

**PRODUCT:** Wireless Touch Pad With Stylus

**BRAND:** Wacom

**MODEL NO.:** CTH-300, CTH-300XXXXXXXX

(X may be alphanumeric / Symbol or blank)

**APPLICANT:** Wacom Co., Ltd.

**TESTED:** Jul. 10, 2013

**TEST SAMPLE:** MASS-PRODUCTION

**STANDARDS:** FCC Part 15, Subpart C (Section 15.249)

**ANSI C63.10-2009**

The above equipment has been tested by **Bureau Veritas Consumer Products Services (H.K.) Ltd., Taoyuan Branch**, and found compliance with the requirement of the above standards. The test record, data evaluation & Equipment Under Test (EUT) configurations represented herein are true and accurate accounts of the measurements of the sample's EMC characteristics under the conditions specified in this report.

**PREPARED BY :** Celia Chen , **DATE:** Aug. 2, 2013  
( Celia Chen / Senior Specialist )

**APPROVED BY :** Ken Liu , **DATE:** Aug. 2, 2013  
( Ken Liu / Senior Manager )

## 2. SUMMARY OF TEST RESULTS

The EUT has been tested according to the following specifications:

APPLIED STANDARD: FCC Part 15, Subpart C (Section 15.249)			
STANDARD PARAGRAPH	TEST TYPE	RESULT	REMARK
15.207	Conducted Emission Test	N/A	Power supply is 3.2Vdc from batteries
15.209 15.249 15.249 (d)	Radiated Emission Test Band Edge Measurement Limit: 50dB less than the peak value of fundamental frequency or meet radiated emission limit in section 15.209	PASS	Meet the requirement of limit. Minimum passing margin is -10.5dB at 376.29MHz.

### 2.1 MEASUREMENT UNCERTAINTY

Where relevant, the following measurement uncertainty levels have been estimated for tests performed on the EUT as specified in CISPR 16-4-2:

This uncertainty represents an expanded uncertainty expressed at approximately the 95% confidence level using a coverage factor of  $k=2$ .

Measurement	Frequency	Uncertainty
Radiated emissions	30MHz ~ 1GHz	4.30 dB
	Above 1GHz	3.36 dB

### 3. GENERAL INFORMATION

#### 3.1 GENERAL DESCRIPTION OF EUT

<b>EUT</b>	Wireless Touch Pad With Stylus
<b>MODEL NO.</b>	CTH-300, CTH-300XXXXXXXX
<b>POWER SUPPLY</b>	3.2Vdc, 47mA from batteries
<b>MODULATION TYPE</b>	GFSK
<b>OPERATING FREQUENCY</b>	2402MHz ~ 2479MHz
<b>NUMBER OF CHANNEL</b>	78
<b>ANTENNA TYPE</b>	Chip antenna with -1.20dBi gain
<b>DATA CABLE</b>	N/A
<b>I/O PORT</b>	N/A
<b>ACCESSORY DEVICES</b>	Refer to note below

**NOTE:**

1. The EUT is a Wireless Touch Pad With Stylus.
2. The EUT contains following accessory devices:

<b>Product</b>	<b>Brand</b>	<b>Model</b>
Stylus	Wacom	UP-7721

3. All models are electrically identical, different model names are for marketing purpose.

<b>MODEL NO.</b>
CTH-300
CTH-300XXXXXXXX
(X may be alphanumeric / Symbol or blank)

4. The above EUT information is declared by the manufacturer and for more detailed features description, please refer to the manufacturer's specifications or User's Manual.

### 3.2 DESCRIPTION OF TEST MODES

78 channels are provided to this EUT:

CHANNEL	FREQ. (MHz)	CHANNEL	FREQ. (MHz)	CHANNEL	FREQ. (MHz)	CHANNEL	FREQ. (MHz)
0	2402	20	2422	40	2442	60	2462
1	2403	21	2423	41	2443	61	2463
2	2404	22	2424	42	2444	62	2464
3	2405	23	2425	43	2445	63	2465
4	2406	24	2426	44	2446	64	2466
5	2407	25	2427	45	2447	65	2467
6	2408	26	2428	46	2448	66	2468
7	2409	27	2429	47	2449	67	2469
8	2410	28	2430	48	2450	68	2470
9	2411	29	2431	49	2451	69	2471
10	2412	30	2432	50	2452	70	2472
11	2413	31	2433	51	2453	71	2473
12	2414	32	2434	52	2454	72	2474
13	2415	33	2435	53	2455	73	2475
14	2416	34	2436	54	2456	74	2476
15	2417	35	2437	55	2457	75	2477
16	2418	36	2438	56	2458	76	2478
17	2419	37	2439	57	2459	77	2479
18	2420	38	2440	58	2460		
19	2421	39	2441	59	2461		

### 3.2.1 TEST MODE APPLICABILITY AND TESTED CHANNEL DETAIL

EUT CONFIGURE MODE	APPLICABLE TO				DESCRIPTION
	PLC	RE <sup>3</sup> 1G	RE<1G	BM	
-	Note	√	√	√	-

Where **PLC**: Power Line Conducted Emission      **RE<sup>3</sup>1G**: Radiated Emission above 1GHz  
**RE<1G**: Radiated Emission below 1GHz      **BM**: Bandedge Measurement

**NOTE:** No need to concern of Conducted Emission due to the EUT is powered by batteries

#### RADIATED EMISSION TEST (ABOVE 1 GHz):

- Pre-Scan has been conducted to determine the worst-case mode from all possible combinations between available modulations axis and antenna ports (if EUT with antenna diversity architecture).
- Following channel(s) was (were) selected for the final test as listed below.

EUT CONFIGURE MODE	AVAILABLE CHANNEL	TESTED CHANNEL	MODULATION TYPE
-	0 to 77	0, 39, 77	GFSK

#### RADIATED EMISSION TEST (BELOW 1 GHz):

- Pre-Scan has been conducted to determine the worst-case mode from all possible combinations between available modulations axis and antenna ports (if EUT with antenna diversity architecture).
- Following channel(s) was (were) selected for the final test as listed below.

EUT CONFIGURE MODE	AVAILABLE CHANNEL	TESTED CHANNEL	MODULATION TYPE
-	0 to 77	0	GFSK

#### BANDEDGE MEASUREMENT:

- Pre-Scan has been conducted to determine the worst-case mode from all possible combinations between available modulations and antenna ports (if EUT with antenna diversity architecture).
- Following channel(s) was (were) selected for the final test as listed below.

EUT CONFIGURE MODE	AVAILABLE CHANNEL	TESTED CHANNEL	MODULATION TYPE
-	0 to 77	0, 77	GFSK

#### TEST CONDITION:

APPLICABLE TO	ENVIRONMENTAL CONDITIONS	INPUT POWER	TESTED BY
RE<1G	26deg. C, 75% RH	3.2Vdc	Dalen Dai
RE <sup>3</sup> 1G	26deg. C, 75% RH	3.2Vdc	Dalen Dai
BM	26deg. C, 75% RH	3.2Vdc	Dalen Dai



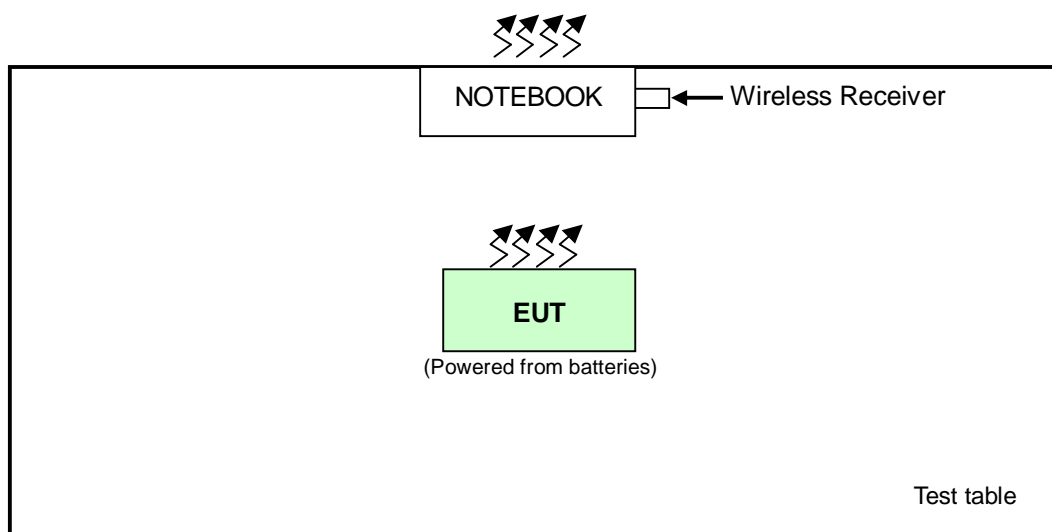
### 3.3 DESCRIPTION OF SUPPORT UNITS

The EUT has been tested as an independent unit together with other necessary accessories or support units. The following support units or accessories were used to form a representative test configuration during the tests.

NO.	PRODUCT	BRAND	MODEL NO.	SERIAL NO.	FCC ID
1	NOTEBOOK COMPUTER	DELL	PP27L	8SNZ12S	FCC DoC Approved
2	Wireless Receiver	Wacom	INF-A081	N/A	FCC DoC Approved

**Note:** The support unit 2 was provided by client.

#### 3.3.1 CONFIGURATION OF SYSTEM UNDER TEST





### **3.4 GENERAL DESCRIPTION OF APPLIED STANDARDS**

The EUT is a RF Product. According to the specifications of the manufacturer, it must comply with the requirements of the following standards:

**FCC Part 15, Subpart C (Section 15.249)**

ANSI C63.10-2009

All test items have been performed and recorded as per the above standards.

**NOTE:** The product has been verified to comply with the requirements of FCC Part 15, Subpart B, Class B (DoC). The test report has been issued separately.

## 4. TEST TYPES AND RESULTS

### 4.1 CONDUCTED EMISSION MEASUREMENT

N/A

### 4.2 RADIATED EMISSION AND BAND EDGE MEASUREMENT

#### 4.2.1 LIMITS OF RADIATED EMISSION AND BAND EDGE MEASUREMENT

The field strength of emissions from intentional radiators operated within these frequency bands shall comply with the following

Fundamental Frequency	Field Strength of Fundamental (millivolts/meter)	Field Strength of Harmonics (microvolts/meter)
902 ~ 928 MHz	50	500
2400 ~ 2483.5 MHz	50	500
5725 ~ 5875 MHz	50	500
24 ~ 24.25 GHz	250	2500

Emissions radiated outside of the specified frequency bands, except for harmonics, shall be attenuated by at least 50 dB below the level of the fundamental or to the general radiated emission limits as below table, whichever is the lesser attenuation

Frequencies (MHz)	Field strength (microvolts/meter)	Measurement distance (meters)
0.009 ~ 0.490	2400/F(kHz)	300
0.490 ~ 1.705	24000/F(kHz)	30
1.705 ~ 30.0	30	30
30 ~ 88	100	3
88 ~ 216	150	3
216 ~ 960	200	3
Above 960	500	3

**NOTE:**

1. The lower limit shall apply at the transition frequencies.
2. Emission level (dBuV/m) = 20 log Emission level (uV/m).
3. For frequencies above 1000MHz, the field strength limits are based on average detector, however, the peak field strength of any emission shall not exceed the maximum permitted average limits, specified above by more than 20dB under any condition of modulation.



## 4.2.2 TEST INSTRUMENTS

DESCRIPTION & MANUFACTURER	MODEL NO.	SERIAL NO.	CALIBRATED DATE	CALIBRATED UNTIL
HP Preamplifier	8447D	2432A03504	Feb. 26, 2013	Feb. 25, 2014
HP Preamplifier	8449B	3008A01201	Feb. 26, 2013	Feb. 25, 2014
Agilent TEST RECEIVER	N9038A	MY51210129	Jan. 03, 2013	Jan. 02, 2014
Schwarzbeck Antenna	VULB 9168	137	Mar. 20, 2013	Mar. 19, 2014
Schwarzbeck Antenna	VHBA 9123	480	May 29, 2013	May 28, 2014
ADT. Turn Table	TT100	0306	NA	NA
ADT. Tower	AT100	0306	NA	NA
Software	ADT_Radiated_V 7.6.15.9.2	NA	NA	NA
SUHNER RF cable	SF102	CABLE-CH6	Aug. 19, 2012	Aug. 18, 2013
Schwarzbeck Horn Antenna	BBHA 9120-D1	D130	May 13, 2013	May 12, 2014
Highpass filter Wainwright Instruments	WHK 3.1/18G-10SS	SN 8	NA	NA

- NOTE:** 1. The calibration interval of the above test instruments is 12 months. And the calibrations are traceable to NML/ROC and NIST/USA.
2. The horn antenna and HP preamplifier (model: 8449B) are used only for the measurement of emission frequency above 1GHz if tested.
3. The test was performed in Chamber No. 6.
4. The Industry Canada Reference No. IC 7450E-6.
5. The FCC Site Registration No. is 447212.

### 4.2.3 TEST PROCEDURES

- a. The EUT was placed on the top of a rotating table 0.8 meters above the ground at a 3 meter semi-anechoic chamber. The table was rotated 360 degrees to determine the position of the highest radiation.
- b. The EUT was set 3 meters away from the interference-receiving antenna, which was mounted on the top of a variable-height antenna tower.
- c. The height of antenna is varied from one meter to four meters above the ground to determine the maximum value of the field strength. Both horizontal and vertical polarizations of the antenna are set to make the measurement.
- d. For each suspected emission, the EUT was arranged to its worst case and then the antenna was tuned to heights from 1 meter to 4 meters and the rotatable table was turned from 0 degrees to 360 degrees to find the maximum reading.
- e. The test-receiver system was set to Peak Detect Function and Specified Bandwidth with Maximum Hold Mode.
- f. If the emission level of the EUT in peak mode was lower than the limit specified, then testing could be stopped and the peak values of the EUT would be reported. Otherwise the emissions would be re-tested one by one using peak, quasi-peak or average method as specified and then reported in a data sheet.

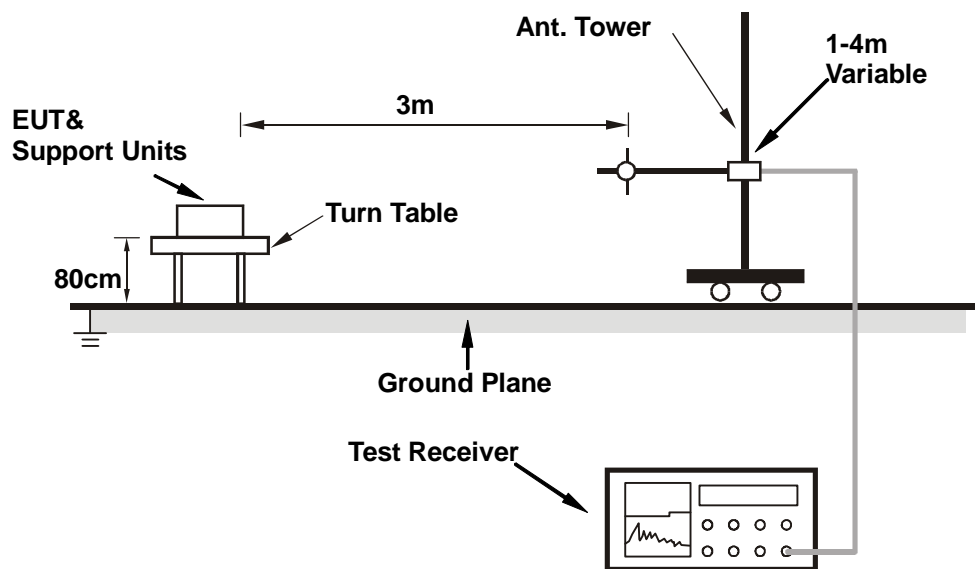
**NOTE:**

1. The resolution bandwidth and video bandwidth of test receiver/spectrum analyzer is 120kHz for Quasi-peak detection at frequency below 1GHz.
2. The resolution bandwidth of test receiver/spectrum analyzer is 1MHz and video bandwidth is 3MHz for Peak detection at frequency above 1GHz.
3. All modes of operation were investigated and the worst-case emissions are reported.

### 4.2.4 DEVIATION FROM TEST STANDARD

No deviation.

## 4.2.5 TEST SETUP



For the actual test configuration, please refer to the attached file (Test Setup Photo).

## 4.2.6 EUT OPERATING CONDITIONS

Set the EUT under transmission/receiving condition continuously at specific channel frequency.

## 4.2.7 TEST RESULTS

### ABOVE 1GHz DATA

<b>CHANNEL</b>	TX Channel 0	<b>DETECTOR FUNCTION</b>	Peak (PK)
<b>FREQUENCY RANGE</b>	1GHz ~ 25GHz		Average (AV)

ANTENNA POLARITY & TEST DISTANCE: HORIZONTAL AT 3 M								
NO.	FREQ. (MHz)	EMISSION LEVEL (dBuV/m)	LIMIT (dBuV/m)	MARGIN (dB)	ANTENNA HEIGHT (m)	TABLE ANGLE (Degree)	RAW VALUE (dBuV)	CORRECTION FACTOR (dB/m)
1	2390.00	41.8 PK	74.0	-32.2	1.00 H	307	45.57	-3.75
2	2390.00	29.7 AV	54.0	-24.3	1.00 H	307	33.49	-3.75
3	2400.00	49.5 PK	74.0	-24.5	1.00 H	307	53.21	-3.70
4	2400.00	39.0 AV	54.0	-15.1	1.00 H	307	42.65	-3.70
5	*2402.00	77.3 PK	114.0	-36.7	1.00 H	307	80.99	-3.69
6	*2402.00	76.3 AV	94.0	-17.7	1.00 H	307	80.01	-3.69
7	4804.00	44.6 PK	74.0	-29.4	1.05 H	213	40.87	3.70
8	4804.00	33.6 AV	54.0	-20.4	1.05 H	213	29.93	3.70
ANTENNA POLARITY & TEST DISTANCE: VERTICAL AT 3 M								
NO.	FREQ. (MHz)	EMISSION LEVEL (dBuV/m)	LIMIT (dBuV/m)	MARGIN (dB)	ANTENNA HEIGHT (m)	TABLE ANGLE (Degree)	RAW VALUE (dBuV)	CORRECTION FACTOR (dB/m)
1	2390.00	41.2 PK	74.0	-32.8	1.05 V	265	44.97	-3.75
2	2390.00	29.5 AV	54.0	-24.5	1.05 V	265	33.29	-3.75
3	2400.00	49.2 PK	74.0	-24.8	1.05 V	265	52.91	-3.70
4	2400.00	37.5 AV	54.0	-16.5	1.05 V	265	41.19	-3.70
5	*2402.00	75.1 PK	114.0	-38.9	1.05 V	265	78.76	-3.69
6	*2402.00	74.4 AV	94.0	-19.6	1.05 V	265	78.08	-3.69
7	4804.00	43.2 PK	74.0	-30.8	1.00 V	137	39.49	3.70
8	4804.00	32.6 AV	54.0	-21.4	1.00 V	137	28.94	3.70

#### REMARKS:

1. Emission Level(dBuV/m) = Raw Value(dBuV) + Correction Factor(dB/m)
2. Correction Factor(dB/m) = Antenna Factor(dB/m) + Cable Factor(dB) – Pre-Amplifier Factor(dB)
3. The other emission levels were very low against the limit.
4. Margin value = Emission Level – Limit value
5. “ \* “: Fundamental frequency.



A D T

<b>CHANNEL</b>	TX Channel 39	<b>DETECTOR FUNCTION</b>	Peak (PK)
<b>FREQUENCY RANGE</b>	1GHz ~ 25GHz		Average (AV)

<b>ANTENNA POLARITY &amp; TEST DISTANCE: HORIZONTAL AT 3 M</b>								
NO.	FREQ. (MHz)	EMISSION LEVEL (dBuV/m)	LIMIT (dBuV/m)	MARGIN (dB)	ANTENNA HEIGHT (m)	TABLE ANGLE (Degree)	RAW VALUE (dBuV)	CORRECTION FACTOR (dB/m)
1	*2441.00	77.3 PK	114.0	-36.7	1.22 H	356	80.81	-3.51
2	*2441.00	75.7 AV	94.0	-18.3	1.22 H	356	79.25	-3.51
3	4882.00	44.4 PK	74.0	-29.6	1.03 H	229	40.61	3.76
4	4882.00	33.3 AV	54.0	-20.7	1.03 H	229	29.58	3.76

<b>ANTENNA POLARITY &amp; TEST DISTANCE: VERTICAL AT 3 M</b>								
NO.	FREQ. (MHz)	EMISSION LEVEL (dBuV/m)	LIMIT (dBuV/m)	MARGIN (dB)	ANTENNA HEIGHT (m)	TABLE ANGLE (Degree)	RAW VALUE (dBuV)	CORRECTION FACTOR (dB/m)
1	*2441.00	74.8 PK	114.0	-39.2	1.07 V	263	78.31	-3.51
2	*2441.00	74.0 AV	94.0	-20.0	1.07 V	263	77.52	-3.51
3	4882.00	43.1 PK	74.0	-30.9	1.00 V	145	39.36	3.76
4	4882.00	32.7 AV	54.0	-21.4	1.00 V	145	28.89	3.76

**REMARKS:**

1. Emission Level(dBuV/m) = Raw Value(dBuV) + Correction Factor(dB/m)
2. Correction Factor(dB/m) = Antenna Factor(dB/m) + Cable Factor(dB) – Pre-Amplifier Factor(dB)
3. The other emission levels were very low against the limit.
4. Margin value = Emission Level – Limit value
5. “ \* “: Fundamental frequency.





A D T

<b>CHANNEL</b>	TX Channel 77	<b>DETECTOR FUNCTION</b>	Peak (PK)
<b>FREQUENCY RANGE</b>	1GHz ~ 25GHz		Average (AV)

**ANTENNA POLARITY & TEST DISTANCE: HORIZONTAL AT 3 M**

NO.	FREQ. (MHz)	EMISSION LEVEL (dBuV/m)	LIMIT (dBuV/m)	MARGIN (dB)	ANTENNA HEIGHT (m)	TABLE ANGLE (Degree)	RAW VALUE (dBuV)	CORRECTION FACTOR (dB/m)
1	*2479.00	76.7 PK	114.0	-37.3	1.18 H	289	80.03	-3.34
2	*2479.00	75.9 AV	94.0	-18.1	1.18 H	289	79.26	-3.34
3	2483.50	50.8 PK	74.0	-23.2	1.18 H	289	54.11	-3.32
4	2483.50	28.6 AV	54.0	-25.4	1.18 H	289	31.93	-3.32
5	4958.00	43.7 PK	74.0	-30.3	1.02 H	196	39.97	3.70
6	4958.00	32.9 AV	54.0	-21.1	1.02 H	196	29.18	3.70

**ANTENNA POLARITY & TEST DISTANCE: VERTICAL AT 3 M**

NO.	FREQ. (MHz)	EMISSION LEVEL (dBuV/m)	LIMIT (dBuV/m)	MARGIN (dB)	ANTENNA HEIGHT (m)	TABLE ANGLE (Degree)	RAW VALUE (dBuV)	CORRECTION FACTOR (dB/m)
1	*2479.00	75.2 PK	114.0	-38.9	1.05 V	264	78.49	-3.34
2	*2479.00	74.6 AV	94.0	-19.4	1.05 V	264	77.98	-3.34
3	2483.50	49.2 PK	74.0	-24.8	1.05 V	264	52.53	-3.32
4	2483.50	28.5 AV	54.0	-25.5	1.05 V	264	31.79	-3.32
5	4958.00	41.9 PK	74.0	-32.1	1.00 V	129	38.24	3.70
6	4958.00	31.8 AV	54.0	-22.2	1.00 V	129	28.07	3.70

**REMARKS:**

1. Emission Level(dBuV/m) = Raw Value(dBuV) + Correction Factor(dB/m)
2. Correction Factor(dB/m) = Antenna Factor(dB/m) + Cable Factor(dB) – Pre-Amplifier Factor(dB)
3. The other emission levels were very low against the limit.
4. Margin value = Emission Level – Limit value
5. “ \* “: Fundamental frequency.



A D T

### BELOW 1GHz WORST-CASE DATA

<b>CHANNEL</b>	TX Channel 0	<b>DETECTOR FUNCTION</b>	Quasi-Peak
<b>FREQUENCY RANGE</b>	Below 1000MHz		

ANTENNA POLARITY & TEST DISTANCE: HORIZONTAL AT 3 M								
NO.	FREQ. (MHz)	EMISSION LEVEL (dBuV/m)	LIMIT (dBuV/m)	MARGIN (dB)	ANTENNA HEIGHT (m)	TABLE ANGLE (Degree)	RAW VALUE (dBuV)	CORRECTION FACTOR (dB/m)
1	198.78	22.3 QP	43.5	-21.2	1.63 H	214	38.17	-15.87
2	376.29	35.5 QP	46.0	-10.5	1.27 H	106	45.42	-9.93
3	391.81	35.3 QP	46.0	-10.7	1.93 H	102	45.00	-9.71
4	775.93	34.2 QP	46.0	-11.8	1.56 H	85	36.29	-2.12
5	792.42	34.1 QP	46.0	-11.9	1.71 H	98	36.11	-2.00
6	888.45	33.6 QP	46.0	-12.4	1.00 H	255	34.52	-0.88
ANTENNA POLARITY & TEST DISTANCE: VERTICAL AT 3 M								
NO.	FREQ. (MHz)	EMISSION LEVEL (dBuV/m)	LIMIT (dBuV/m)	MARGIN (dB)	ANTENNA HEIGHT (m)	TABLE ANGLE (Degree)	RAW VALUE (dBuV)	CORRECTION FACTOR (dB/m)
1	117.32	32.4 QP	43.5	-11.1	1.33 V	200	48.25	-15.86
2	196.84	28.6 QP	43.5	-14.9	1.85 V	217	44.38	-15.79
3	266.68	28.0 QP	46.0	-18.0	1.53 V	94	40.72	-12.75
4	391.81	29.7 QP	46.0	-16.3	1.07 V	10	39.38	-9.71
5	628.49	29.5 QP	46.0	-16.5	1.92 V	248	34.15	-4.66
6	792.42	29.7 QP	46.0	-16.3	1.74 V	181	31.67	-2.00

#### REMARKS:

1. Emission Level(dBuV/m) = Raw Value(dBuV) + Correction Factor(dB/m)
2. Correction Factor(dB/m) = Antenna Factor(dB/m) + Cable Factor(dB) – Pre-Amplifier Factor(dB)
3. The other emission levels were very low against the limit.
4. Margin value = Emission Level – Limit value



## 5. PHOTOGRAPHS OF THE TEST CONFIGURATION

Please refer to the attached file (Test Setup Photo).



## 6. INFORMATION ON THE TESTING LABORATORIES

We, Bureau Veritas Consumer Products Services (H.K.) Ltd., Taoyuan Branch, were founded in 1988 to provide our best service in EMC, Radio, Telecom and Safety consultation. Our laboratories are accredited and approved according to ISO/IEC 17025.

If you have any comments, please feel free to contact us at the following:

**Linko EMC/RF Lab**

Tel: 886-2-26052180

Fax: 886-2-26051924

**Hsin Chu EMC/RF Lab**

Tel: 886-3-5935343

Fax: 886-3-5935342

**Hwa Ya EMC/RF/Safety/Telecom Lab**

Tel: 886-3-3183232

Fax: 886-3-3270892

**Email:** [service.adt@tw.bureauveritas.com](mailto:service.adt@tw.bureauveritas.com)

**Web Site:** [www.bureauveritas-adt.com](http://www.bureauveritas-adt.com)

The address and road map of all our labs can be found in our web site also.

## **7. APPENDIX A – MODIFICATION RECORDERS FOR ENGINEERING CHANGES TO THE EUT BY THE LAB**

No modifications were made to the EUT by the lab during the test.

**---END---**