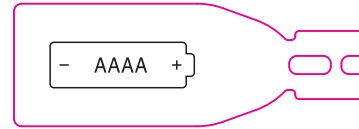
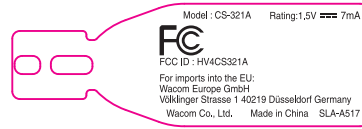
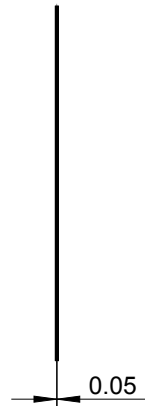
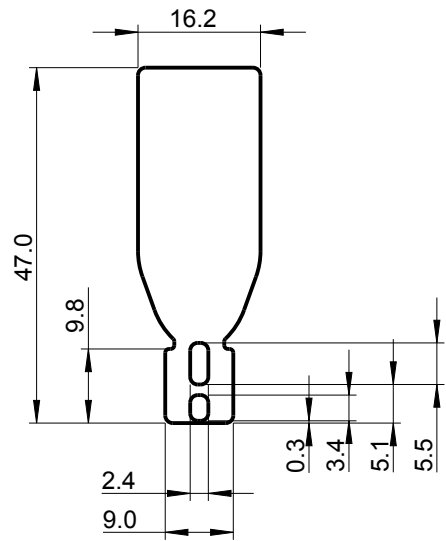


REV. LTR	DATE	UPDATE DESCRIPTION	REMARK	SIGN	APPROVER



SAMPLE

REV. LTR	DATE	3	2	1	APPROVER
			UPDATE DESCRIPTION	REMARK	SIGN



ADHESIVE AREA

- NOTE
1. MATERIAL: MYLAR
  2. COLOR: WHITE
  3. THICKNESS :0.05mm
  4. NO DIMENSION PREVAIL IN 3D FILES

MATERIAL(SPEC)		TBD		QUANTITY/SET	1 PC.		PEGATRON Corporation	
FINISH		TBD		SCALE	1/1		DESCRIPTION: TBD	
SELECT V			V			UNIT	PART NAME: TBD	
DIM	TOL	A	B	C	D	EXTRA	M/M	
~8	± 0.03	± 0.05	± 0.10	± 0.20			SHEET	
8-25	± 0.05	± 0.08	± 0.20	± 0.30			MODEL NO.:	DRAWIN NO.:
25-80	± 0.08	± 0.12	± 0.30	± 0.40			TBD	TBD
80-250	± 0.12	± 0.20	± 0.40	± 0.50			DESIGNED:	CHECKED:
250~	± 0.20	± 0.30	± 0.50	± 0.60			TBD	APPROVED:

## CS-321A Label Location

